



# Toftejorg TZ-75 Rotary Jet Head - Portable

Fast, Effective Impact Cleaning

## Application

The Toftejorg TZ-75 rotary jet head provides 3D indexed impact cleaning over a defined time period. It is automatic and represents a guaranteed means of achieving quality assurance from cleaning tanks. Storage and transportation tanks between 1,000 and 5,000 m<sup>3</sup>. Used in petro-chemical and chemical processing industries.

## Working principle

The flow of the cleaning fluid makes the nozzles perform a geared rotation around the vertical and horizontal axis. In the first cycle, the nozzles lay out a coarse pattern on the tank surface. The following cycles make the pattern gradually more dense until a full pattern is reached after 4 cycles.



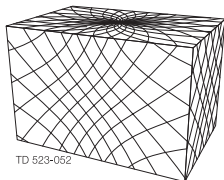
## TECHNICAL DATA

Lubricant: . . . . . Self-lubricating with the cleaning fluid  
 Standard Surface finish: . . . . . Ra 0.5µm exterior  
 Flow rate: . . . . . 18-48 m<sup>3</sup>/hour

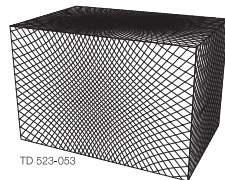
### Pressure

Working pressure: . . . . . 5 - 12 bar  
 Recommended pressure: . . . . . 5 - 10 bar

### Cleaning Pattern



First cycle



Full pattern

## Certificates

2.1 material certificate and ATEX.

## PHYSICAL DATA

### Materials

316L (UNS S31603), Duplex steel (UNS S21800), PTFE, PVDF, Carbon, EFTE

### Temperature

Max. working temperature: . . . . . 95°C

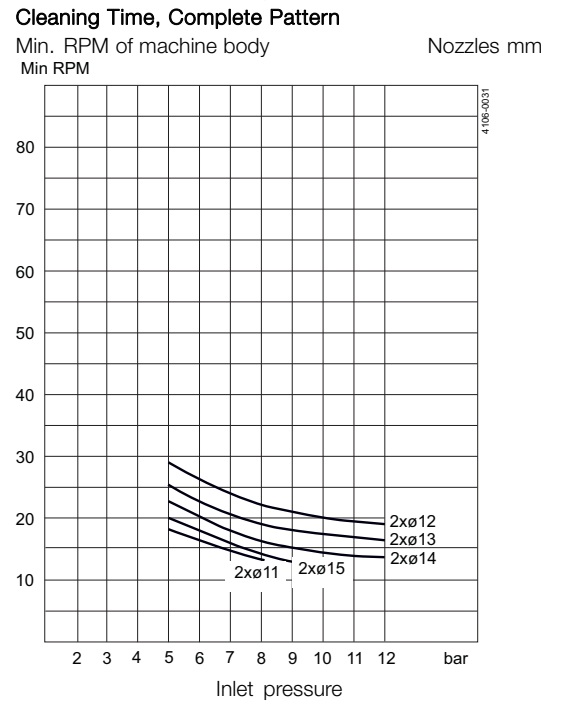
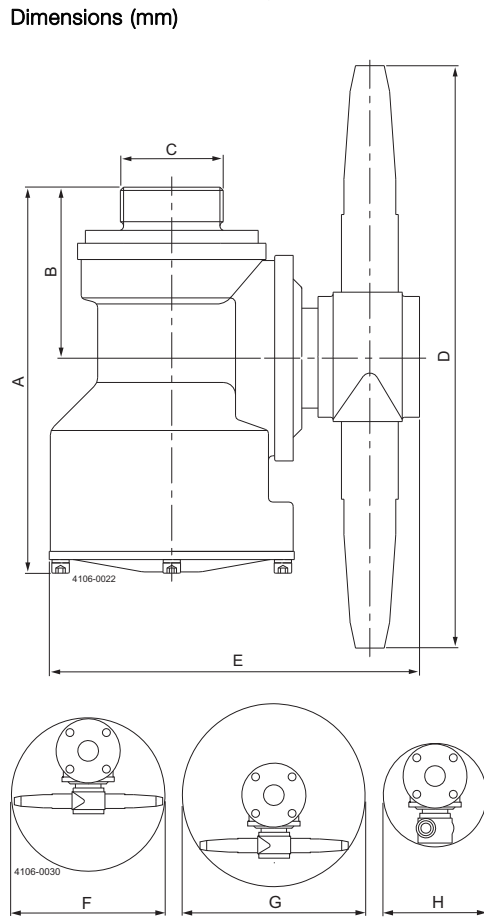
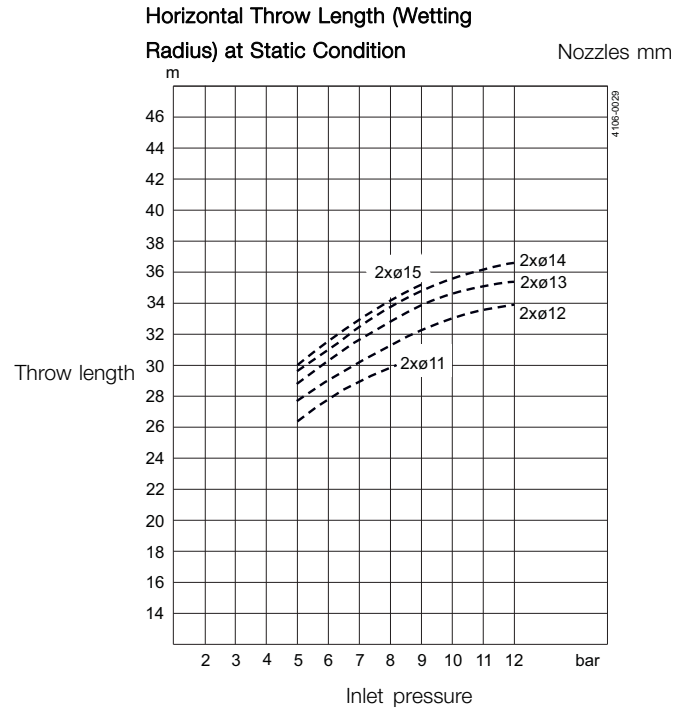
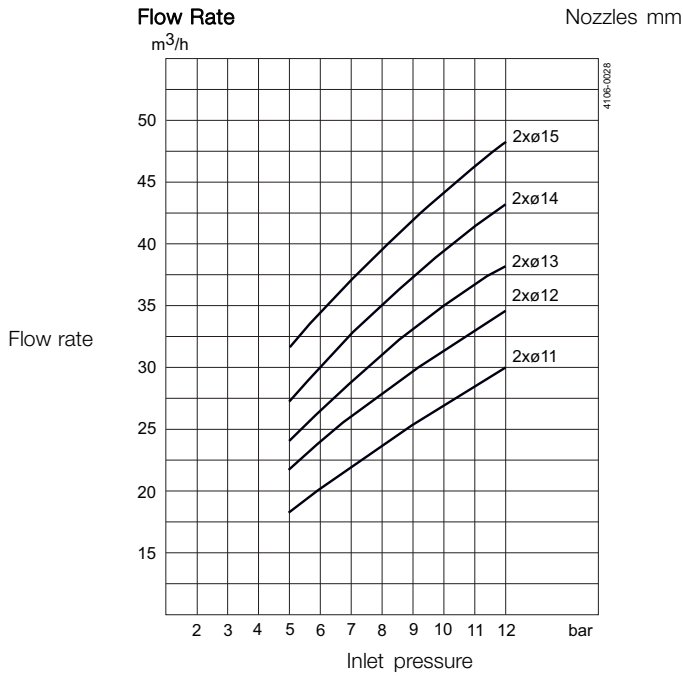
Weight . . . . . 11.3 kg

### Connections

Standard thread: . . . . . 2" Rp (BSP) / 2" NPT

### Options

Optional hose saddle, deck cover plate, hose winch etc. are available.



A	B	C	D	E	F	G	H
120	250	2 RP (BSP) NPT	337	220	ø343	ø424	ø223

Alfa Laval reserves the right to change specifications without prior notification.

---

**How to contact Alfa Laval**

Contact details for all countries are continually updated on our website. Please visit [www.alfalaval.com](http://www.alfalaval.com) to access the information direct.