



Alfa Laval T-82P Rotary Jet Head - Portable

Fast, Effective Impact Cleaning

Application

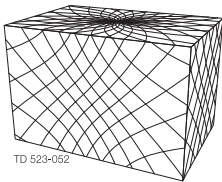
The Toftejorg T-82 rotary jet head provides 3D indexed impact cleaning over a defined time period. It is automatic and represents a guaranteed means of achieving quality assurance from cleaning tanks. Storage and transportation tanks up to 3,000 m³ (800,000 US gallons). Used in petrochemicals and chemical processing industries. The T-82 is grease lubricated (FDA approved) and designed to clean tanks in a rough environment.

Sizing/selection and installation drawing are available in Alfa Laval CAS tool for Tank cleaning equipment.

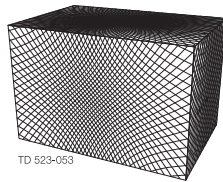
Working principle

The flow of the cleaning fluid makes the nozzles perform a geared rotation around the vertical and horizontal axis. In the first cycle, the nozzles lay out a coarse pattern on the tank surface. The following cycles make the pattern gradually more dense until a full pattern is reached after 4 cycles.

Cleaning Pattern



First cycle



Full pattern

Materials

1.4404 (316L)

Technical Data

Weight:	7.0 kg (15.4 lbs)
Lubricant:	Grease-lubricating (FDA approved)
Working pressure:	5 - 12 bar (72 - 174 psi)
Recommended pressure:	5 - 10 bar (72 - 145 psi)
Flow rate:	8-23 m ³ /hour
Max. working temperature:	78 °C (173 °F)
Standard thread:	1 1/2" Rp (BSP) / 1 1/2" NPT

Certificate:

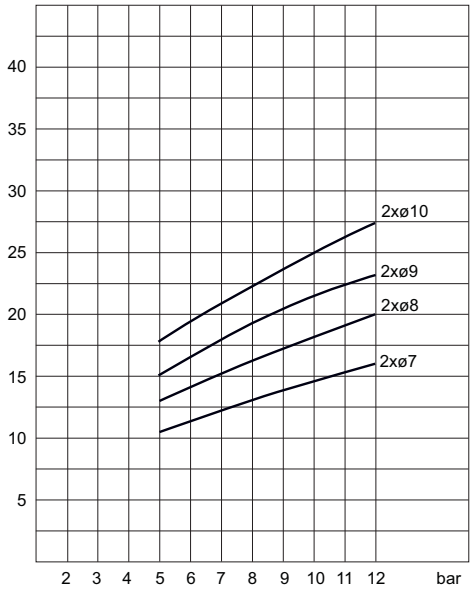
2.1

Options

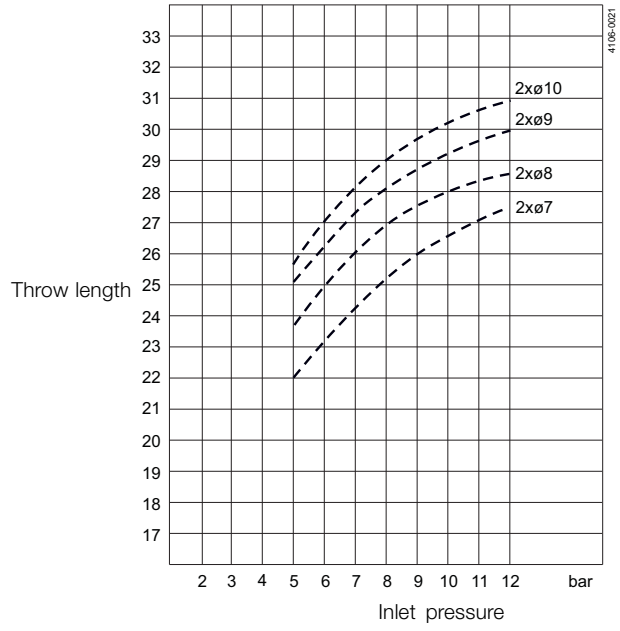
Hose saddle, deck cover plate, hose winch extension pipe etc. are available.



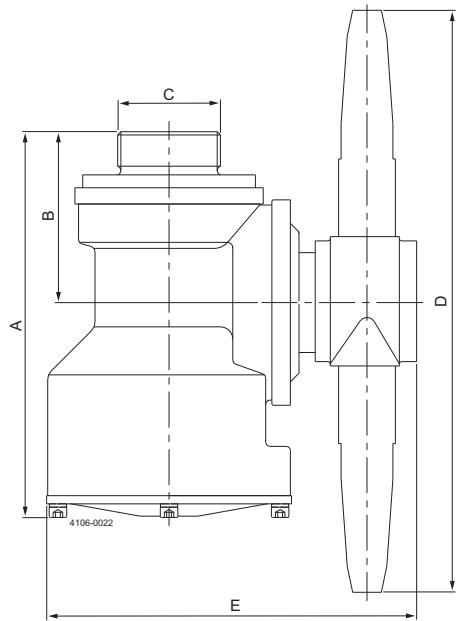
Flow Rate
m³/h



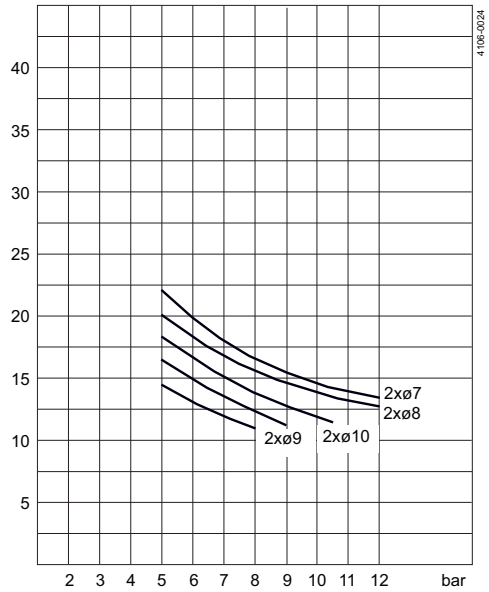
Horizontal Throw Length
(Wetting radius) at Static Conditions



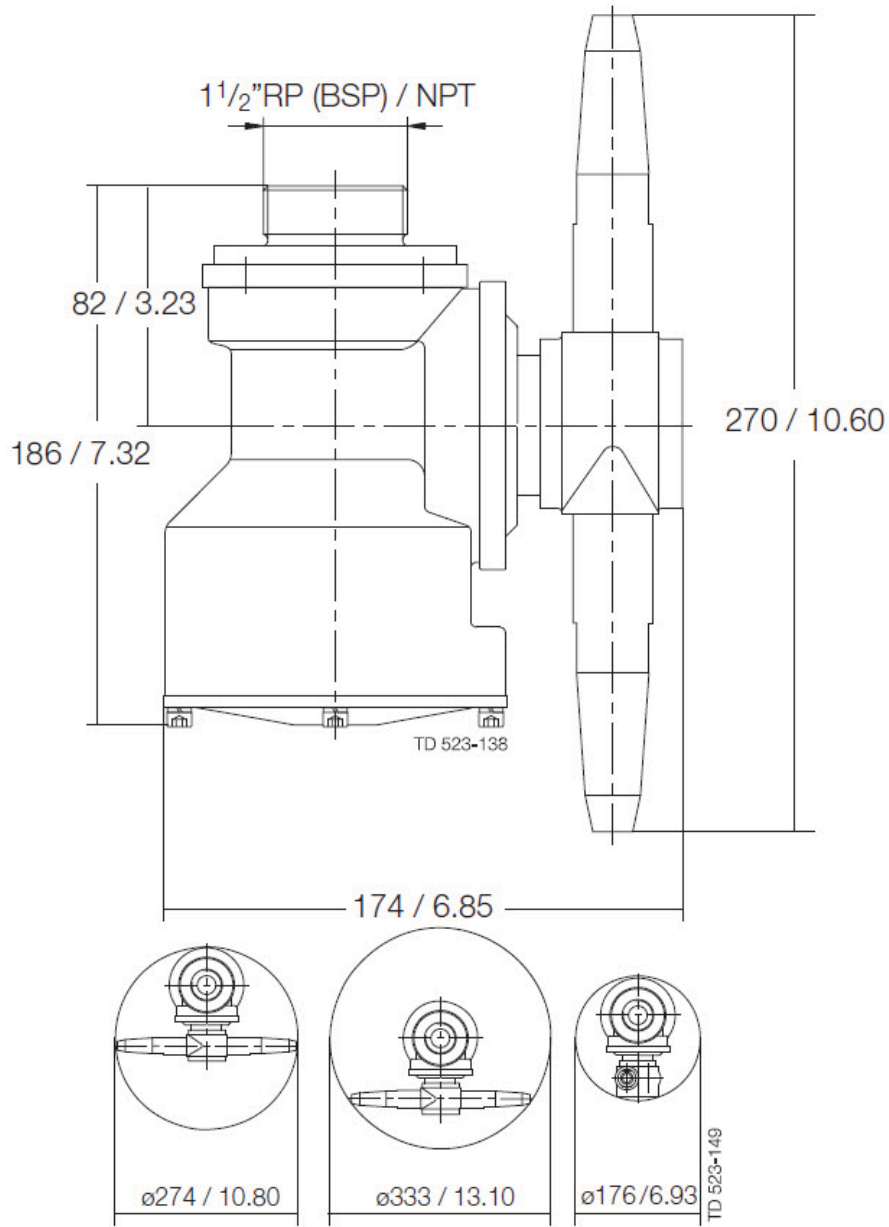
Dimensions (mm / inch)



Cleaning Time, Complete Pattern
Min. RPM of machine body



ire



Alfa Laval reserves the right to change specifications without prior notification.

How to contact Alfa Laval

Contact details for all countries
are continually updated on our website.
Please visit www.alfalaval.com to
access the information direct.