

# Self Priming Centrifugal Pump

*Super*  
**T SERIES**  
VARIOUS PATENTS APPLY

## Model T4B65S-B

### Size 4" x 4"



#### PUMP SPECIFICATIONS

**Size:** 4" x 4" (101 mm x 101 mm) NPT - Female.

**Casing:** Stainless Steel CD4MCu.

Maximum Operating Pressure 97 psi (669 kPa).\*

**Semi-Open Type, Five Vane Impeller:** Stainless Steel CD4MCu.

Handles 13/16" (20,6 mm) Diameter Spherical Solids.

**Impeller Shaft:** Stainless Steel 17-4 PH.

**Replaceable Wear Plate:** Stainless Steel CD4MCu.

**Removable Adjustable Cover Plate:** Stainless Steel CD4MCu;  
54 lbs. (24 kg).

**Flap Valve:** Fluorocarbon (DuPont Viton® or Equivalent)  
w/Stainless Steel Reinforcing.

**Seal Plate:** Stainless Steel CD4MCu.

**Bearing Housing:** Stainless Steel CD4MCu.

**Radial Bearing:** Open Single Row Ball.

**Thrust Bearing:** Open Double Row Ball.

**Bearing and Seal Cavity Lubrication:** SAE No. 30 Non-Detergent Oil.

**Suction Flange:** Stainless Steel CD4MCu.

**Discharge Flange:** Stainless Steel 316.

**Gaskets:** Fluorocarbon (DuPont Viton® or Equivalent) and PTFE.

**O-Rings:** Fluorocarbon (DuPont Viton® or Equivalent).

**Hardware:** Stainless Steel 316.

**Pressure Relief Valve:** Stainless Steel 316.

**Bearing and Seal Cavity Oil Level Sight Gauges.**

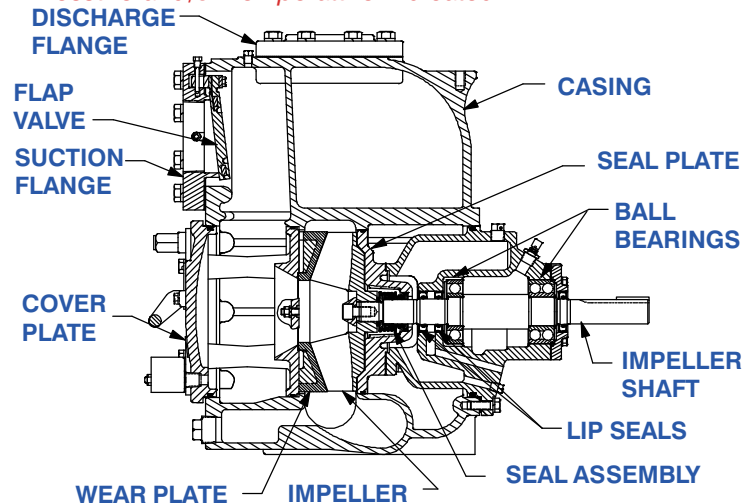
**Optional Equipment:** Metal Bellows Seal. Automatic Air Release Valve. 120V/240V Casing Heater. High Pump Temperature Shutdown Kit.

Stainless Steel CD4MCu Suction and Discharge Spool Flanges:

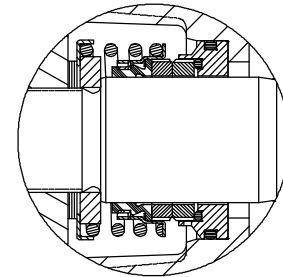
4" ASA (**Specify Model T4B65S-B /F**).

100 mm DIN 2527 (PN 16) (**Specify Model T4B65S-B /FM**).

*\*Consult Factory for Applications Exceeding Maximum Pressure and/or Temperature Indicated.*



Shown with Optional Suction & Discharge Spool Flanges (Available in ASA or DIN Standard Sizes).



#### SEAL DETAIL

Mechanical, Oil-Lubricated, Double Floating, Self-Aligning. Silicon Carbide Rotating and Stationary Faces. Stainless Steel 316 Stationary Seat. Fluorocarbon Elastomers (DuPont Viton® or Equivalent). Stainless Steel 316 Cage and Spring. Maximum Temperature of Liquid Pumped, 160°F (71°C).\*

**GR**  
GORMAN-RUPP  
PUMPS

## GORMAN-RUPP PUMPS

www.grpumps.com

Specifications Subject to Change Without Notice

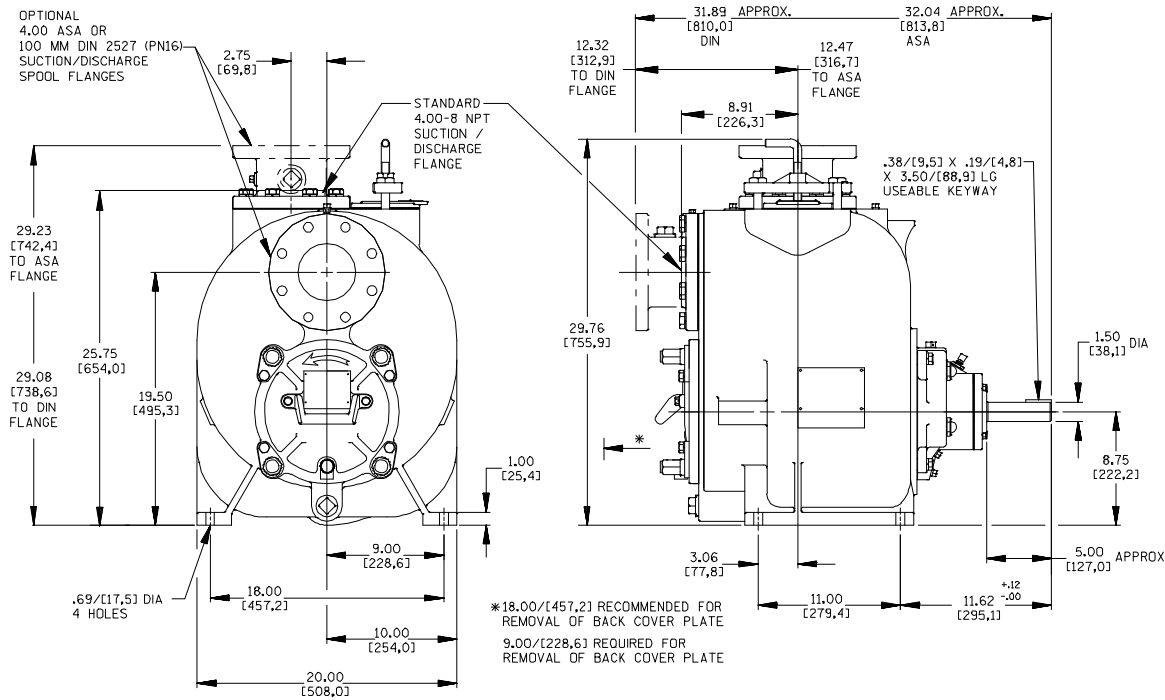
Printed in U.S.A.

**Specification Data**

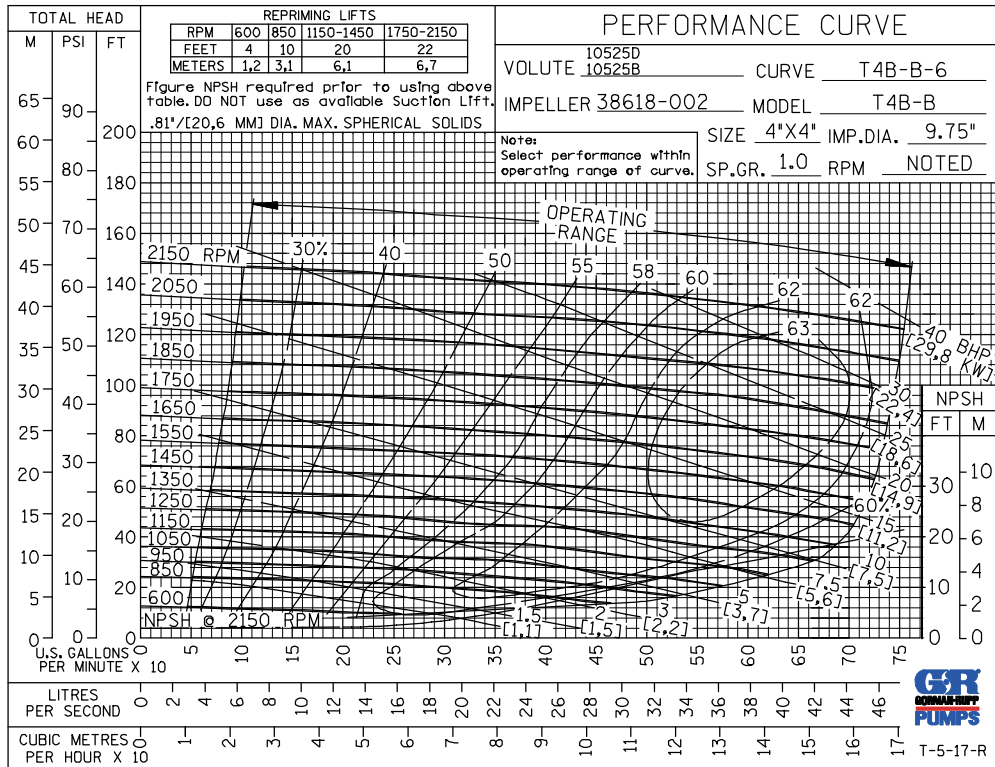
**SECTION 55, PAGE 2180C**

**APPROXIMATE DIMENSIONS and WEIGHTS**

**NET WEIGHT: 595 LBS. (270 KG.)\***  
**SHIPPING WEIGHT: 634 LBS. (288 KG.)\***  
**EXPORT CRATE: 22.7 CU. FT. (0,64 CU. M.)**  
**\*ADD 20 LBS. (9 KG.) W/EACH SPOOL FLANGE**



NOTE: OPTIONAL ASA OR DIN STANDARD SUCITON & DISCHARGE SPOOL FLANGES AVAILABLE.

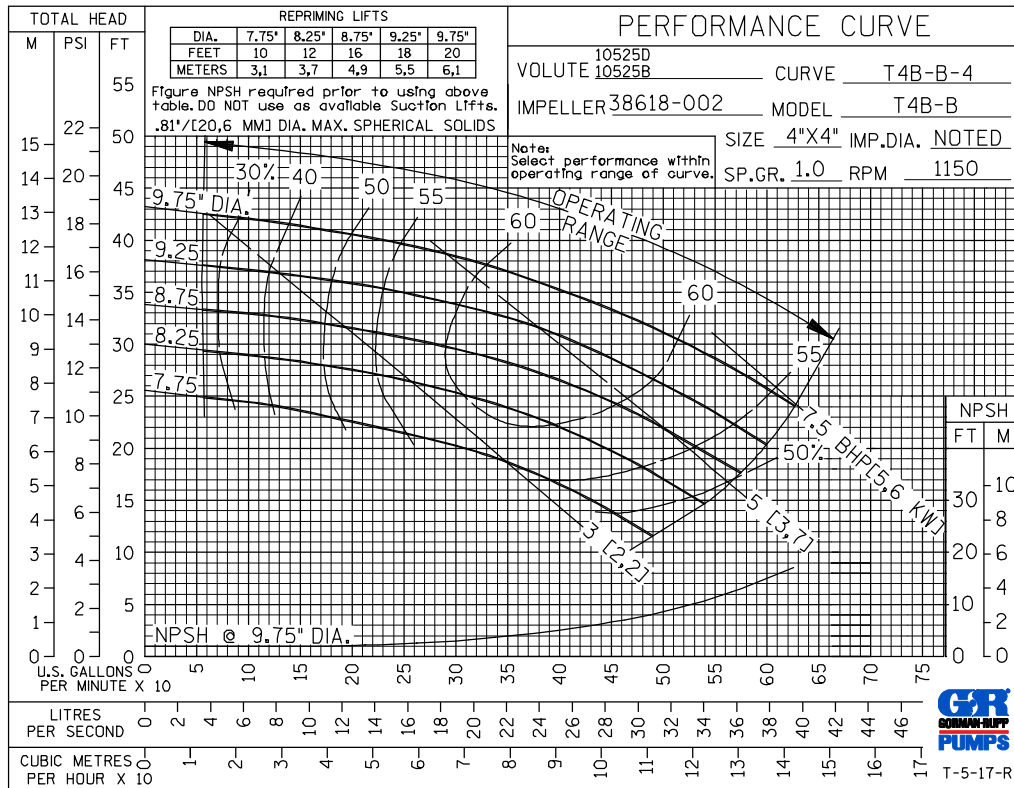
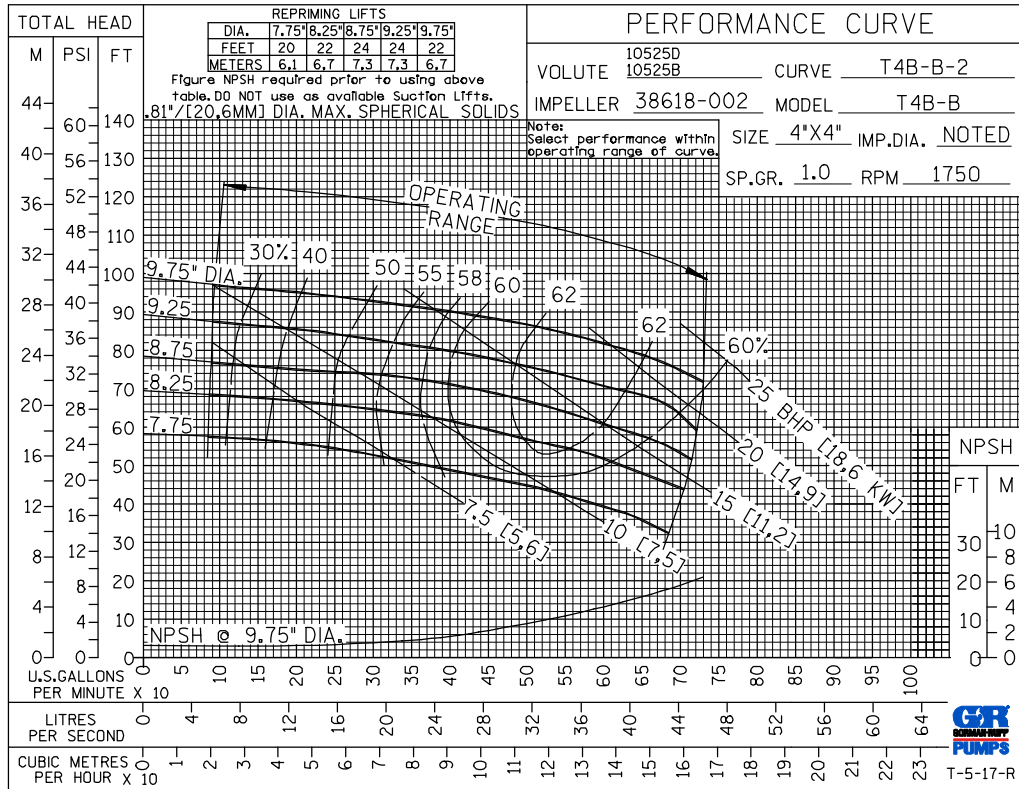


**GORMAN-RUPP PUMPS**

www.grpumps.com

Specifications Subject to Change Without Notice

Printed in U.S.A.

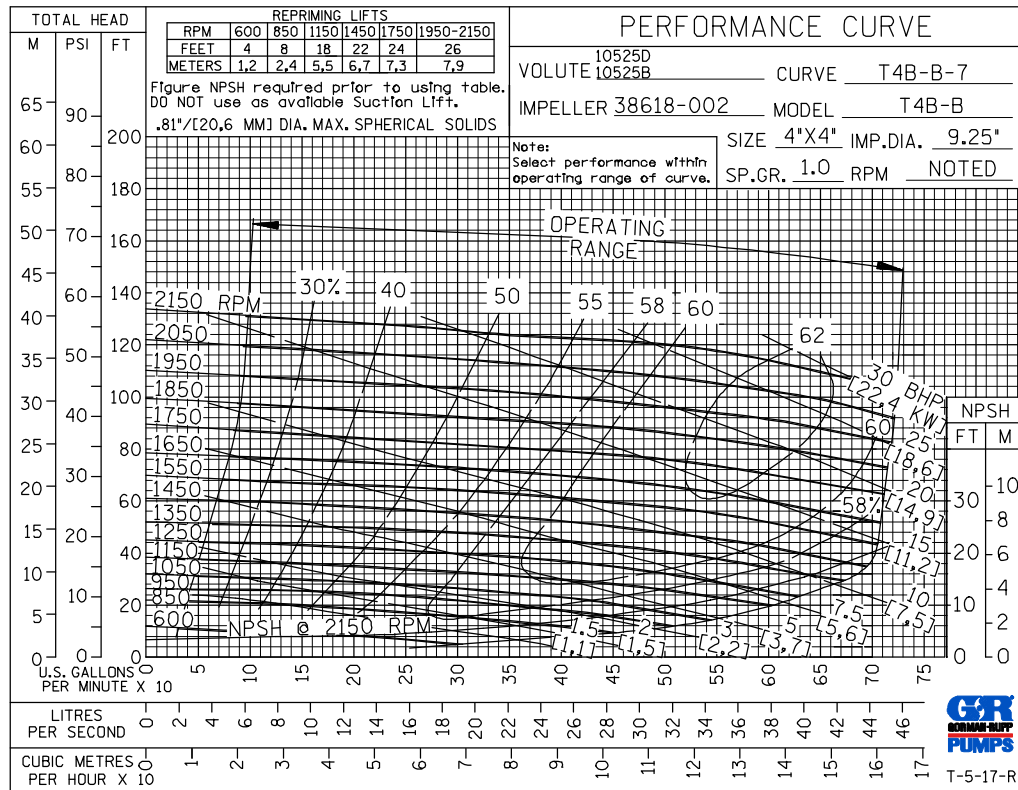
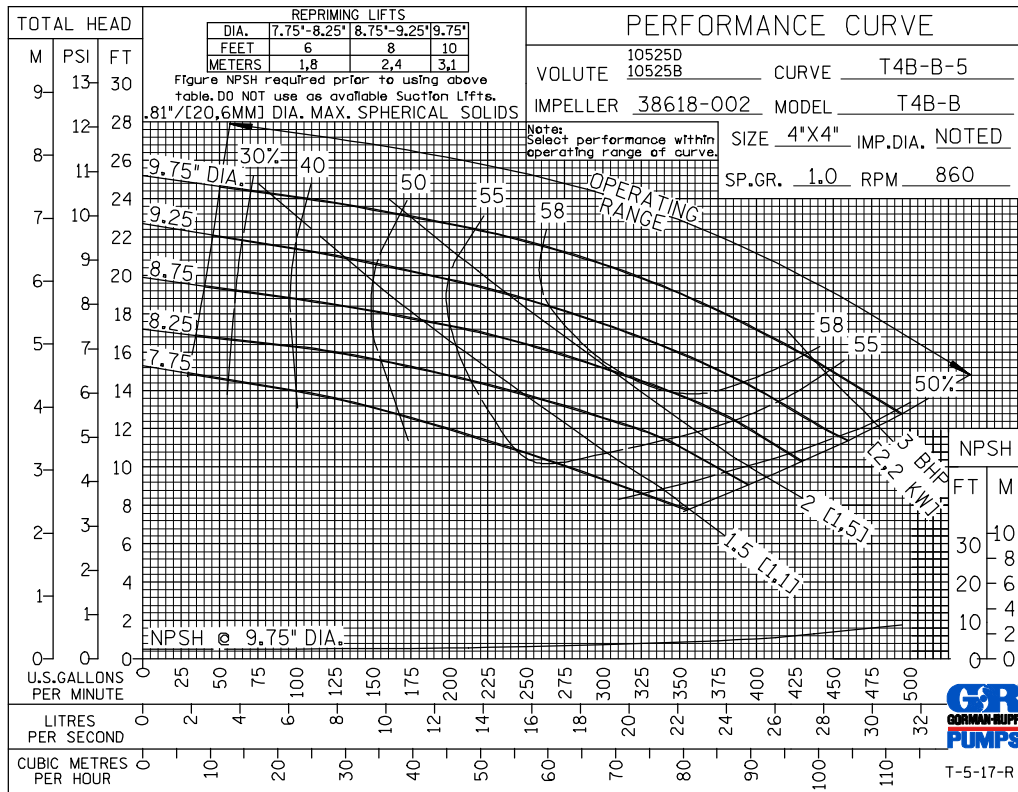


GORMAN-RUPP PUMPS

www.grpumps.com

Specifications Subject to Change Without Notice

Printed in U.S.A.

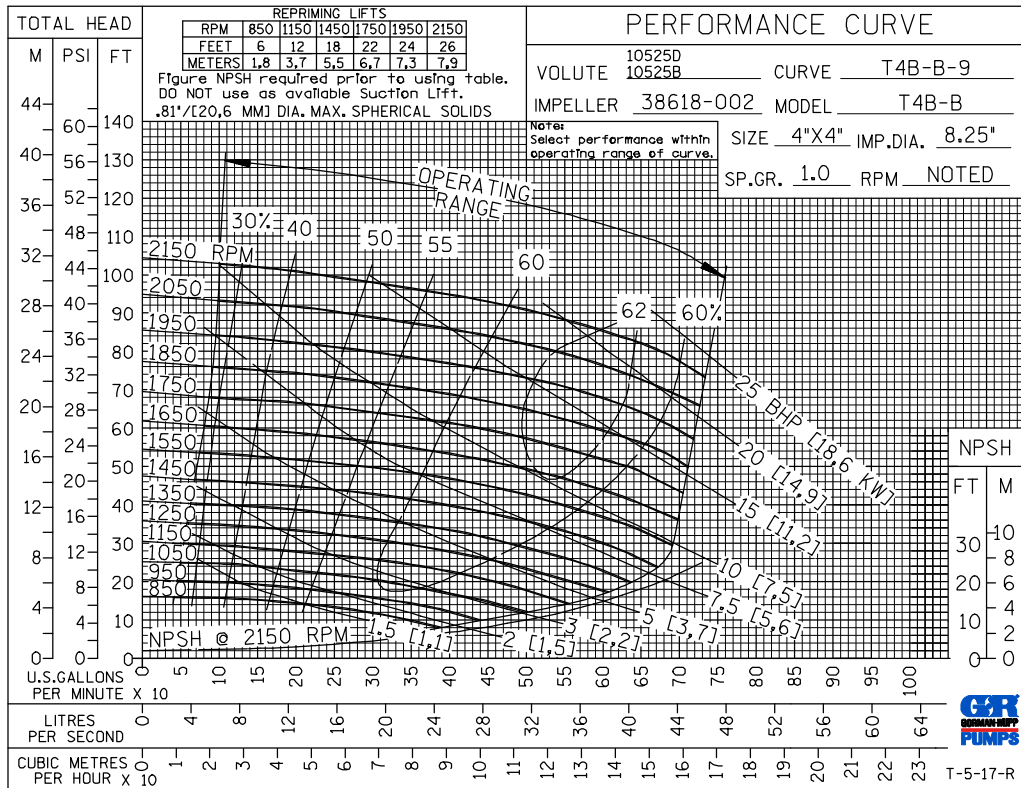
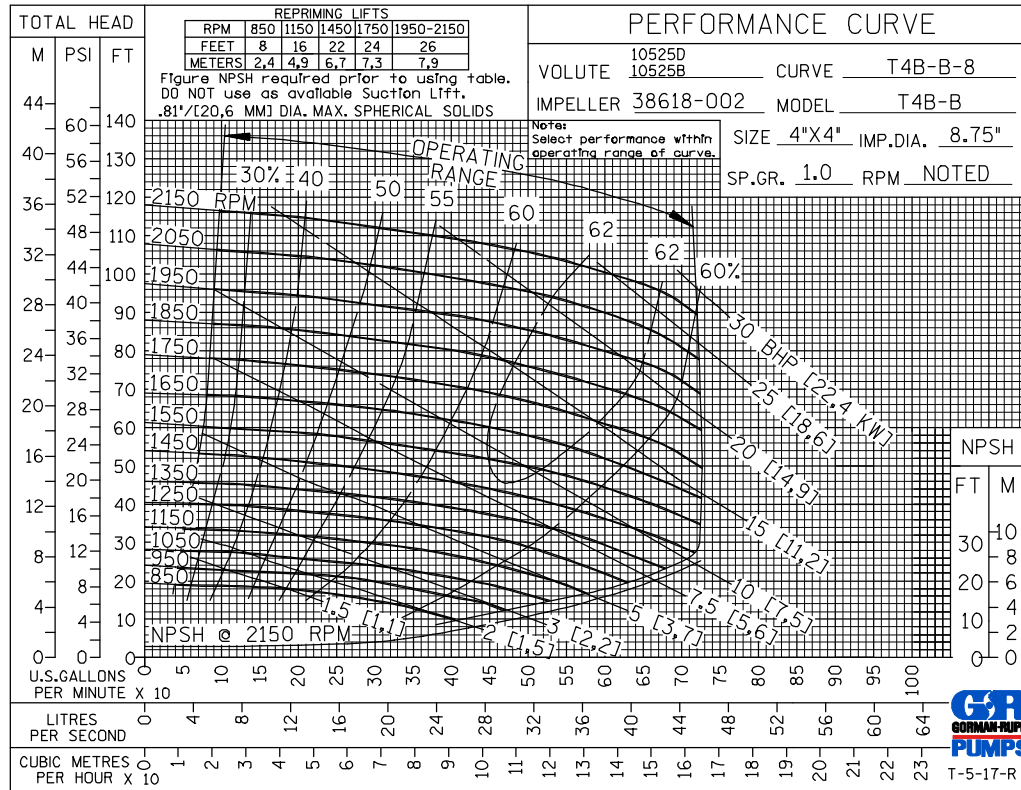


GORMAN-RUPP PUMPS

www.grpumps.com

Specifications Subject to Change Without Notice

Printed in U.S.A.

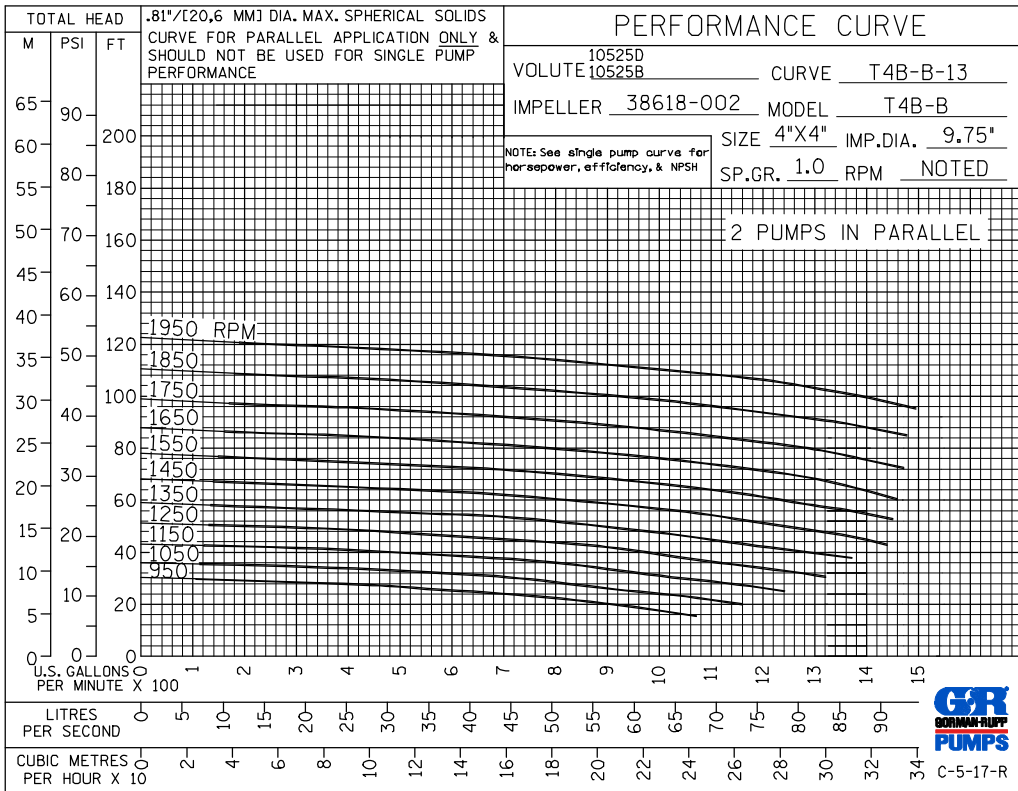
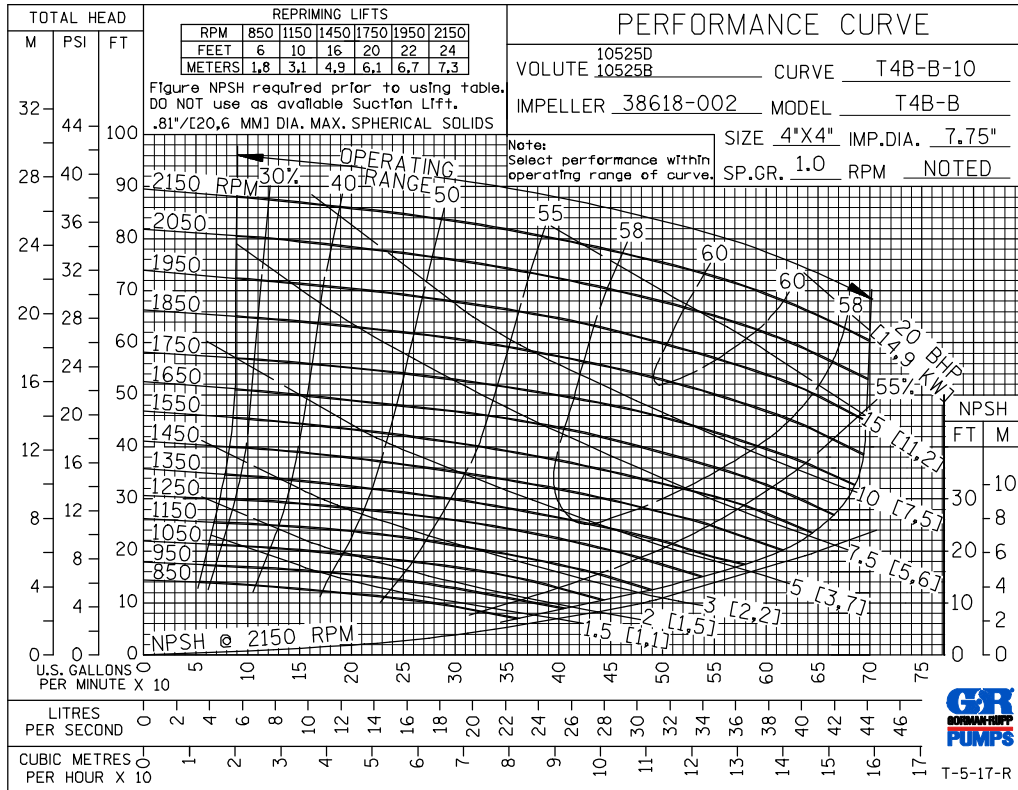


GORMAN-RUPP PUMPS

www.grpumps.com

Specifications Subject to Change Without Notice

Printed in U.S.A.

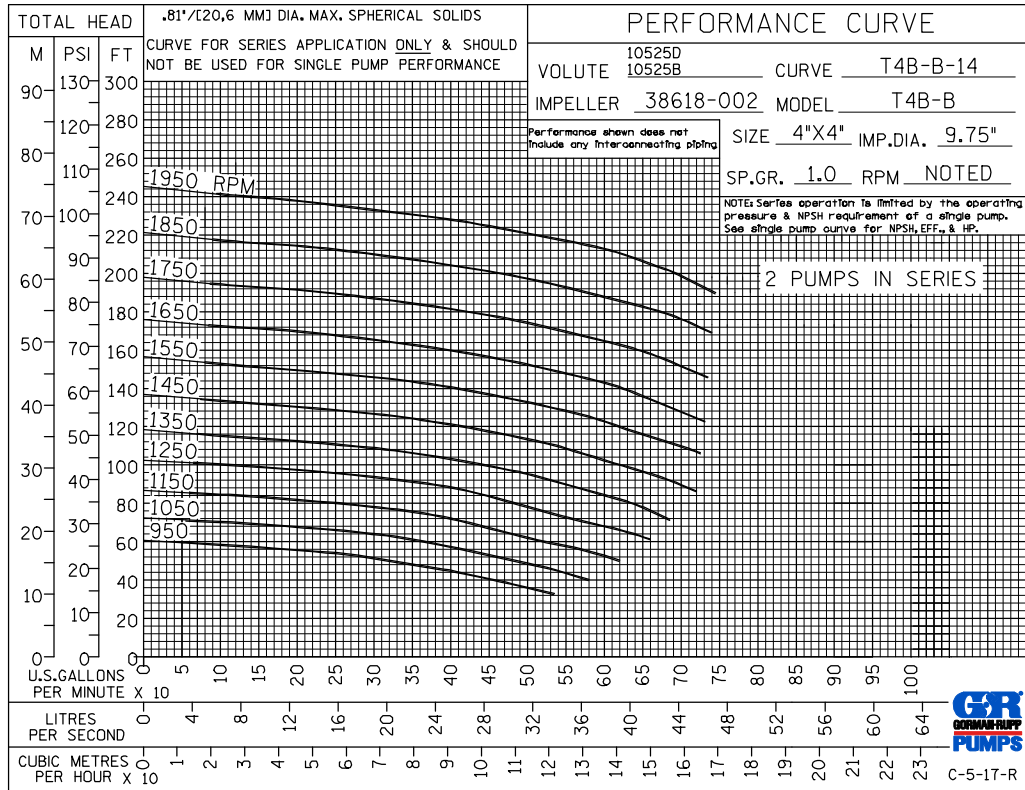


GORMAN-RUPP PUMPS

www.grpumps.com

Specifications Subject to Change Without Notice

Printed in U.S.A.



GORMAN-RUPP PUMPS

www.grpumps.com

Specifications Subject to Change Without Notice

Printed in U.S.A.