

# GLYCERIN FILLED INDUSTRIAL PRESSURE GAUGE MODEL LFB

Illustrated model: 250LFB10



Illustrated model: 251LFB19



Diagram: LFB BOTTOM 1.5, 2.5 and 4 in

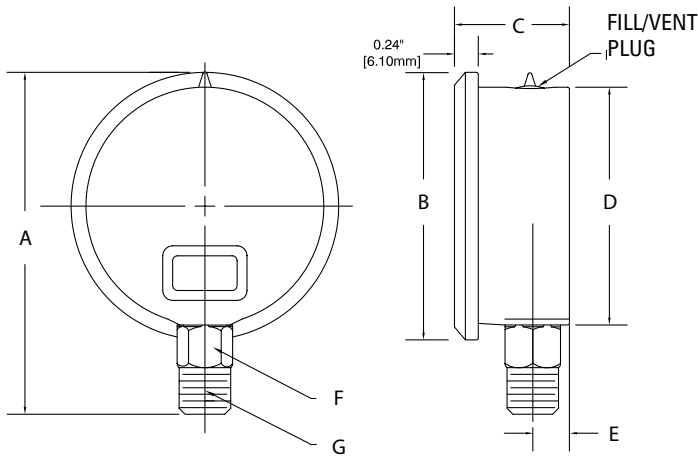
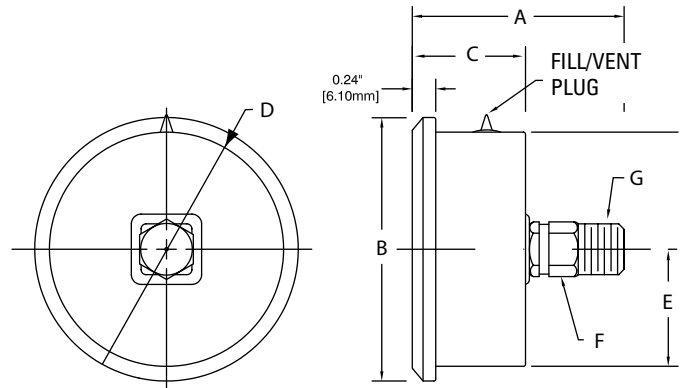


Diagram: LFB CENTER BACK 1.5 and 2.5 in



## Specifications

Case:	304 stainless steel
Dial:	White aluminum with psi graduations in black and kPa graduations in blue
Ring:	304 stainless steel, hermetically sealed or bayonet style (model BAY)
Lens:	Polycarbonate
Pointer:	Anodized black aluminum
Connection:	1 1/2 in (40 mm) 1/8 in nptm bottom or center back, 2 1/2 in (63 mm) 1/4 in nptm bottom or center back, 4 in (100 mm) 1/4 in nptm bottom or lower back
Wetted parts:	Brass
Bourdon tube:	Phosphor bronze
Maximum process and ambient temperatures:	-40 to 150°F / -40 to 65°C dry, 32 to 160°F / 0 to 70°C glycerin filled
Operating pressure:	Maximum 75 % of full scale value
Overpressure limit:	25 % over full scale value
Accuracy:	ASME B40.100(B40.1), Grade B ± 2 %

## Applications

Competitively priced gauge for multiple use: industrial, plumbing, HVAC, hydraulic, pneumatic, compressors, pumps, pools, etc.

## GLYCERIN FILLED INDUSTRIAL PRESSURE GAUGE (CONTINUED) MODEL LFB

Illustrated model: 401LFB15



Illustrated model: 250LFB14-BAY

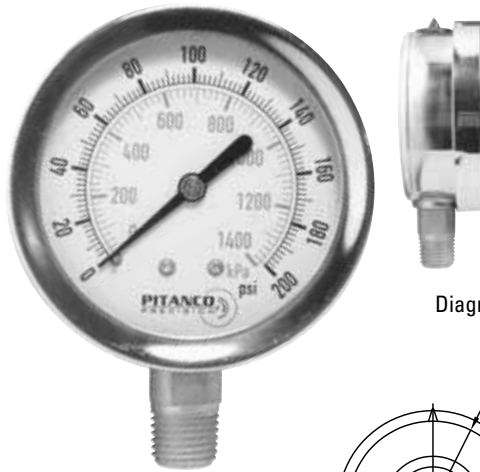


Diagram: 251LFB-BAY CENTER BACK

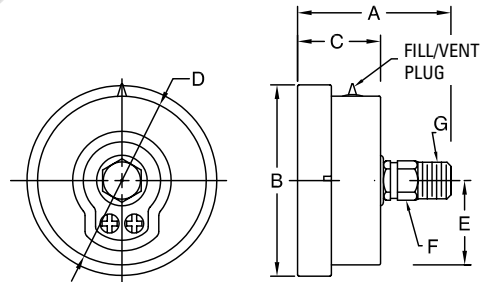


Diagram: LFB LOWER BACK 4 in

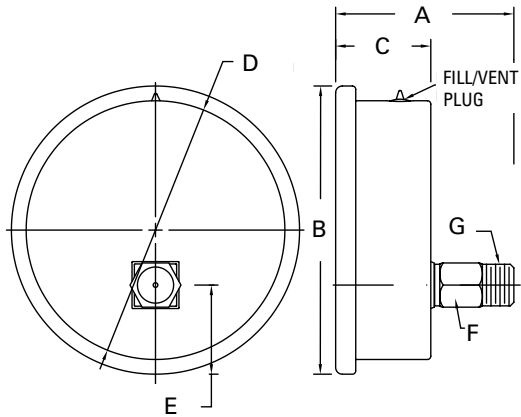
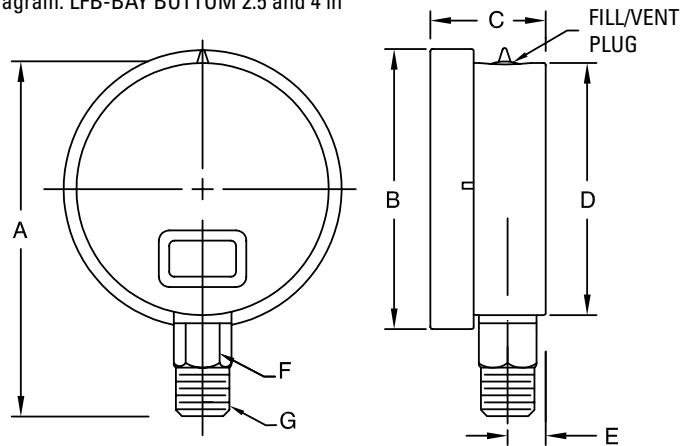


Diagram: LFB-BAY BOTTOM 2.5 and 4 in



### Dimensions as per diagram

Ø	Connection	A	B	C	D	E	F	G
1.5 in (40 mm) hermetically sealed	bottom	2.43 in (61.7 mm)	1.84 in (46.7 mm)	1 in (25.4 mm)	1.6 in (40.6 mm)	0.30 in (7.6 mm)	7/16 hex. (11 mm)	1/8 in nptm
	center back	1.75 in (44.5 mm)	1.84 in (46.7 mm)	1 in (25.4 mm)	1.6 in (40.6 mm)	0.8 in (20.3 mm)	7/16 hex. (11 mm)	1/8 in nptm
2.5 in (63 mm) hermetically sealed	bottom	3.45 in (87.6 mm)	2.7 in (68.5 mm)	1.16 in (29.4 mm)	2.4 in (60.9 mm)	0.37 in (9.4 mm)	9/16 hex. (14 mm)	1/4 in nptm
	center back	2.16 in (54.9 mm)	2.7 in (68.5 mm)	1.16 in (29.4 mm)	2.4 in (60.9 mm)	1.2 in (31 mm)	9/16 hex. (14 mm)	1/4 in nptm
2.5 in (63 mm) bayonet	bottom	3.45 in (87.6 mm)	2.74 in (69 mm)	1.18 in (30 mm)	2.4 in (60.9 mm)	0.37 in (9.4 mm)	9/16 hex. (14 mm)	1/4 in nptm
	center back	2.12 in (54.9 mm)	2.74 in (69 mm)	1.18 in (30 mm)	2.4 in (60.9 mm)	1.22 in (31 mm)	9/16 hex. (14 mm)	1/4 in nptm
4 in (100 mm) hermetically sealed	bottom	5.26 in (133.7 mm)	4.3 in (109.2 mm)	1.42 in (36 mm)	3.86 in (98 mm)	0.50 in (12.7 mm)	11/16 hex. (17 mm)	1/4 in nptm
	lower back	2.66 in (67.5 mm)	4.3 in (109.2 mm)	1.42 in (36 mm)	3.86 in (98 mm)	1.33 in (33.8 mm)	11/16 hex. (17 mm)	1/4 in nptm
4 in (100 mm) bayonet	bottom	5.31 in (109.2 mm)	4.3 in (109.2 mm)	1.53 in (38.9 mm)	3.90 in (99 mm)	0.50 in (12.7 mm)	11/16 hex. (17 mm)	1/4 in nptm
	lower back	2.66 in (67.5 mm)	4.3 in (109.2 mm)	1.53 in (38.9 mm)	3.90 in (99 mm)	1.33 in (33.8 mm)	11/16 hex. (17 mm)	1/4 in nptm

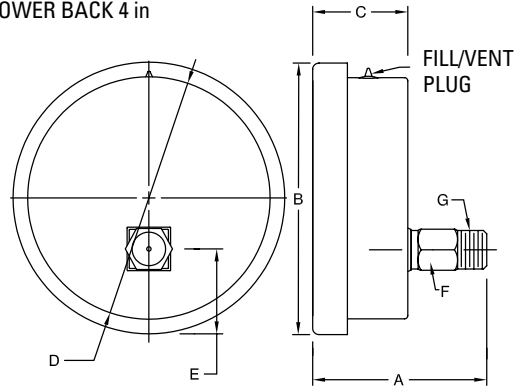
## GLYCERIN FILLED INDUSTRIAL PRESSURE GAUGE (CONTINUED)

### MODEL LFB

To order, use the code in the corresponding column

Illustrated model: 401LFB19-BAY

Diagram: LFB LOWER BACK 4 in



Size	1 1/2 in (40 mm)		2 1/2 in (63 mm)				4 in (100 mm)			
Case	304 stainless steel									
Brass Connection	1/8 in nptm bottom	1/8 in nptm center back	1/4 in nptm bottom	1/4 in nptm center back	1/4 in nptm bottom	1/4 in nptm center back	1/4 in nptm bottom	1/4 in nptm lower back	1/4 in nptm bottom	1/4 in nptm lower back
Ring	hermetic				bayonet		hermetic		bayonet	
Range										
-30 in Hg to 0 vac/kPa	150LFB01	151LFB01	250LFB01	251LFB01	250LFB01-BAY	251LFB01-BAY	400LFB01	401LFB01	400LFB01-BAY	401LFB01-BAY
-30 in Hg to 15 psi/kPa			250LFB02	251LFB02	250LFB02-BAY	251LFB02-BAY	400LFB02	401LFB02		
-30 in Hg to 30 psi/kPa			250LFB03	251LFB03	250LFB03-BAY	251LFB03-BAY	400LFB03	401LFB03		
-30 in Hg to 60 psi/kPa			250LFB04	251LFB04	250LFB04-BAY	251LFB04-BAY	400LFB04	401LFB04		
-30 in Hg to 100 psi/kPa			250LFB05	251LFB05	250LFB05-BAY	251LFB05-BAY	400LFB05	401LFB05		
-30 in Hg to 160 psi/kPa			250LFB06	251LFB06	250LFB06-BAY	251LFB06-BAY	400LFB06	401LFB06		
-30 in Hg to 200 psi/kPa			250LFB07	251LFB07	250LFB07-BAY	251LFB07-BAY	400LFB07	401LFB07		
-30 in Hg to 300 psi/kPa			250LFB08	251LFB08	250LFB08-BAY	251LFB08-BAY	400LFB08	401LFB08		
0 to 15 psi/kPa	150LFB09	151LFB09	250LFB09	251LFB09	250LFB09-BAY	251LFB09-BAY	400LFB09	401LFB09	400LFB09-BAY	401LFB09-BAY
0 to 30 psi/kPa	150LFB10	151LFB10	250LFB10	251LFB10	250LFB10-BAY	251LFB10-BAY	400LFB10	401LFB10	400LFB10-BAY	401LFB10-BAY
0 to 60 psi/kPa	150LFB11	151LFB11	250LFB11	251LFB11	250LFB11-BAY	251LFB11-BAY	400LFB11	401LFB11	400LFB11-BAY	401LFB11-BAY
0 to 100 psi/kPa	150LFB12	151LFB12	250LFB12	251LFB12	250LFB12-BAY	251LFB12-BAY	400LFB12	401LFB12	400LFB12-BAY	401LFB12-BAY
0 to 160 psi/kPa	150LFB13	151LFB13	250LFB13	251LFB13	250LFB13-BAY	251LFB13-BAY	400LFB13	401LFB13	400LFB13-BAY	401LFB13-BAY
0 to 200 psi/kPa	150LFB14	151LFB14	250LFB14	251LFB14	250LFB14-BAY	251LFB14-BAY	400LFB14	401LFB14	400LFB14-BAY	401LFB14-BAY
0 to 300 psi/kPa	150LFB15	151LFB15	250LFB15	251LFB15	250LFB15-BAY	251LFB15-BAY	400LFB15	401LFB15	400LFB15-BAY	401LFB15-BAY
0 to 400 psi/kPa	150LFB23	151LFB23	250LFB23	251LFB23	250LFB23-BAY	251LFB23-BAY	400LFB23	401LFB23	400LFB23-BAY	401LFB23-BAY
0 to 600 psi/kPa	150LFB16	151LFB16	250LFB16	251LFB16	250LFB16-BAY	251LFB16-BAY	400LFB16	401LFB16	400LFB16-BAY	401LFB16-BAY
0 to 1,000 psi/kPa	150LFB17	151LFB17	250LFB17	251LFB17	250LFB17-BAY	251LFB17-BAY	400LFB17	401LFB17	400LFB17-BAY	401LFB17-BAY
0 to 1,500 psi/kPa			250LFB18	251LFB18	250LFB18-BAY	251LFB18-BAY	400LFB18	401LFB18	400LFB18-BAY	401LFB18-BAY
0 to 2,000 psi/kPa	150LFB22	151LFB22	250LFB22	251LFB22	250LFB22-BAY	251LFB22-BAY	400LFB22	401LFB22	400LFB22-BAY	401LFB22-BAY
0 to 3,000 psi/kPa	150LFB19	151LFB19	250LFB19	251LFB19	250LFB19-BAY	251LFB19-BAY	400LFB19	401LFB19	400LFB19-BAY	401LFB19-BAY
0 to 4,000 psi/kPa			250LFB28	251LFB28			400LFB28	401LFB28		
0 to 5,000 psi/kPa			250LFB20	251LFB20	250LFB20-BAY	251LFB20-BAY	400LFB20	401LFB20	400LFB20-BAY	401LFB20-BAY
0 to 6,000 psi/kPa			250LFB25	251LFB25			400LFB25	401LFB25		
0 to 10,000 psi/kPa			250LFB21	251LFB21	250LFB21-BAY	251LFB21-BAY	400LFB21	401LFB21	*400LFB21-BAY-50	*401LFB21-BAY-50
0 to 15,000 psi/kPa			250LFB26	251LFB26			400LFB26	401LFB26		

### Option

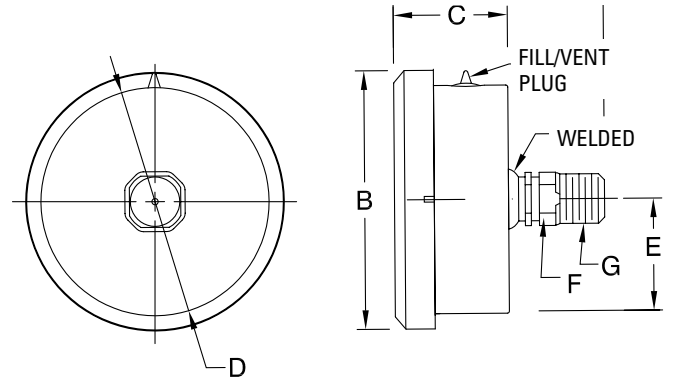
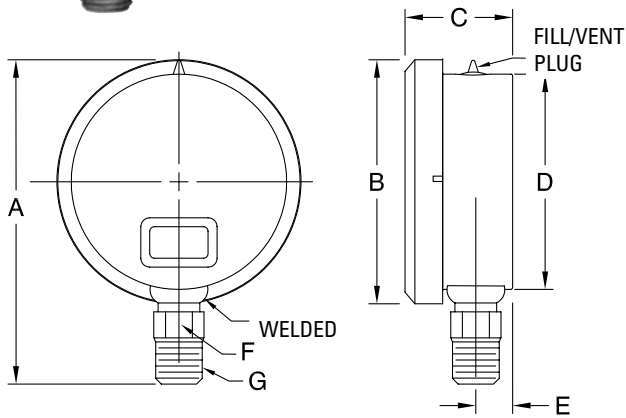
\*Offered in 1/2 in nptm connection only



**INDUSTRIAL PRESSURE GAUGE GLYCERIN FILLED  
MODELS LFSS AND LFSSW**

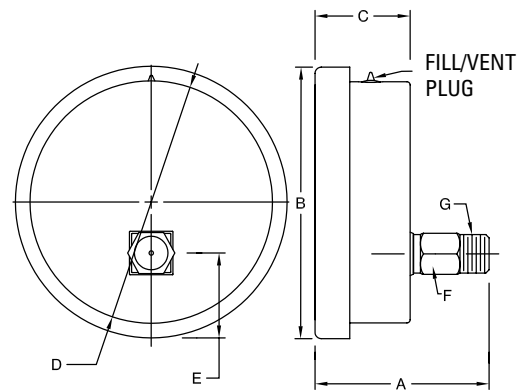
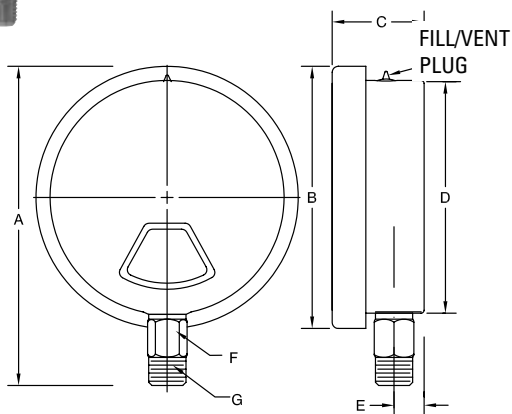
Illustrated model: 250LFSS21W

Illustrated model: 251LFSS12W



Illustrated model: 400LFSS12

Illustrated model: 401LFSS19



**INDUSTRIAL PRESSURE GAUGE GLYCERIN FILLED (CONTINUED)**  
**MODELS LFSS AND LFSSW\***

Illustrated model: 400LFSS07W



Illustrated model: 401LFSS09W

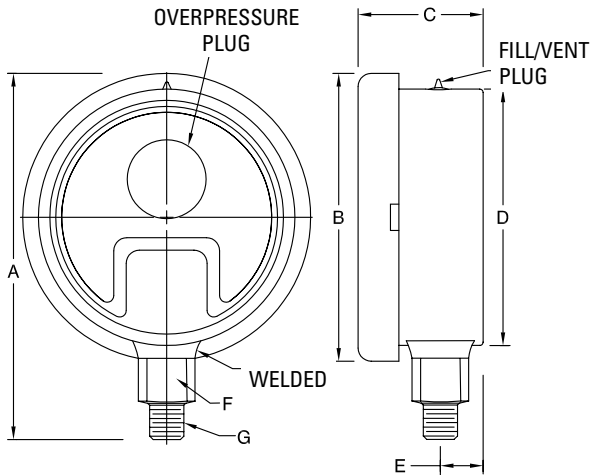


Diagram: 400 and 600LFSSW

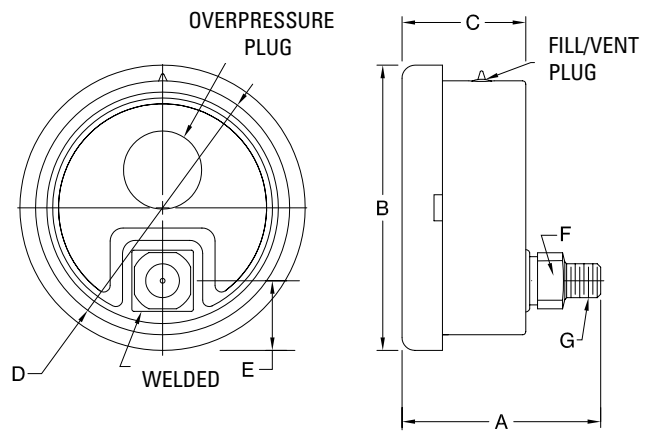


Diagram: 401 and 601LFSSW

**Specifications**

Case:	304 stainless steel
Dial:	White aluminum with psi graduations in black, kPa in blue
Ring:	304 stainless steel, bayonet style except 1 ½ in (40 mm) hermetically sealed
Lens:	Polycarbonate
Pointer:	LFSS: Black anodized aluminum for 1 ½ in (40 mm), 2 in (50 mm), 2 ½ in (63 mm) and 4 in (100 mm) LFSSW: adjustable pointer for 4 in (100 mm) and 6 in (150 mm)
Connection:	316 stainless steel
Wetted parts:	316 stainless steel
Bourdon tube:	316 stainless steel
Maximum process and ambient temperatures:	-40 to 150°F / -40 to 65°C dry 32 to 160°F / 0 to 70°C glycerin filled
Operating pressure:	Maximum 75 % of full scale value
Overpressure limit:	25 % over full scale value
Accuracy:	ASME B40.100(B40.1), Grade B ± 2 %, 1 ½ in (40 mm), 2 in (50 mm), 2 ½ in (63 mm) and 4 in (100 mm) LFSS Grade A ± 1 % for 4 in (100 mm) and 6 in (150 mm) LFSSW

**Applications**

Competitively priced gauges for multiple use: industrial, pneumatic, hydraulic, plumbing, HVAC, pumps, compressors, etc.

\*Models LFSSW 4 in (100 mm) and 6 in (150 mm) are dry but liquid-fillable.

**INDUSTRIAL PRESSURE GAUGE GLYCERIN FILLED (CONTINUED)**  
**MODELS LFSS AND LFSSW\***

Illustrated model: 601LFSS09W



Illustrated model: 600LFSS14W



<b>Dimensions as per diagram</b>								
<b>Ø</b>	<b>Connection</b>	<b>A</b>	<b>B</b>	<b>C</b>	<b>D</b>	<b>E</b>	<b>F</b>	<b>G</b>
1.5 in (40 mm)	bottom welded	2.49 in (63 mm)	1.83 in (46 mm)	0.98 in (25 mm)	1.6 in (41 mm)	0.32 in (8 mm)	7/16 flat (11 mm)	1/8 in nptm
	hermetic	center back welded	1.75 in (44 mm)	1.83 in (46 mm)	0.98 in (25 mm)	1.6 in (41 mm)	0.8 in (20 mm)	7/16 flat (11 mm)
2 in (50 mm)	bottom welded	3.17 in (80.4 mm)	2.3 in (58 mm)	1.1 in (28.2 mm)	2 in (51.6 mm)	0.41 in (10.4 mm)	9/16 hex. (14 mm)	1/4 in nptm
	bayonet	center back welded	2.11 in (53.6 mm)	2.3 in (58 mm)	1.1 in (28.2 mm)	2 in (51.6 mm)	1 in (25.8 mm)	9/16 hex. (14 mm)
2.5 in (63 mm)	bottom welded	3.6 in (92.11 mm)	2.7 in (69 mm)	1.2 in (30.5 mm)	2.4 in (61 mm)	0.41 in (10.4 mm)	9/16 hex. (14 mm)	1/4 in nptm
	bayonet	center back welded	2.2 in (56.1 mm)	2.7 in (69 mm)	1.2 in (30.5 mm)	2.4 in (61 mm)	1.2 in (30.5 mm)	9/16 hex. (14 mm)
4 in (100 mm)	bottom	5.3 in (135.1 mm)	4.4 in (111 mm)	1.5 in (38.9 mm)	3.9 in (99 mm)	0.5 in (12.7 mm)	11/16 hex. (17 mm)	1/4 in nptm
	bayonet	lower back	2.8 in (71.2 mm)	4.4 in (111 mm)	1.5 in (38.9 mm)	3.9 in (99 mm)	1.4 in (34.7 mm)	11/16 hex. (17 mm)
4 in (100 mm)	bottom welded	5.6 in (142.2 mm)	4.4 in (111 mm)	1.9 in (48.3 mm)	3.9 in (99 mm)	0.65 in (16.5 mm)	7/8 flat (22 mm)	1/4 in nptm
Premium Quality	lower back welded	3 in (76.2 mm)	4.4 in (111 mm)	1.9 in (48.3 mm)	3.9 in (99 mm)	0.85 in (22 mm)	7/8 flat (22 mm)	1/4 in nptm
4 in (100 mm)	bottom welded	5.75 in (146 mm)	4.4 in (111 mm)	1.9 in (48.3 mm)	3.9 in (99 mm)	0.62 in (16 mm)	7/8 flat (22 mm)	1/2 in nptm
Premium Quality	lower back welded	3.3 in (84 mm)	4.4 in (111 mm)	1.9 in (48.3 mm)	3.9 in (99 mm)	0.83 in (21 mm)	7/8 flat (22 mm)	1/2 in nptm
6 in (150 mm)	bottom welded	7.62 in (194 mm)	6.3 in (160 mm)	1.9 in (48.3 mm)	5.86 in (149 mm)	0.57 in (14 mm)	7/8 flat (22 mm)	1/2 in nptm
Premium Quality	lower back welded	3.52 in (89 mm)	6.3 in (160 mm)	1.9 in (48.3 mm)	5.86 in (149 mm)	1.77 in (45 mm)	7/8 flat (22 mm)	1/2 in nptm

## INDUSTRIAL PRESSURE GAUGE GLYCERIN FILLED (CONTINUED)

### MODELS LFSS AND LFSSW\*

To order, use the code in the corresponding column

Size	1 1/2 in (40 mm)		2 in (50 mm)		2 1/2 in (63 mm)		4 in (100 mm)	
Case	304 stainless steel							
Connection	1/8 in nptm		1/4 in nptm					
	bottom	center back	bottom	center back	bottom	center back	bottom	lower back
	316 stainless steel							
Ring	welded to case						not welded to case	
Ring	hermetic		bayonet					
Range								
-30 in Hg to 0 vac/kPa	150LFSS01W	151LFSS01W	200LFSS01W	201LFSS01W	250LFSS01W	251LFSS01W	400LFSS01	401LFSS01
-30 in Hg to 15 psi/kPa					250LFSS02W	251LFSS02W	400LFSS02	401LFSS02
-30 in Hg to 30 psi/kPa					250LFSS03W	251LFSS03W	400LFSS03	401LFSS03
-30 in Hg to 60 psi/kPa					250LFSS04W	251LFSS04W	400LFSS04	401LFSS04
-30 in Hg to 100 psi/kPa					250LFSS05W	251LFSS05W	400LFSS05	401LFSS05
-30 in Hg to 160 psi/kPa					250LFSS06W	251LFSS06W	400LFSS06	401LFSS06
-30 in Hg to 200 psi/kPa					250LFSS07W	251LFSS07W	400LFSS07	401LFSS07
-30 in Hg to 300 psi/kPa					250LFSS08W	251LFSS08W	400LFSS08	401LFSS08
0 to 15 psi/kPa			200LFSS09W	201LFSS09W	250LFSS09W	251LFSS09W	400LFSS09	401LFSS09
0 to 30 psi/kPa	150LFSS10W	151LFSS10W	200LFSS10W	201LFSS10W	250LFSS10W	251LFSS10W	400LFSS10	401LFSS10
0 to 60 psi/kPa	150LFSS11W	151LFSS11W	200LFSS11W	201LFSS11W	250LFSS11W	251LFSS11W	400LFSS11	401LFSS11
0 to 100 psi/kPa	150LFSS12W	151LFSS12W	200LFSS12W	201LFSS12W	250LFSS12W	251LFSS12W	400LFSS12	401LFSS12
0 to 160 psi/kPa	150LFSS13W	151LFSS13W	200LFSS13W	201LFSS13W	250LFSS13W	251LFSS13W	400LFSS13	401LFSS13
0 to 200 psi/kPa	150LFSS14W	151LFSS14W	200LFSS14W	201LFSS14W	250LFSS14W	251LFSS14W	400LFSS14	401LFSS14
0 to 300 psi/kPa	150LFSS15W	151LFSS15W	200LFSS15W	201LFSS15W	250LFSS15W	251LFSS15W	400LFSS15	401LFSS15
0 to 400 psi/kPa			200LFSS23W	201LFSS23W	250LFSS23W	251LFSS23W	400LFSS23	401LFSS23
0 to 600 psi/kPa			200LFSS16W	201LFSS16W	250LFSS16W	251LFSS16W	400LFSS16	401LFSS16
0 to 1,000 psi/kPa			200LFSS17W	201LFSS17W	250LFSS17W	251LFSS17W	400LFSS17	401LFSS17
0 to 1,500 psi/kPa					250LFSS18W	251LFSS18W	400LFSS18	401LFSS18
0 to 2,000 psi/kPa					250LFSS22W	251LFSS22W	400LFSS22	401LFSS22
0 to 3,000 psi/kPa			200LFSS19W	201LFSS19W	250LFSS19W	251LFSS19W	400LFSS19	401LFSS19
0 to 5,000 psi/kPa					250LFSS20W	251LFSS20W	400LFSS20	401LFSS20
0 to 10,000 psi/kPa					250LFSS21W	251LFSS21W	400LFSS21	401LFSS21

### Option

\*Models LFSSW 4 in (100 mm) and 6 in (150 mm) are dry but liquid-fillable.



**INDUSTRIAL PRESSURE GAUGE GLYCERIN FILLED (CONTINUED)**

**MODELS LFSS AND LFSSW\***

To order, use the code in the corresponding column

<b>Size</b>	<b>4 in (100 mm) LFSSW Grade A</b>				<b>6 in (150 mm) Grade A</b>	
<b>Case</b>	<b>304 stainless steel</b>					
<b>Connection</b>	<b>1/4 in nptm</b>		<b>1/2 in nptm</b>			
	<b>bottom</b>	<b>lower back</b>	<b>bottom</b>	<b>lower back</b>	<b>bottom</b>	<b>lower back</b>
<b>Ring</b>	<b>316 stainless steel welded to case</b>					
<b>Range</b>	<b>bayonet</b>					
-30 in Hg to 0 vac/kPa	400LFSS01W	401LFSS01W	400LFSS01W-50	401LFSS01W-50	600LFSS01W	601LFSS01W
-30 in Hg to 15 psi/kPa	400LFSS02W	401LFSS02W	400LFSS02W-50	401LFSS02W-50		
-30 in Hg to 30 psi/kPa	400LFSS03W	401LFSS03W	400LFSS03W-50	401LFSS03W-50		601LFSS03W
-30 in Hg to 60 psi/kPa	400LFSS04W	401LFSS04W	400LFSS04W-50	401LFSS04W-50		
-30 in Hg to 100 psi/kPa	400LFSS05W	401LFSS05W	400LFSS05W-50	401LFSS05W-50		
-30 in Hg to 160 psi/kPa	400LFSS06W	401LFSS06W	400LFSS06W-50	401LFSS06W-50		
-30 in Hg to 200 psi/kPa	400LFSS07W	401LFSS07W	400LFSS07W-50	401LFSS07W-50		
-30 in Hg to 300 psi/kPa	400LFSS08W	401LFSS08W	400LFSS08W-50	401LFSS08W-50		
0 to 15 psi/kPa	400LFSS09W	401LFSS09W	400LFSS09W-50	401LFSS09W-50	600LFSS09W	601LFSS09W
0 to 30 psi/kPa	400LFSS10W	401LFSS10W	400LFSS10W-50	401LFSS10W-50	600LFSS10W	601LFSS10W
0 to 60 psi/kPa	400LFSS11W	401LFSS11W	400LFSS11W-50	401LFSS11W-50	600LFSS11W	601LFSS11W
0 to 100 psi/kPa	400LFSS12W	401LFSS12W	400LFSS12W-50	401LFSS12W-50	600LFSS12W	601LFSS12W
0 to 160 psi/kPa	400LFSS13W	401LFSS13W	400LFSS13W-50	401LFSS13W-50	600LFSS13W	601LFSS13W
0 to 200 psi/kPa	400LFSS14W	401LFSS14W	400LFSS14W-50	401LFSS14W-50	600LFSS14W	601LFSS14W
0 to 300 psi/kPa	400LFSS15W	401LFSS15W	400LFSS15W-50	401LFSS15W-50	600LFSS15W	601LFSS15W
0 to 400 psi/kPa	400LFSS23W	401LFSS23W	400LFSS23W-50	401LFSS23W-50	600LFSS23W	601LFSS23W
0 to 600 psi/kPa	400LFSS16W	401LFSS16W	400LFSS16W-50	401LFSS16W-50	600LFSS16W	601LFSS16W
0 to 1,000 psi/kPa	400LFSS17W	401LFSS17W	400LFSS17W-50	401LFSS17W-50	600LFSS17W	601LFSS17W
0 to 1,500 psi/kPa	400LFSS18W	401LFSS18W	400LFSS18W-50	401LFSS18W-50		
0 to 2,000 psi/kPa	400LFSS22W	401LFSS22W	400LFSS22W-50	401LFSS22W-50	600LFSS22W	601LFSS22W
0 to 3,000 psi/kPa	400LFSS19W	401LFSS19W	400LFSS19W-50	401LFSS19W-50	600LFSS19W	601LFSS19W
0 to 5,000 psi/kPa	400LFSS20W	401LFSS20W	400LFSS20W-50	401LFSS20W-50	600LFSS20W	601LFSS20W
0 to 10,000 psi/kPa	400LFSS21W	401LFSS21W	400LFSS21W-50	401LFSS21W-50	600LFSS21W	601LFSS21W
0 to 15,000 psi/kPa			400LFSS26W-50	401LFSS26W-50	600LFSS26W	601LFSS26W

**Options**

\*Models LFSSW 4 in (100 mm) and 6 in (150 mm) are dry but liquid-fillable.  
 MAX400 = 4 in Glass with needle indicating the maximum pressure.