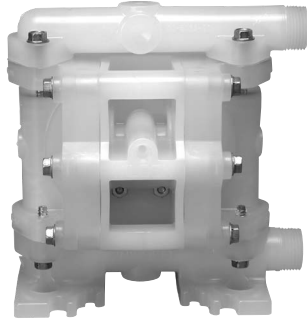


**P25 PLASTIC PUMP**

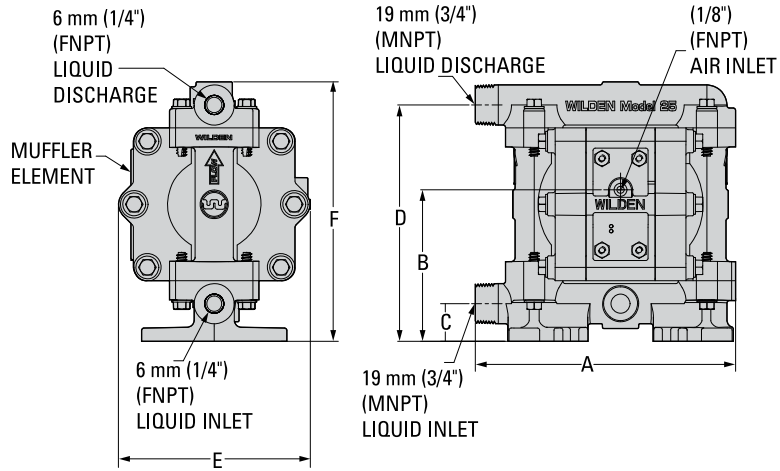
**6 mm (1/4") Pump  
Maximum Flow Rate:  
16.7 lpm (4.4 gpm)**



**P25 PLASTIC**

**DIMENSIONAL DRAWING**

**P25 Plastic**



**DIMENSIONS**

ITEM	METRIC (mm)	STANDARD (inch)
A	173	6.8
B	102	4.0
C	25	1.0
D	157	6.2
E	127	5.0
F	173	6.8
G	61	2.4
H	99	3.9
J	53	2.1
K	81	3.2
L	10	0.4
M	5	0.2
N	150	5.9

LW0069 REV. A

**PUMP DATA**

**Specifications:**

Ship Weight.....Polypropylene 2 kg (4 lbs)  
 PVDF 2 kg (5 lbs)  
 Air Inlet ..... 1/8" FNPT  
 Liquid Inlet..... 6 mm (1/4")  
 Liquid Outlet..... 6 mm (1/4")

