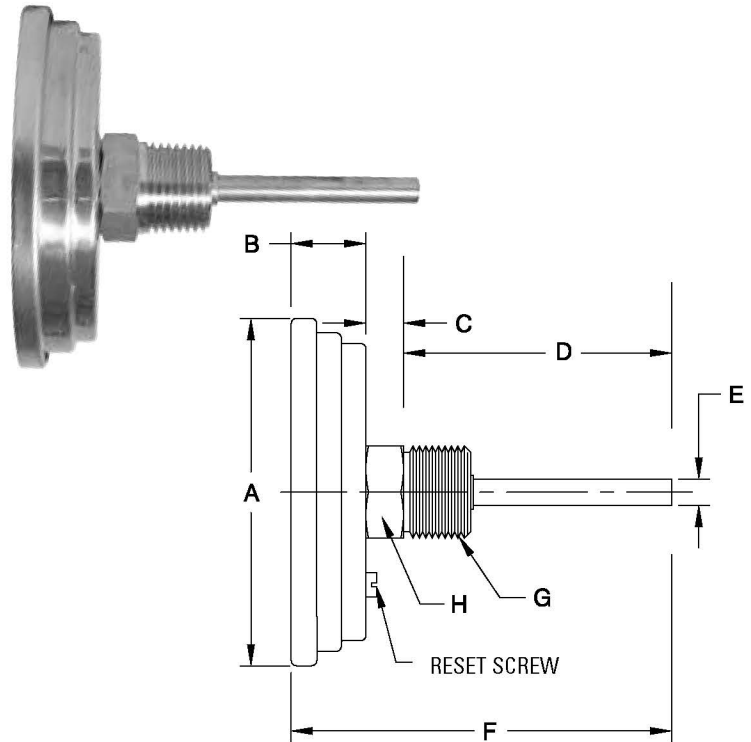


BIMETAL THERMOMETER MODELS B3 AND B5

Illustrated model: B325-01



Specifications

Case:	304 stainless steel, including back side recalibrator screw
Dial:	3 in (76 mm), 5 in (127 mm), white aluminum graduations °F in black °C in blue
Ring:	304 stainless steel
Lens:	Polycarbonate hermetically sealed
Pointer:	Balanced aluminum painted black
Movement:	Bimetallic coil
Stem:	304 stainless steel, 2 ½ in (63 mm), 4 in (100 mm), 6 in (150 mm), 9 in (227 mm) and 12 in (300 mm)
Connection:	½ in nptm center back mount
Ambient temperature:	-55 to 245 °F/°C
Operating temperature:	Maximum 75 % of full range value
Accuracy:	ASME B40.200(B40.3), Grade A ± 1 % CAN/CGSB - 14.5

Applications

Industrial boilers, food and beverage plants, refineries, chemical plants, HVAC projects, etc. Where a quick and precise reading is required.

Dimensions as per diagram

Model	Ø	A	B	C	D	E	F	G	H
B325	3 in (76 mm)	3.25 in (83 mm)	0.7 in (18 mm)	0.35 in (8.9 mm)	2.5 in (63 mm)	0.25 in (6.2 mm)	3.56 in (90.5 mm)	½ in nptm	7/8 hex. (22 mm)
B340	3 in (76 mm)	3.25 in (83 mm)	0.7 in (18 mm)	0.35 in (8.9 mm)	4 in (100 mm)	0.25 in (6.2 mm)	5.1 in (130 mm)	½ in nptm	7/8 hex. (22 mm)
B360	3 in (76 mm)	3.25 in (83 mm)	0.7 in (18 mm)	0.35 in (8.9 mm)	6 in (150 mm)	0.25 in (6.2 mm)	7.1 in (180 mm)	½ in nptm	7/8 hex. (22 mm)
B390	3 in (76 mm)	3.25 in (83 mm)	0.7 in (18 mm)	0.35 in (8.9 mm)	9 in (227 mm)	0.25 in (6.2 mm)	10.2 in (259 mm)	½ in nptm	7/8 hex. (22 mm)
B3120	3 in (76 mm)	3.25 in (83 mm)	0.7 in (18 mm)	0.35 in (8.9 mm)	12 in (300 mm)	0.25 in (6.2 mm)	13.25 in (336.5 mm)	½ in nptm	7/8 hex. (22 mm)
B525	5 in (127 mm)	5.1 in (130 mm)	0.7 in (18 mm)	0.35 in (8.9 mm)	2.5 in (63 mm)	0.25 in (6.2 mm)	3.56 in (90.5 mm)	½ in nptm	7/8 hex. (22 mm)
B540	5 in (127 mm)	5.1 in (130 mm)	0.7 in (18 mm)	0.35 in (8.9 mm)	4 in (100 mm)	0.25 in (6.2 mm)	5.1 in (130 mm)	½ in nptm	7/8 hex. (22 mm)
B560	5 in (127 mm)	5.1 in (130 mm)	0.7 in (18 mm)	0.35 in (8.9 mm)	6 in (150 mm)	0.25 in (6.2 mm)	7.1 in (180 mm)	½ in nptm	7/8 hex. (22 mm)
B590	5 in (127 mm)	5.1 in (130 mm)	0.7 in (18 mm)	0.35 in (8.9 mm)	9 in (227 mm)	0.25 in (6.2 mm)	10.2 in (259 mm)	½ in nptm	7/8 hex. (22 mm)
B5120	5 in (127 mm)	5.1 in (130 mm)	0.7 in (18 mm)	0.35 in (8.9 mm)	12 in (300 mm)	0.25 in (6.2 mm)	13.25 in (336.5 mm)	½ in nptm	7/8 hex. (22 mm)

BIMETAL THERMOMETER 3 AND 5 in 304 STAINLESS STEEL (CONTINUED)
CENTER BACK FIXED STEM
MODELS B3 AND B5

To order, use the code in the corresponding column

Range	MODEL B3 3 in (76 mm) Ø fixed stem length (center back connection 1/2 in nptm)				
	2 1/2 in (63 mm)	4 in (100 mm)	6 in (150 mm)	9 in (225 mm)	12 in (300 mm)
-40 to 160°F / -40 to 70°C	B325-01	B340-01	B360-01	B390-01	
30 to 240°F / 0 to 115°C	B325-03	B340-03	B360-03	B390-03	
50 to 300°F / 10 to 150°C	B325-05	B340-05	B360-05	B390-05	
50 to 500°F / 10 to 260°C	B325-07	B340-07	B360-07	B390-07	
0 to 250°F / -20 to 120°C	B325-09	B340-09	B360-09	B390-09	B3120-09
200 to 1,000°F / 90 to 540°C	B325-11	B340-11	B360-11	B390-11	B3120-11
25 to 125°F / -5 to 50°C	B325-12				

Range	MODEL B5 5 in (127 mm) Ø fixed stem length (center back connection 1/2 in nptm)				
	2 1/2 in (63 mm)	4 in (100 mm)	6 in (150 mm)	9 in (225 mm)	12 in (300 mm)
-40 to 160°F / -40 to 70°C	B525-01	B540-01	B560-01	B590-01	
30 to 240°F / 0 to 115°C	B525-03	B540-03	B560-03	B590-03	
50 to 300°F / 10 to 150°C	B525-05	B540-05	B560-05	B590-05	
50 to 500°F / 10 to 260°C	B525-07	B540-07	B560-07	B590-07	
0 to 250°F / -20 to 120°C	B525-09	B540-09	B560-09	B590-09	
200 to 1,000°F / 90 to 540°C	B525-11	B540-11	B560-11	B590-11	B5120-11

Option

Other ranges and stem lengths are available upon request.