

ACCUTRAK™ ROTARY POSITION MONITORS

INCREASED SAFETY/ENCAPSULATION – ATEX/IEC

Fully integrated and encapsulated rotary valve position monitors. They provide clear status information and eliminate the need for additional barriers and junction boxes



FEATURES

- Increased Safety/Encapsulation design meeting a wide range of worldwide approvals.
- Strong durable Beacon™ offers 360° visual indication in a choice of styles and colors.
- Cost effective alternative to Ex d units in specific applications.
- Touch set cams are hand adjustable, spring loaded and self-locking providing quick calibration of position switches and sensors.
- Terminal strips are pre-wired and numbered with generous working space for ease of use.
- Additional conduit for easy field wiring and mounting accessories as standard.
- Wide range of switches and sensors.
- Switch stabilisation plate.
- Standardized mounting pattern for easy adaptation to common bracketry.
- Range of drive shaft options.
- Engineered resin enclosure is robust, lightweight and provides exceptional chemical, UV and impact resistance.
- Aluminum enclosures with ultra-low copper content (0.2% maximum) ensure robust performance in corrosive environments.
- Rugged stainless steel enclosure option.
- IP rated plugs certified where applicable.

TECHNICAL DATA

Agency approvals

Area classification (ATEX/IEC)	Ex II 2GD Ex mb e IIC T* Gb Ex tb IIIC T*°C Db IP6X
--------------------------------	---

Enclosure standards (IEC)

Aluminum & stainless steel	IP66/67
Engineered resin (3400)	IP66/67/68
Engineered resin (8400)	IP66/67

Switches

All models	Magnum SPDT (hermetically sealed proximity type) switches
------------	---

Enclosures

All models	Engineered resin Aluminum Stainless steel
------------	---

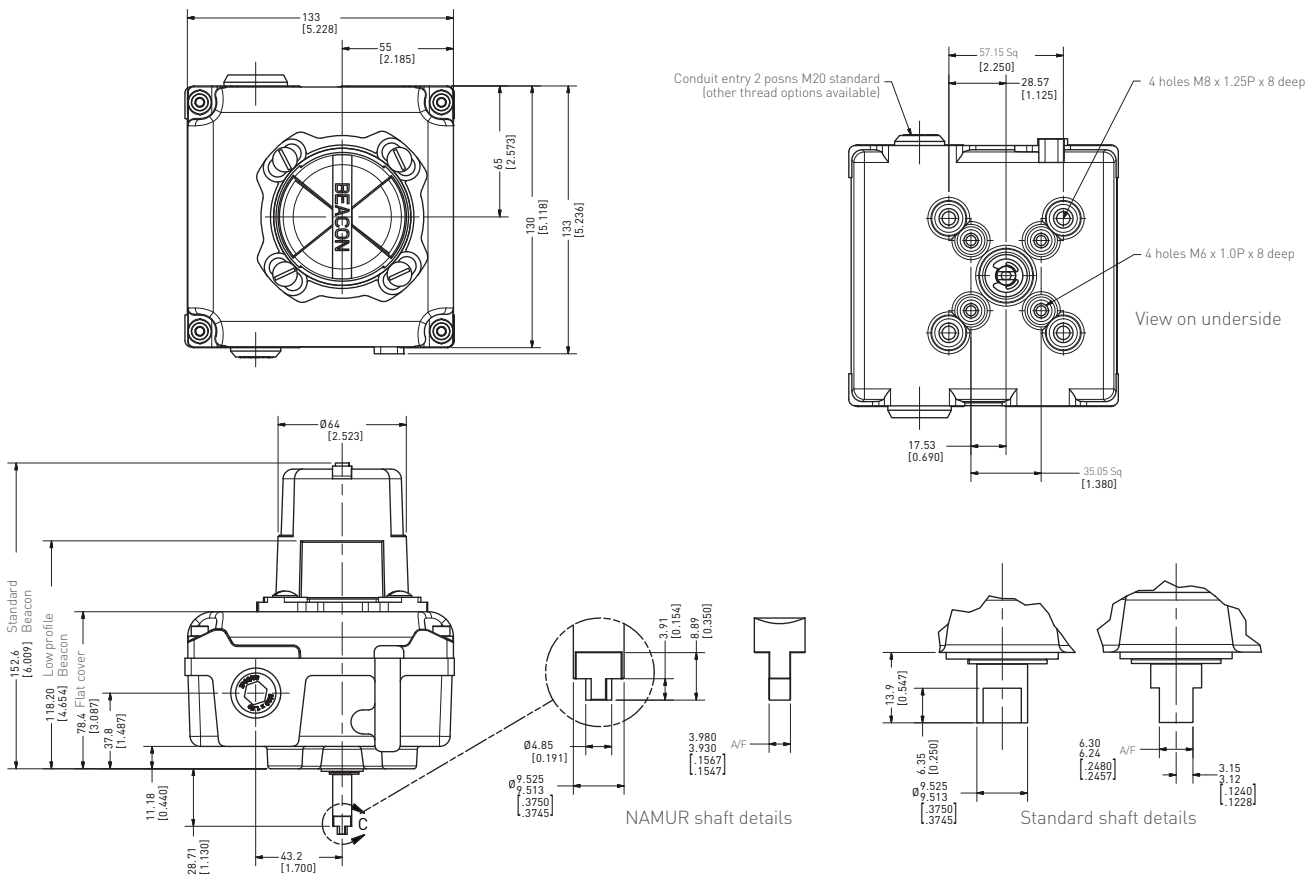
GENERAL APPLICATION

AccuTrak position monitors are ideal for manual and automated rotary valves. They provide consistent and accurate valve monitoring in a compact unit which can be mounted directly or via a valve actuator.

ACCUTRAK™ ROTARY POSITION MONITORS

INCREASED SAFETY/ENCAPSULATION – ATEX/IEC

3400 SERIES RESIN ENCLOSURE DIMENSIONS



Dimensions in mm, imperial dimensions (inches) in parenthesis

TECHNICAL SPECIFICATIONS

Materials of construction

Enclosure	Engineered resin
Shaft and hardware	Stainless steel
Bushing	Nylon
Beacon visual indicator	Co-polyester

Drive shaft

Westlock standard	Double-D with 1/4" A/F
NAMUR standard	NAMUR standard VDI/VDE 3845

Available switches

	Magnum, SPDT (hermetically sealed proximity type) switches
--	--

NOTES

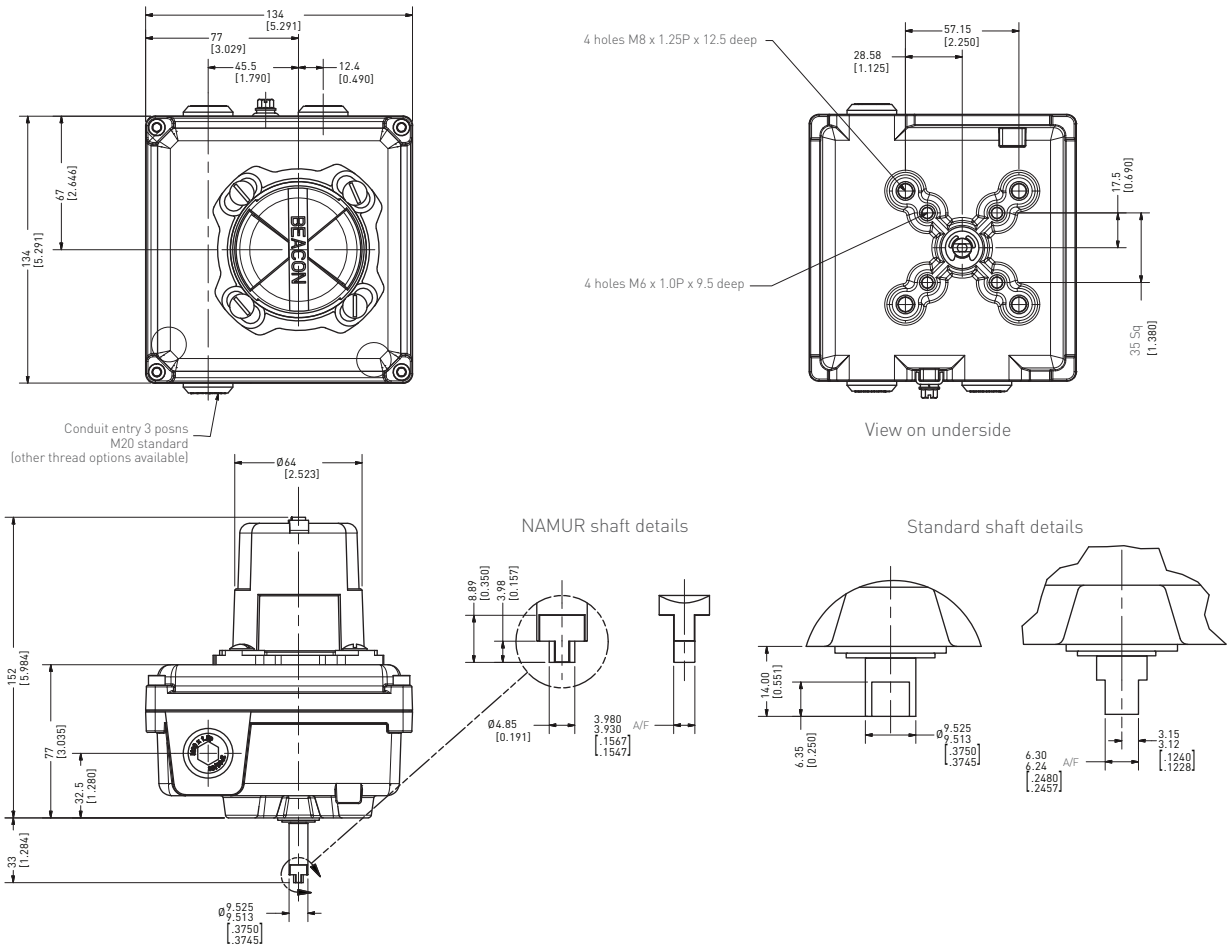
1. See selection guide for standard conduit entries
2. See switches & sensors data sheet for further information
3. Please consult your sales office for any other requirements



ACCUTRAK™ ROTARY POSITION MONITORS

INCREASED SAFETY/ENCAPSULATION – ATEX/IEC

3400 SERIES ALUMINUM AND STAINLESS STEEL ENCLOSURE DIMENSIONS



Dimensions in mm, imperial dimensions (inches) in parenthesis

TECHNICAL SPECIFICATIONS

Materials of construction

Enclosure	Aluminum with powder coat finish Stainless steel with electropolished finish
Shaft and hardware	Stainless steel
Bushing	Oil impregnated bronze (aluminum enclosure) PTFE (stainless steel enclosure)
Beacon visual indicator	Co-polyester

Drive shaft

Westlock standard	Double-D with 1/4" A/F
NAMUR standard	NAMUR standard VDI/VDE 3845

Available switches

	Magnum, SPDT (hermetically sealed proximity type) switches
--	--

NOTES

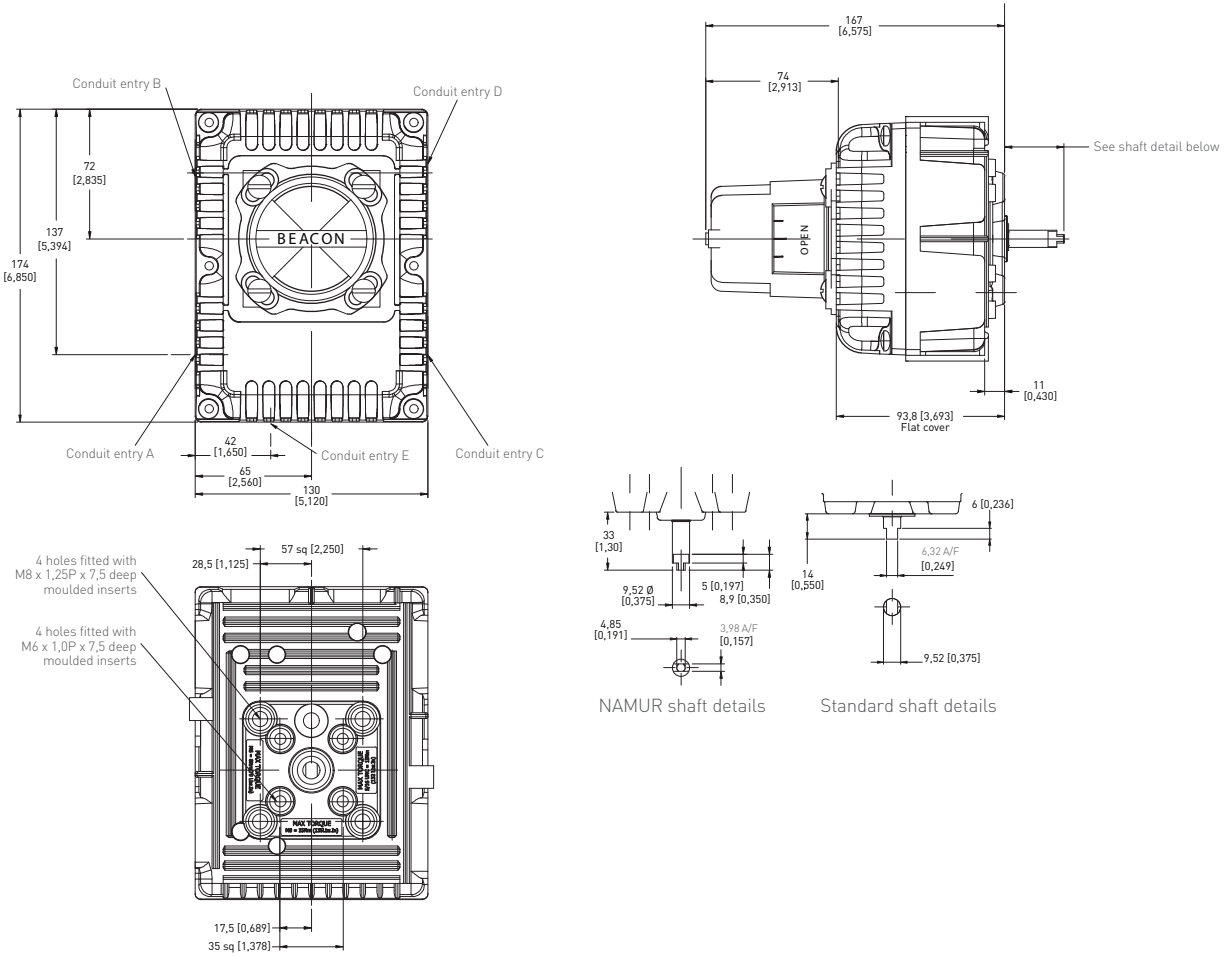
1. See selection guide for standard conduit entries
2. See switches & sensors data sheet for further information
3. Please consult your sales office for any other requirements



ACCUTRAK™ ROTARY POSITION MONITORS

INCREASED SAFETY/ENCAPSULATION – ATEX/IEC

8400 SERIES RESIN ENCLOSURE DIMENSIONS



Dimensions in mm, imperial dimensions (inches) in parenthesis

TECHNICAL SPECIFICATIONS

Materials of construction

Enclosure	Engineered resin
Shaft and hardware	Stainless steel
Bushing	Nylon
Beacon visual indicator	Co-polyester

Drive shaft

Westlock standard	Double-D with 1/4" A/F
NAMUR standard	NAMUR standard VDI/VDE 3845

Available switches

	Magnum, SPDT (hermetically sealed proximity type) switches
--	--

NOTES

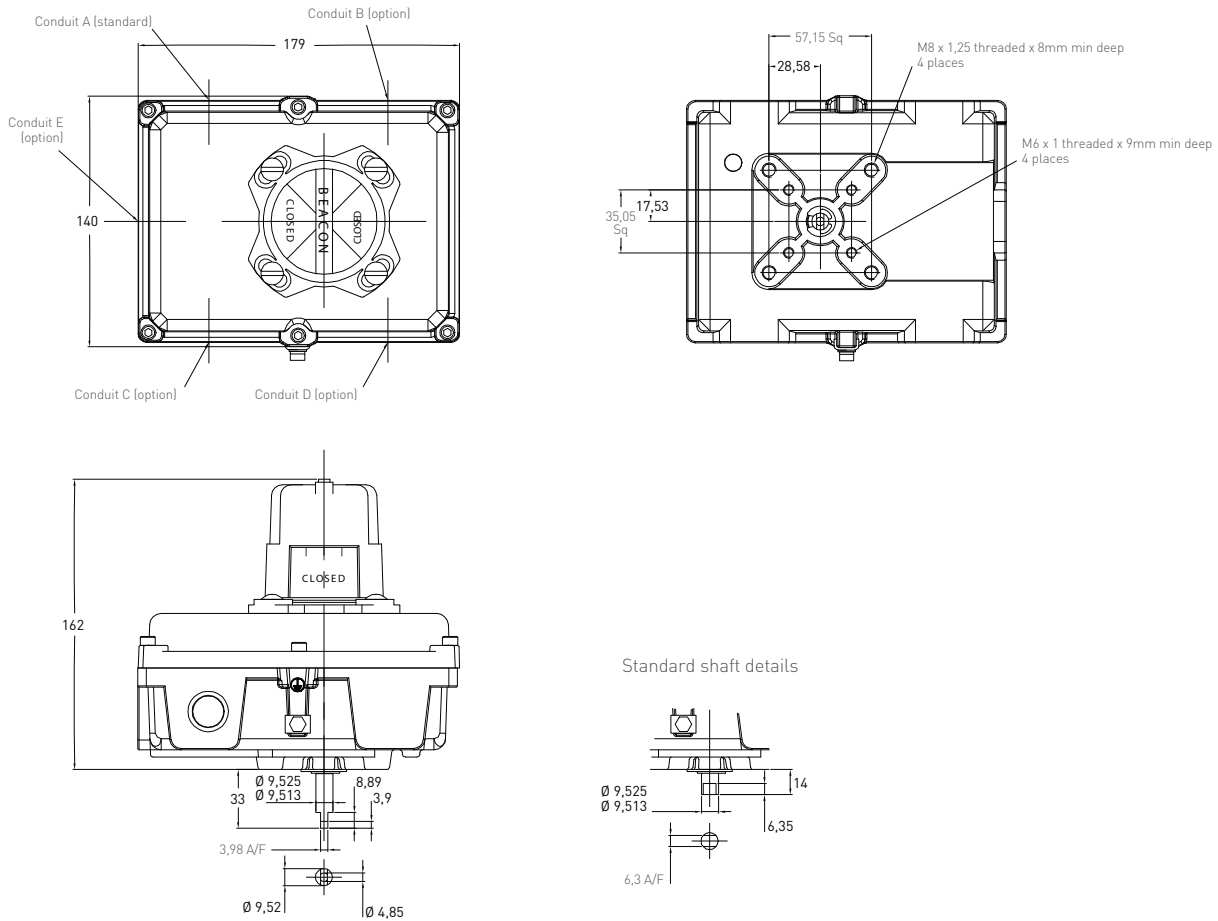
1. See selection guide for standard conduit entries
2. See switches & sensors data sheet for further information
3. Please consult your sales office for any other requirements



ACCUTRAK™ ROTARY POSITION MONITORS

INCREASED SAFETY/ENCAPSULATION – ATEX/IEC

8400 SERIES ALUMINUM AND STAINLESS STEEL ENCLOSURE DIMENSIONS



Dimensions in mm, imperial dimensions (inches) in parenthesis

TECHNICAL SPECIFICATIONS

Materials of construction

Enclosure	Aluminum with powder coat finish Stainless steel with electropolished finish
Shaft and hardware	Stainless steel
Bushing	Oil impregnated bronze (aluminum enclosure) PTFE (stainless steel enclosure)
Beacon visual indicator	Co-polyester

Drive shaft

Westlock standard	Double-D with 1/4" A/F
NAMUR standard	NAMUR standard VDI/VDE 3845

Available switches

Magnum, SPDT (hermetically sealed proximity type) switches

NOTES

1. See selection guide for standard conduit entries
2. See switches & sensors data sheet for further information
3. Please consult your sales office for any other requirements

ACCUTRAK™ ENCAPSULATED ROTARY POSITION MONITORS

MODELS 3400 AND 8400 SELECTION GUIDE

Housing												
34	3400											
84	8400											
Cover style												
4	With Beacon											
6	Flat cover											
Switch type												
9	Magnum XT90 proximity switch											
0	No switches fitted											
Material												
A	Aluminum											
R	Engineered resin											
S	Stainless steel											
Beacon type and color												
BY	Black/Yellow	B1	BM3-1 pattern 90°									
LY	Black/Yellow low profile	B3	BM3-3 pattern 90°									
AR	ANSI Red/White	B5	BM3-5 pattern 90°									
GR	Green/Red	B7	BM3-7 pattern 180°									
00	No Beacon fitted	B9	BM3-9 pattern 180°									
Drive shaft type												
S	Westlock standard – ¼" A/F (6.32 mm)											
N	NAMUR standard shaft – VDI/VDE 3845											
*	Non-standard (consult sales office)											
Ancillary options												
000	No ancillary options											
***	Non-standard material and build (consult sales office)											
Switch/sensor quantity												
0	No switch fitted											
1	One switch											
2	Two switches											
3	Three switches (consult sales office)											
4	Four switches (consult sales office)											
Conduit entries supplied												
2	Two entries – standard all enclosures											
3	Three entries (consult sales office for 3400 series)											
4	Four entries (8400 series only)											
5	Five entries (consult sales office for 8400 series only)											
Unit specification												
AAA	Standard build- 1 x M20 & 1 x M25 conduit entries											
ADZ	¾" NPT conduit entries											
DAV	M25 conduit entries											
FAN	½" NPT conduit entries											
LAY	M20 conduit entries											
***	Non-standard material (consult sales office)											
Certification												
A	ATEX & IECEx											
*	Other options (consult sales office)											
Revision												
R*	Internal revision #											
34	4	9	A	BY	N	000	2	2	AAA	A	R1	= Model number 3449ABYN00022AAA-AR1

NOTES

1. Please contact your sales office for guidance on selecting the best possible combination for your control and monitoring requirements.
2. See Hazardous area classification technical bulletin for further information on global standards.



WESTLOCK CONTROLS
280 N. Midland Avenue, Ste 258
Saddle Brook, NJ 07663
United States

Crane Co., and its subsidiaries cannot accept responsibility for possible errors in catalogues, brochures, other printed materials, and website information. Crane Co. reserves the right to alter its products without notice, including products already on order provided that such alteration can be made without changes being necessary in specifications already agreed. All trademarks in this material are the property of the Crane Co. or its subsidiaries. The Crane and Crane brands logotype (WESTLOCK CONTROLS®) are registered trademarks of Crane Co. All rights reserved.