

ACCUTRAK™ ROTARY POSITION MONITORS

EXPLOSIONPROOF – NEC

Fully integrated and encapsulated rotary valve position monitors that are certified for use in explosive atmospheres



FEATURES

- Touch set cams are hand adjustable, spring loaded and self-locking providing quick calibration of position switches and sensors.
- Terminal strips are pre-wired and numbered with generous working space for ease of use.
- Strong durable Beacon™ offers 360° visual indication in a choice of styles and colors.
- Additional conduit for easy field wiring and mounting accessories as standard.
- Standardized mounting pattern for easy adaptation to common bracketry.
- NAMUR shaft output compliant to VDI/VDE 3845 available.
- Analog position transmitter option.
- Eliminator option for easy integration of external solenoid valve.
- Aluminum enclosures with ultra-low copper content (0.2% maximum) ensure robust performance in corrosive environments.
- Rugged stainless steel enclosures.

TECHNICAL DATA

Agency approvals

Area classification (NEC 500)
Models 2007/5050/9479

Model 9479
Model 5050
Model 360/366

Enclosure standards (ANSI/NEMA 250)
All enclosures

Switches

Model 2007
Model 5050
Model 9479
Models 360/366

Enclosures

Models 2007/5050/9479/360
Models 2007/9479/366

Class I, Division 1, Groups C & D/ T6 Ta = 60°C
Class II, Division 1, Groups E, F & G/ T6 Ta = 60°C
Class I, Division 2, Groups A,B,C & D/T4 Ta = 60°C
Class II, Division 2, Groups E, F & G/T6 Ta = 50°C
Class I, Division 1, Groups A,B, C & D^[1]
Class II, Division 1, Groups E, F & G^[2]

Type 4, 4X

V3 (SPDT) & DPDT mechanical / G0®
Pepperl + Fuchs model NJ2-V3-N
Magnum / MagPAC
V3 (SPDT) & DPDT mechanical / Magnum

Aluminum
Stainless steel

GENERAL APPLICATION

AccuTrak position monitors are ideal for manual and automated rotary valves. They provide consistent and accurate valve monitoring in a compact unit which can be mounted directly or via a valve actuator.

NOTES

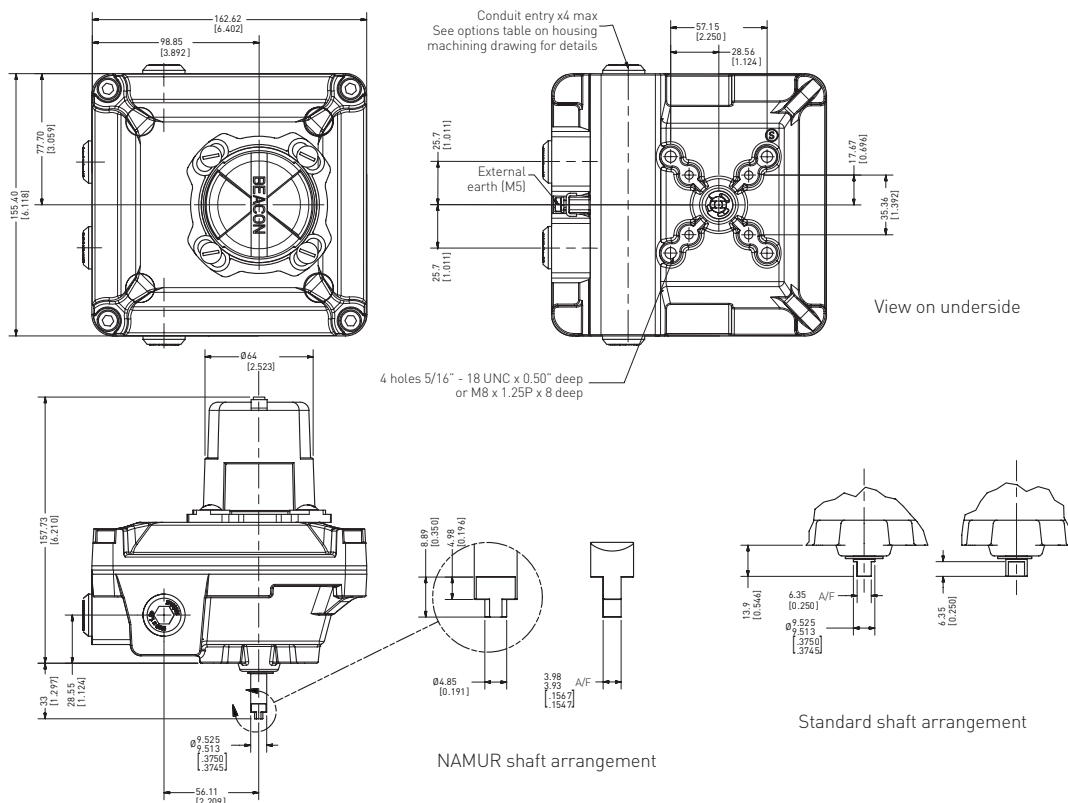
^[1] Groups C & D only with eliminator conduit option

^[2] Groups F & G only with eliminator conduit option

ACCUTRAK™ ROTARY POSITION MONITORS

EXPLOSIONPROOF – NEC

MODELS 2007/5050/9479 DIMENSIONS



Dimensions in inches, where available metric dimension (mm) in parentheses

TECHNICAL SPECIFICATIONS

Materials of construction

| | |
|-------------------------|----------------------------------|
| Enclosure | Aluminum with powder coat finish |
| Shaft and hardware | Stainless steel |
| Bushing | Oil impregnated bronze |
| Beacon visual indicator | Co-polyester |

Drive shaft

| | |
|-------------------|-----------------------------|
| Westlock standard | Double-D with 1/4" A/F |
| NAMUR standard | NAMUR standard VDI/VDE 3845 |

Available switches

| | |
|------------|--|
| Model 2007 | V3 mechanical switches, SPDT DPDT (Form CC) mechanical switches GO® switches |
| Model 5050 | Pepperl + Fuchs model NJ2-V3-N |
| Model 9479 | Magnum (hermetically sealed proximity type) MagPAC bifurcated switch pack |

Options

| | |
|------------------|------------------------------|
| Models 2007/9479 | Stainless steel enclosure |
| Models 2007/9479 | 4-20 mA position transmitter |

NOTES

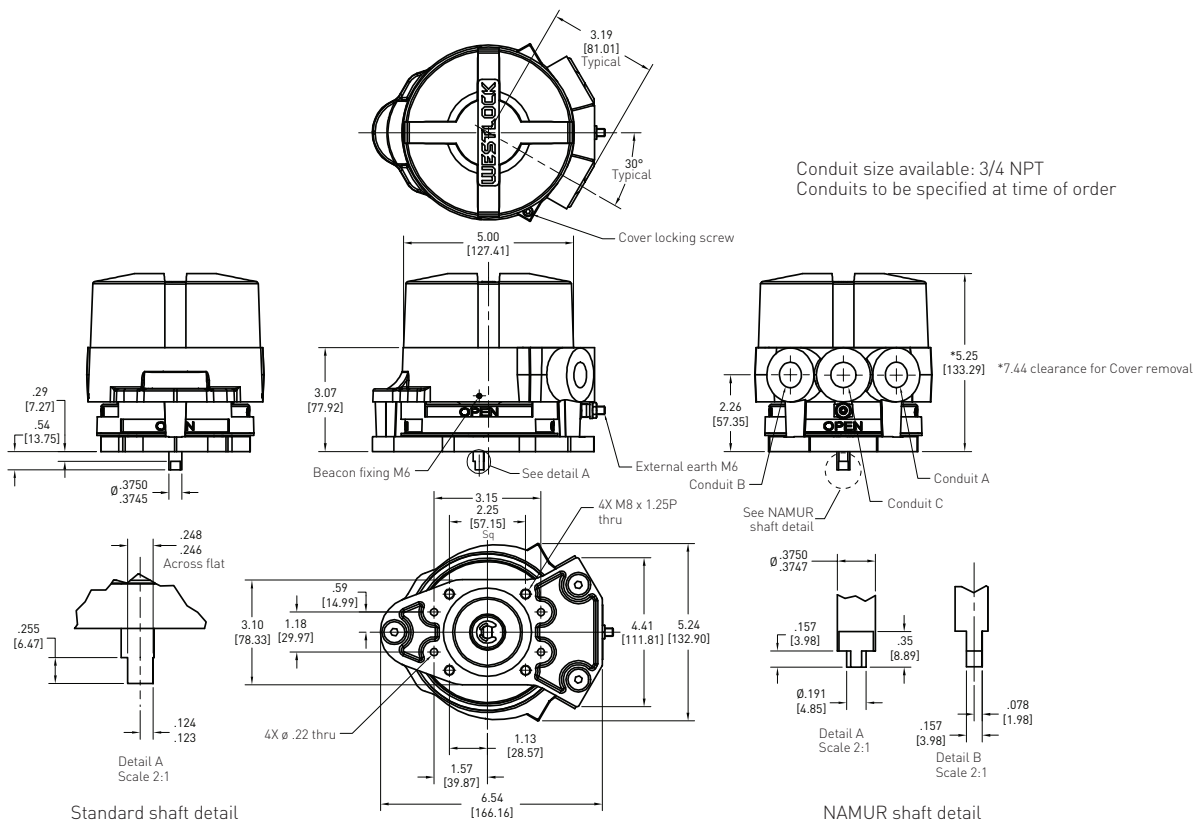
1. See selection guide for standard conduit entries
2. See switches & sensors data sheet for further information
3. A specialist eliminator fitting is available for the mounting of an aftermarket solenoid valve
4. Please consult your sales office for any other requirements



ACCUTRAK™ ROTARY POSITION MONITORS

EXPLOSIONPROOF – NEC

MODELS 360/366 DIMENSIONS



Dimensions in inches, where available metric dimension (mm) in parentheses

TECHNICAL SPECIFICATIONS

Materials of construction

| | |
|-------------------------|---|
| Enclosure | |
| Model 360 | Aluminum with powder coat finish |
| Model 366 | Stainless steel with electropolished finish |
| Shaft and hardware | Stainless steel |
| Bushing | Oil impregnated bronze |
| Beacon visual indicator | Co-polyester |

Drive shaft

| | |
|-------------------|-----------------------------|
| Westlock standard | Double-D with 1/4" A/F |
| NAMUR standard | NAMUR standard VDI/VDE 3845 |

Available switches

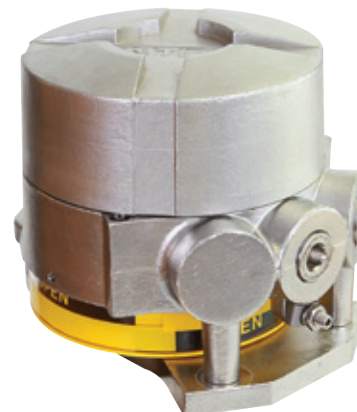
| | |
|--|---|
| | V3 mechanical switches, SPDT |
| | DPDT (Form CC) mechanical switches |
| | Magnum, SPDT hermetically sealed switches, with tungsten contacts |
| | Magnum, SPDT hermetically sealed switches, with rhodium contacts |

Options

| | |
|----------------|------------------------------|
| Models 360/366 | 4-20 mA position transmitter |
|----------------|------------------------------|

NOTES

1. See selection guide for standard conduit entries
2. See switches & sensors data sheet for further information
3. A specialist eliminator fitting is available for the mounting of an aftermarket solenoid valve
4. Please consult your sales office for any other requirements



ACCUTRAK™ EXPLOSIONPROOF ROTARY POSITION MONITORS

MODEL 2007 SELECTION GUIDE

Base model

2007 Aluminum enclosure

Shaft output

- S Standard (double-D with ¼" Flats)
- N NAMUR

Beacon

- BY BM2-Y (standard)
- RG BM2-RG (Red Closed/Green Open)
- FE BM2-Y-FE (French/English)
- AB BM2-B
- AR BM2-R
- B1 BM3-1
- B3 BM3-3
- B5 BM3-5
- B7 BM3-7
- B9 BM3-9
- FC Flat cover

Conduit

- 2B Two ¾" NPT (F)
- 4B Four ¾" NPT (F)
- 2E One ¾" NPT (F) and one ½" NPT (M) eliminator fitting
- 4E Three ¾" NPT (F) and one ½" NPT (M) eliminator fitting
- 4F Two ¾" NPT (F) and two ½" NPT (M) eliminator fittings

Position switches

- 2M02 Two SPDT mechanical switches - 8 pt. TS
- 4M02 Four SPDT mechanical switches - 16 pt. TS
- 6M02 Six SPDT mechanical switches - 24 pt. TS
- 2M04 Two DPDT mechanical switches - 16 pt. TS
- 4M04 Four DPDT mechanical switches - 24 pt. TS
- 2M03 Two SPDT GO® switches - 12 pt. TS
- 4M03 Four SPDT GO® switches - 16 pt. TS

Analog position transmitter

- 00 None
- CS 4-20 mA position transmitter (not available with 4M04, 6M02, 2M03, 4M03 switch options)
12 pt. TS w/2M02;
16 pt. TS w/2M04 and 4M02

2007 N BY 2B 2M02 00 = Model number **2007NBY2B2M0200**

NOTES

1. Please contact your sales office for guidance on selecting the best possible combination for your control and monitoring requirements.
2. See Hazardous area classification technical bulletin for further information on global standards.
3. For stainless steel enclosure, please add 00124 to the end of your part number built with the selection guide above.

ACCUTRAK™ EXPLOSIONPROOF ROTARY POSITION MONITORS

MODEL 5050 SELECTION GUIDE

Base model

5050 Aluminum enclosure

Shaft output

S Standard (double-D with ¼" Flats)
N NAMUR

Beacon

BY BM2-Y (standard)
RG BM2-RG (Red Closed/Green Open)
FE BM2-Y-FE (French/English)
AB BM2-B
AR BM2-R
B1 BM3-1
B3 BM3-3
B5 BM3-5
B7 BM3-7
B9 BM3-9
FC Flat cover

Conduit

2B Two ¾" NPT (F)
4B Four ¾" NPT (F)
2E One ¾" NPT (F) and one ½" NPT (M) eliminator fitting
4E Three ¾" NPT (F) and one ½" NPT (M) eliminator fitting
4F Two ¾" NPT (F) and two ½" NPT (M) eliminator fittings

Position switches

2M08 Two P+F sensors model NJ2-V3-N - 8 pt. TS

Analog position transmitter

00 Not available

5050 N BY 2E 2M08 00 = Model number **5050NBY2E2M0800**

NOTES

1. Please contact your sales office for guidance on selecting the best possible combination for your control and monitoring requirements.
2. See Hazardous area classification technical bulletin for further information on global standards.

ACCUTRAK™ EXPLOSIONPROOF ROTARY POSITION MONITORS

MODEL 9479 SELECTION GUIDE

Base model

9479 Aluminum enclosure

Shaft output

- S Standard (double-D with ¼" Flats)
- N NAMUR

Beacon

- BY BM2-Y (standard)
- RG BM2-RG (Red Closed/Green Open)
- FE BM2-Y-FE (French/English)
- AB BM2-B
- AR BM2-R
- B1 BM3-1
- B3 BM3-3
- B5 BM3-5
- B7 BM3-7
- B9 BM3-9
- FC Flat cover

Conduit

- 2B Two ¾" NPT (F)
- 4B Four ¾" NPT (F)
- 2E One ¾" NPT (F) and one ½" NPT (M) eliminator fitting
- 4E Three ¾" NPT (F) and one ½" NPT (M) eliminator fitting
- 4F Two ¾" NPT (F) and two ½" NPT (M) eliminator fittings

Position switches

- 2M06 Two SPDT Magnum switches with tungsten contacts - 8 pt. TS
- 2M12 Two SPDT Magnum switches with rhodium contacts - 8 pt. TS
- 2M13 MagPAC module (SPST bifurcated switches with LEDs)
- 4M06 Four SPDT Magnum switches with tungsten contacts - 16 pt. TS
- 4M12 Four SPDT Magnum switches with rhodium contacts - 16 pt. TS
- 6M06 Six SPDT Magnum switches with tungsten contacts - 24 pt. TS
- 6M12 Six SPDT Magnum switches with rhodium contacts - 24 pt. TS

Analog position transmitter

- 00 None
- CS 4-20 mA position transmitter (not available w/6M06 and 6M12)
- 12 pt. TS w/2M06 and 2M12
- 16 pt. TS w/4M06 and 4M12

9479 N BY 2B 2M12 00 = Model number **9479NBY2B2M1200**

NOTES

1. Please contact your sales office for guidance on selecting the best possible combination for your control and monitoring requirements.
2. See Hazardous area classification technical bulletin for further information on global standards.
3. For stainless steel enclosure, please add 00124 to the end of your part number built with the selection guide above.

ACCUTRAK™ EXPLOSIONPROOF ROTARY POSITION MONITORS

MODEL 360/366 SELECTION GUIDE

| Base model | | | | | | |
|-----------------------------|--|----|----|------|----|--------------------------------------|
| 360 | Aluminum enclosure | | | | | |
| 366 | Stainless steel enclosure | | | | | |
| Shaft output | | | | | | |
| S | Standard (double-D with ¼" Flats) | | | | | |
| N | NAMUR | | | | | |
| Beacon | | | | | | |
| BY | BM2-Y (standard) | | | | | |
| RG | BM2-RG (Red Closed/Green Open) | | | | | |
| Conduit | | | | | | |
| 2B | Two ¾" NPT (F) | | | | | |
| 3B | Three ¾" NPT (F) (360/366 only) | | | | | |
| 2E | One ¾" NPT (F) and one ½" NPT (M) eliminator fitting | | | | | |
| 3E | Two ¾" NPT (F) and one ½" NPT (M) eliminator fitting | | | | | |
| Position switches | | | | | | |
| 2M02 | Two SPDT mechanical switches - 10 pt. TS | | | | | |
| 2M04 | Two DPDT mechanical switches - 14 pt. TS | | | | | |
| 2M06 | Two SPDT Magnum switches - 10 pt. TS | | | | | |
| 2M12 | Two SPDT Magnum switches with rhodium contacts - 10 pt. TS | | | | | |
| 4M02 | Four SPDT mechanical switches - 14 pt. TS | | | | | |
| 4M06 | Four SPDT Magnum switches - 14 pt. TS | | | | | |
| 4M12 | Four SPDT Magnum switches with rhodium contacts - 14 pt. TS | | | | | |
| Analog position transmitter | | | | | | |
| 00 | None | | | | | |
| CS | 4-20 mA position transmitter - 10 pt. TS (only available with 2M02, 2M06, 2M12 switch options) | | | | | |
| 360 | N | BY | 2B | 2M12 | 00 | = Model number 360NBY2B2M1200 |

NOTES

1. Please contact your sales office for guidance on selecting the best possible combination for your control and monitoring requirements.
2. See Hazardous area classification technical bulletin for further information on global standards.



www.westlockcontrols.com

Westlock. We reserve the right to change designs and specifications without notice.