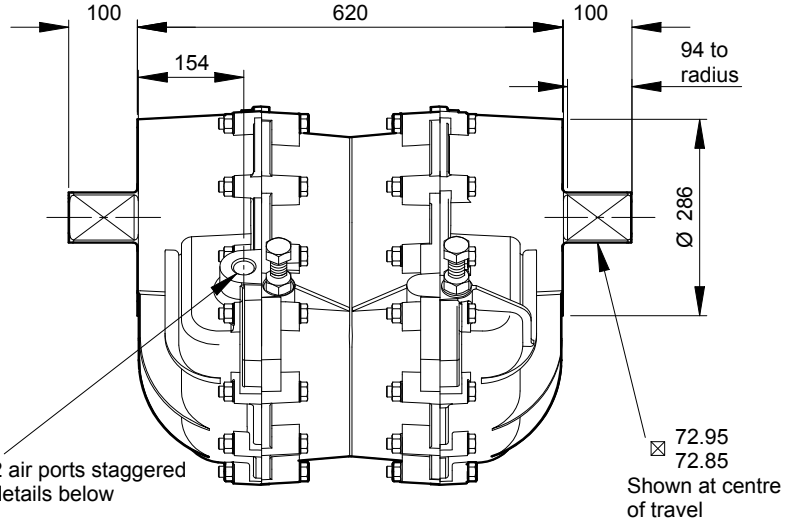
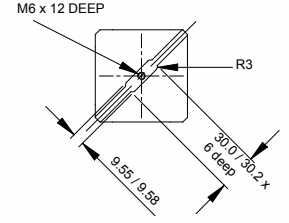
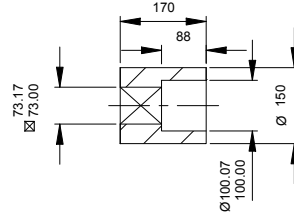


Model 20



Standard Coupling
(supplied with actuator
weight 34 lbs/15.4 kg)

Vane Slot detail both ends



Specification

Output Torque

112000 lbf ins/12760 Nm
at 100 psi/7 bar

Angle of Travel (adjustable)

80° - 100°
(restricted travel versions
available)

Displaced Volume 2034

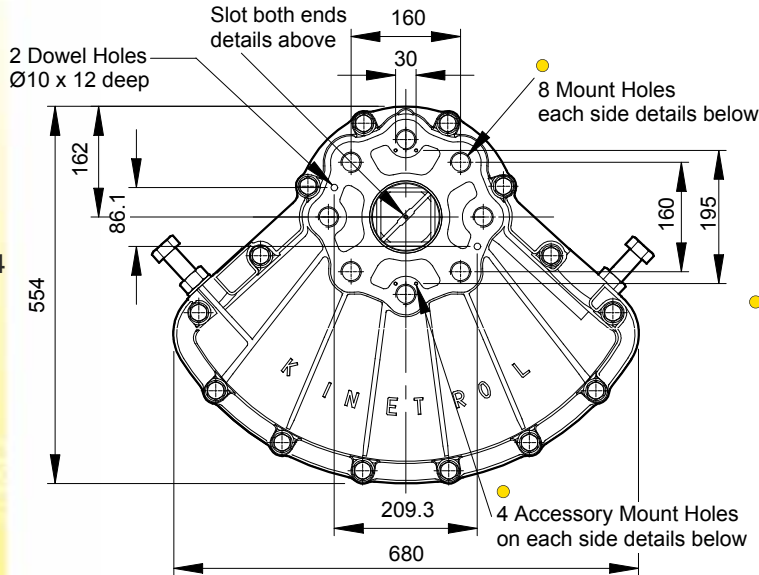
in³/33350 cm³

Finish

Epoxy stove enamel

Weight

440 lb/199.6 kg
(excluding coupling)



● Air Port/Mount Hole Details

Model	Air Ports	Mount Holes & Accessory Mount Holes
204-100	G1	8 x M30 x 50 deep on 226.3 PCD 4 x M5 x 8 deep
207-100	1 NPT	8 x 1 ¹ / ₈ - 7 UNC x 2.00" deep on 8.91" PCD 4 x 10-24 UNC x 0.31" deep



KINETROL