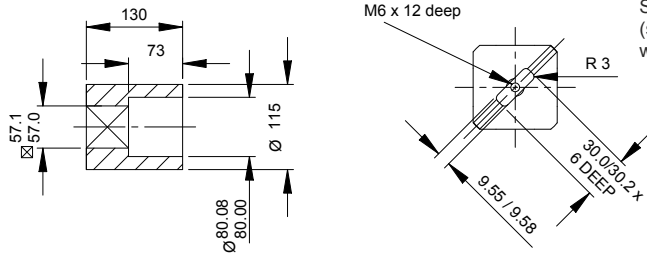
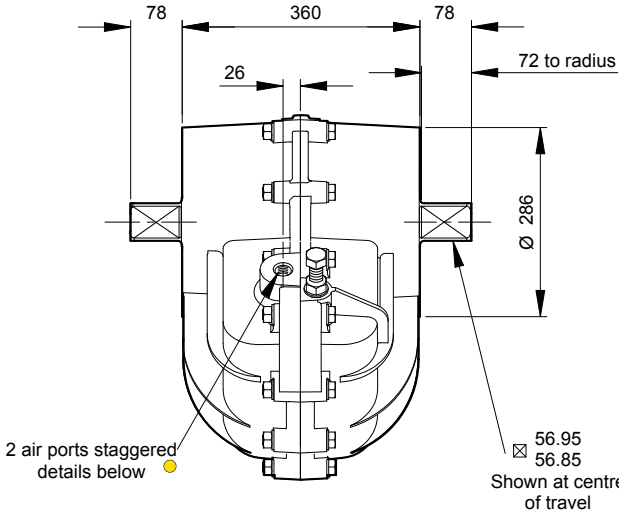


Model 18

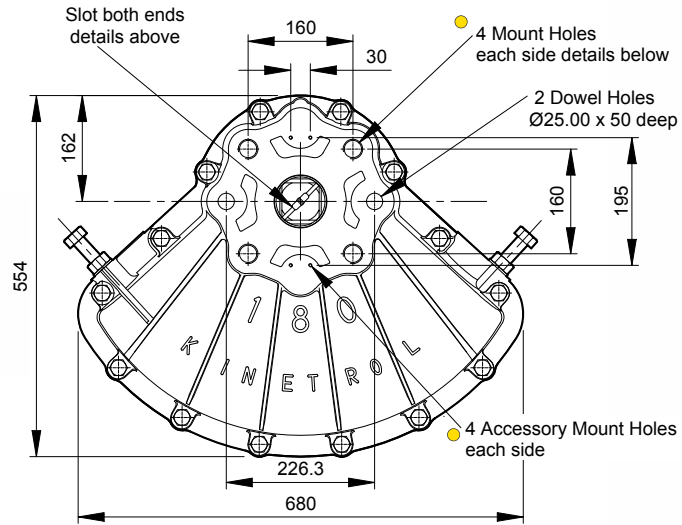


Standard Coupling
(supplied with actuator
weight 13.3 lbs/6 kg)



● Air Port/Mount Hole Details

Model	Air Ports	Mount Holes & Accessory Mount Holes
184-100	G ³ / ₄	4 x M30 x 50 deep on 226.3 PCD 4 x M5 x 8 deep
187-100	3/4 NPT	4 x 1 1/8 - 7 UNC x 2.00" deep on 8.91" PCD 4 x 10-24 UNC x 0.31" deep



Specification

Output Torque

60000 lbf ins/6900 Nm
at 100 psi/7 bar

Angle of Travel (adjustable)

80° - 100°
(restricted travel
versions available)

Displaced Volume

1048 in³/17170 cm³

Finish

Epoxy stove enamel

Weight

194 lb/88 kg
(excluding coupling)



KINETROL