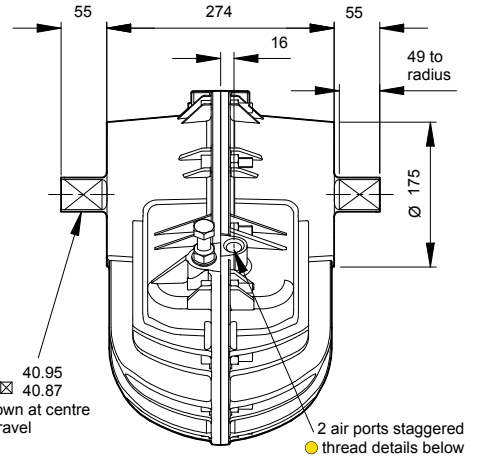
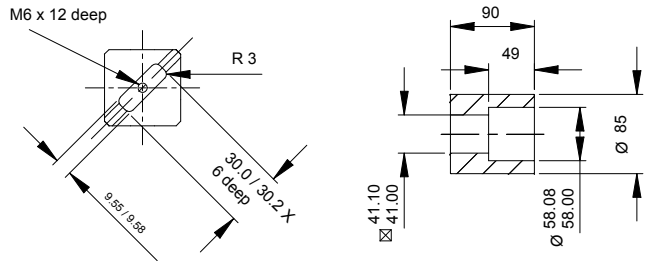


Model 16



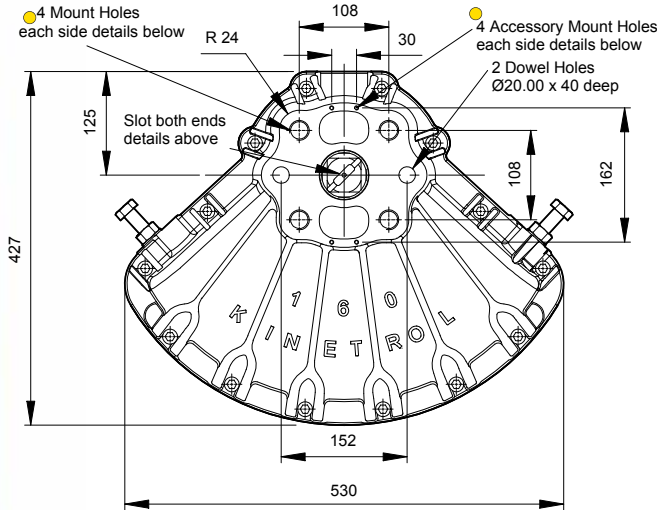
Standard Coupling
(supplied with actuator
weight 5.3 lbs/2.4 kg)

Vane Slot detail both ends



Air Port/Mount Hole Details

Model	Air Ports	Mount Holes & Accessory Mount Holes
164-100	G ¹ / ₂	4 x M24 x 38 deep on 152.7 PCD 4 x M5 x 8 deep
167-100	1/2 NPT	4 x 7/8 - 9 UNC x 1.50" deep on 6.012" PCD 4 x 10-24 UNC x 0.31" deep



Specification

Output Torque

27000 lbf ins/3100 Nm at
100 psi/7 bar

**Angle of Travel
(adjustable)**

80° - 100°
(restricted travel versions
available)

Displaced Volume

465 in³/7630 cm³

Finish

Epoxy stove enamel

Weight

82.5 lb/37.4 kg
(excluding coupling)



KINETROL