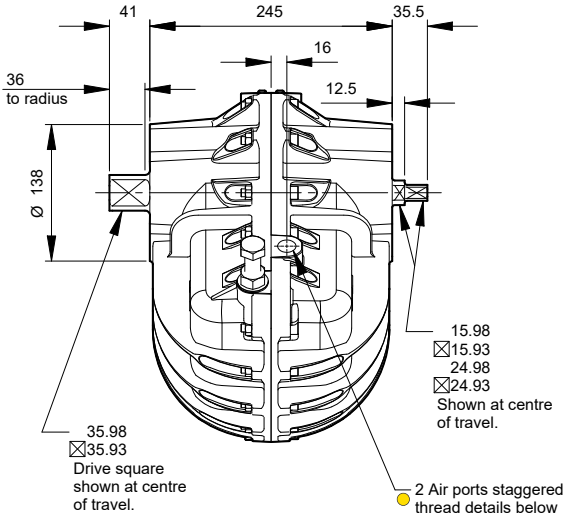
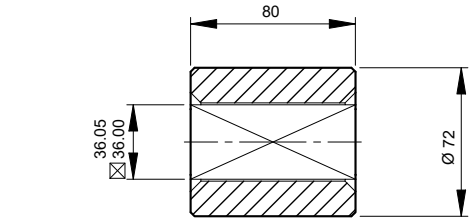




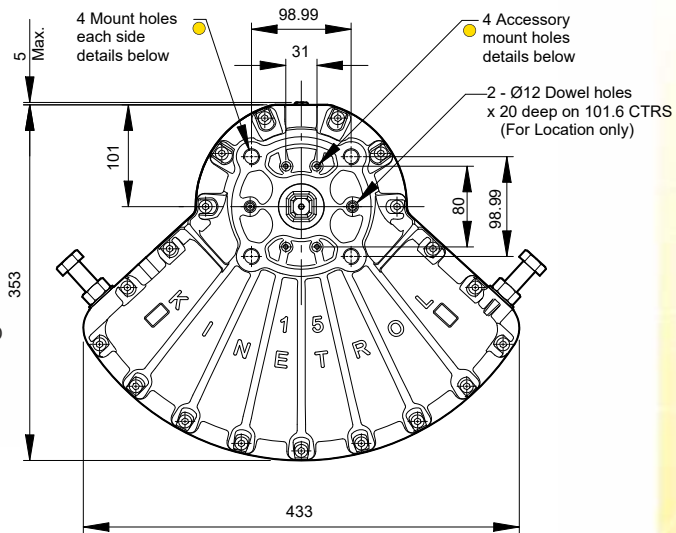
Standard Coupling  
(supplied with actuator  
weight 3.7 lbs/1.7 kg)



**● Air Port/Mount Hole Details**

Model	Air Ports	Mount Holes & Accessory Mount Holes
154-100	G <sup>1</sup> / <sub>2</sub>	4 x M16 x 28.5 deep on 140.0 PCD
		4 x M5 x 10 deep
157-100	1/2 NPT	4 x 5/8 - 11 UNC x 1.12" deep on 5.51" PCD
		4 x 10-24 x 3/8" deep

Visual Red Indicator supplied as standard



## Specification

### Output Torque

20337 lbf ins/2337 Nm  
at 100 psi/7 bar

### Angle of Travel (adjustable)

80° - 100°  
(restricted travel  
versions available)

### Displaced Volume

361 in<sup>3</sup>/5920 cm<sup>3</sup>

### Finish

Epoxy stove enamel

### Weight

46.2 lb/21.0 kg  
(excluding coupling)

