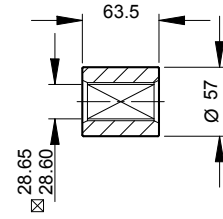


Model 14



Standard Coupling
(supplied with actuator
weight 1.5 lbs/0.7 kg)



Specification

Output Torque

12000 lbf ins/1375 Nm
at 100 psi/7 bar

Angle of Travel (adjustable)

80° - 100°
(restricted travel
versions available)

Displaced Volume

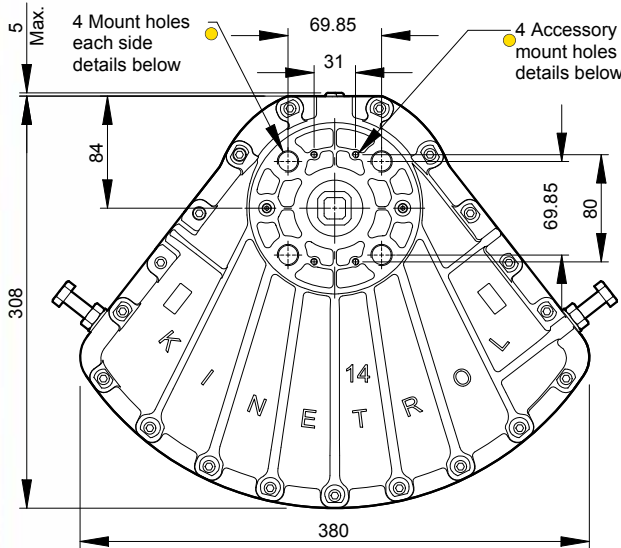
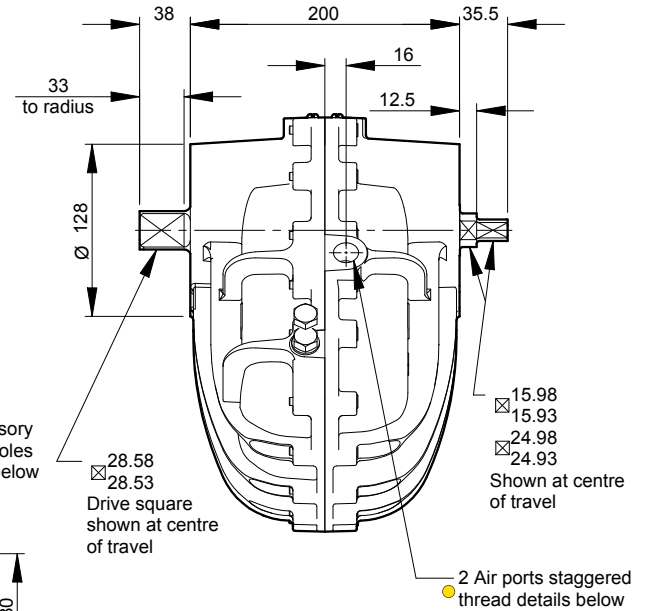
201 in³/3294 cm³

Finish

Epoxy stove enamel

Weight

29.5 lb/13.4 kg
(excluding coupling)



● Air Port/Mount Hole Details

Model	Air Ports	Mount Holes & Accessory Mount Holes
144-100	G ¹ / ₂	4 x M16 x 28.5 deep on 98.8 PCD 4 x M5 x 10 deep
147-100	1/2 NPT	4 x 5/8 - 11 UNC x 1.12" deep on 3.89" PCD 4 x 10-24 x 3/8" deep

Visual Red Indicator supplied as standard



KINETROL