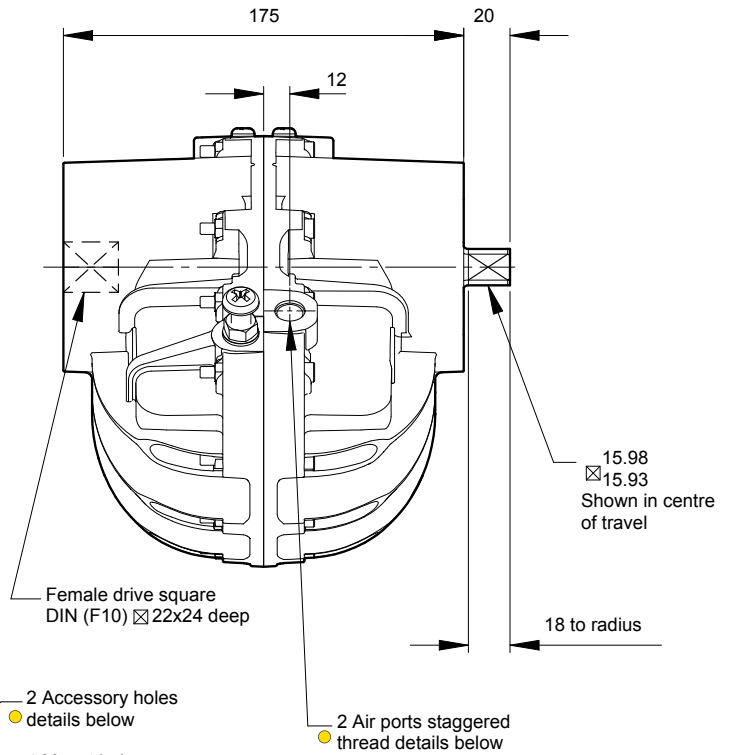


# Model 10



## Specification

### Output Torque

3625 lbf ins/416 Nm  
 at 100 psi/7 bar

### Angle of Travel (adjustable)

78° - 100°  
 (restricted travel versions  
 available)

### Displaced Volume 62.5

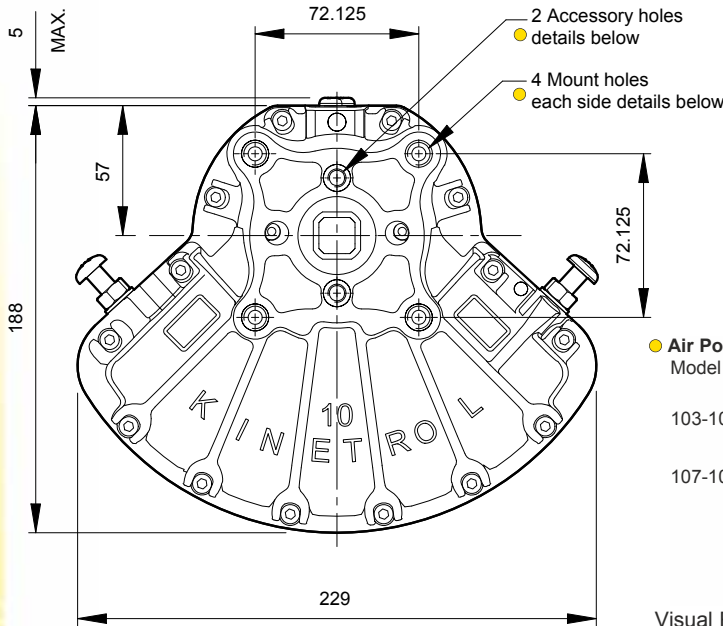
in<sup>3</sup>/1025 cm<sup>3</sup>

### Finish

Epoxy stove enamel

### Weight

11.9 lb/5.4 kg  
 (no coupling)



### ● Air Port/Mount Hole Details

Model	Air Ports	Mount Holes & Accessory Mount Holes
103-100	G <sup>1</sup> / <sub>4</sub>	4 x M10 x 16 deep on 102.0 PCD 2 x M8 x 16 deep on 50.8 PCD
107-100	1/4 NPT	4 x 3/8 - 16 UNC x 0.63" deep on 4.02" PCD 2 x 3/8 - 16 UNC x 0.63" deep on 2.00" PCD

Visual Red Indicator supplied as standard



KINETROL