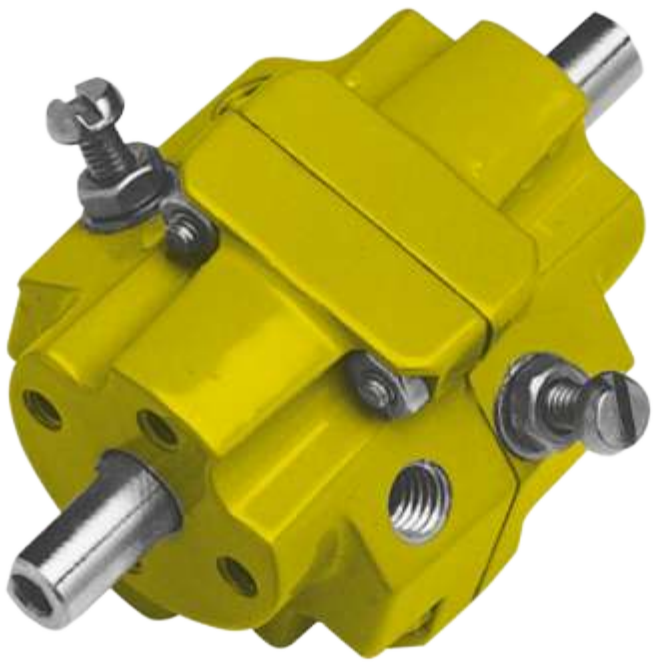


# Model 0M0 (miniature)



## Specification

### Output Torque

8.0 lbf ins/0.9 Nm  
at 100 psi/7 bar

### Angle of Travel (adjustable)

80° - 100°  
(restricted travel  
versions available)

### Displaced Volume

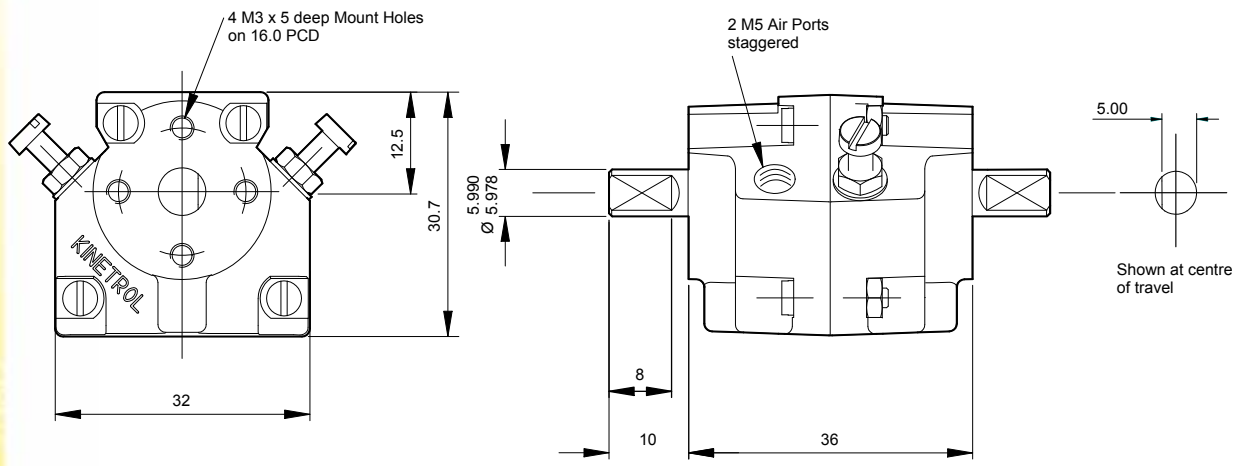
0.15 in<sup>3</sup>/2.4 cm<sup>3</sup>

### Finish

Epoxy stove enamel

### Weight

0.26 lb/0.12 kg



MODEL: 0M0-100