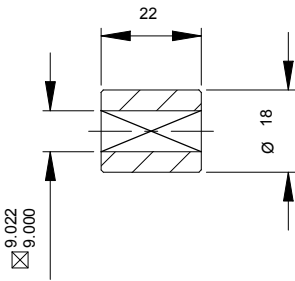
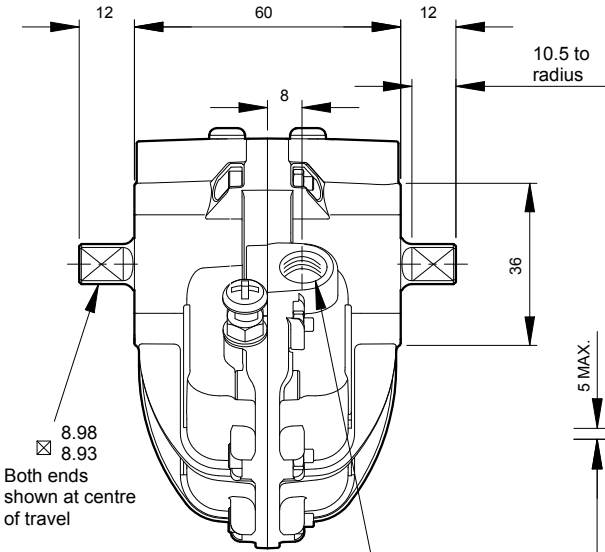


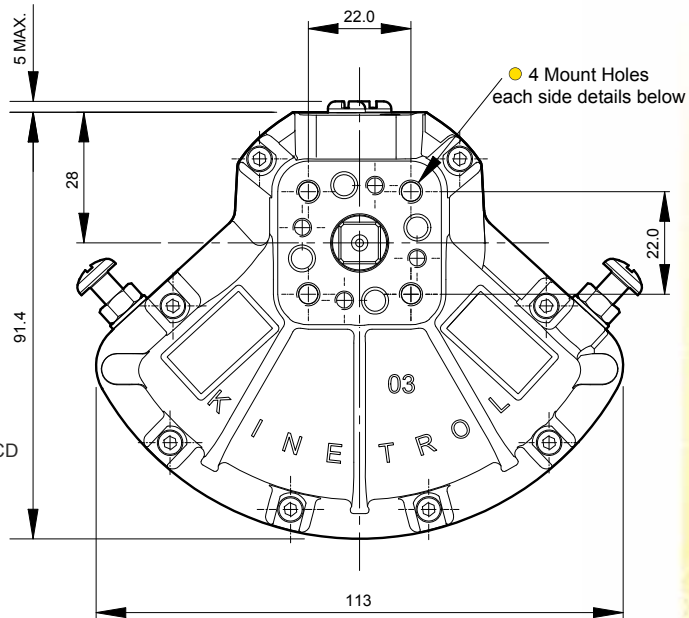
# Model 03



Standard Coupling  
(supplied with actuator  
weight 0.07 lbs/0.03 kg)



● 2 Air ports staggered  
thread details below



● Air Port/Mount Hole Details

Model	Air Ports	Mount Holes
034-100	G <sup>1</sup> / <sub>8</sub>	4 x M5 x 10 deep on 31.1 PCD
037-100	1/8 NPT	4 x 10-24 UNC x 0.39" deep on 1.225" PCD

Visual Red Indicator supplied as standard

## Specification

### Output Torque

220 lbf ins/25 Nm  
at 100 psi/7 bar

### Angle of Travel (adjustable)

80° - 100°  
(restricted travel  
versions available)

### Displaced Volume

3.66 in<sup>3</sup>/60 cm<sup>3</sup>

### Finish

Epoxy stove enamel

### Weight

1.53 lb/0.70 kg  
(excluding coupling)



**KINETROL**