

Self-Cleaning Pump Intake Screens

ISF

Protect commercial/industrial pumps and water systems from surface water organics & debris

Wherever unprotected pump intakes are threatened by organic debris and other troublesome floating solids, LAKOS ISF Screens provide a continuous, intelligent defense against clogging, lost suction and pump wear. A rugged, reliable internal backwash system blows debris off of and away from the screen, allowing water to flow freely to the pump (see illustration at right).

Wide range of applications

Rivers, effluent ponds, sumps, lakes, re-use pits, streams, tanks, canals, etc.

Protects pumps

For centrifugal, turbine and submersible types: Safeguards against damage to impellers and restricted suction/cavitation.

Energy savings

Helps maintain pump efficiency, reducing the need to pump longer to deliver required water volume. Continuously clean screen eliminates potential head/pressure loss.

Reduces maintenance

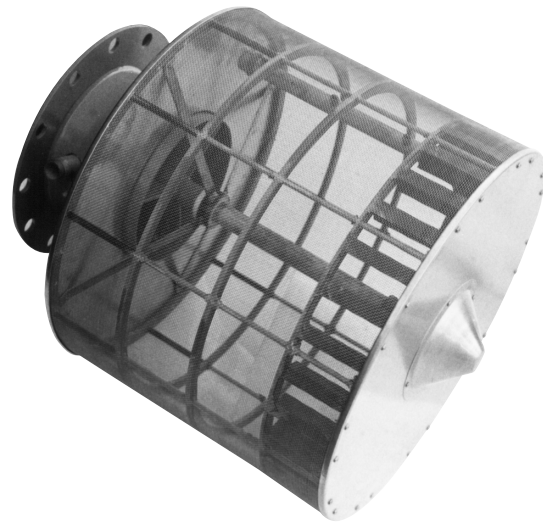
Continuous cleaning performance means no manual cleaning of stationary screens or routine system shutdowns.

Environmental protection

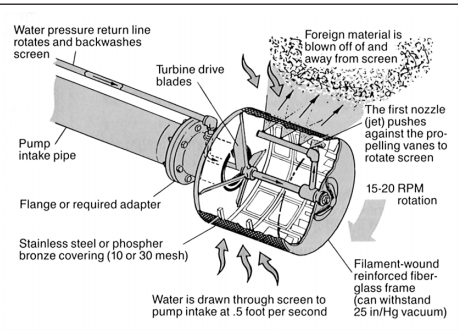
Low-velocity operation keeps fish, mussels, clams, etc. out of pump intakes.

Durable construction

Strong, deep-ribbed, reinforced fiberglass frame. Stainless steel end caps. Choice of corrosion-resistant stainless steel screen mesh or algae growth-inhibiting phospher bronze screen mesh. Turbine drive blades for strong, steady screen rotation.



Flow range:
Up to 2,700 U.S. gpm
(up to 615 m³/hr) per unit



Sample Installations

General Specifications

Dimensions

Warranty

ISF Series

Limited Warranty

All products manufactured and marketed by this corporation are warranted to be free of defects in material or workmanship for 12 months from date of installation; if installed 6 months or more after ship date, warranty shall be a maximum of 18 months from ship date.

If a fault develops, notify us, giving a complete description of the alleged malfunction. Include the model number(s), date of delivery and operating conditions of subject product(s). We will subsequently review this information and, at our option, supply you with either servicing data or shipping instruction and returned materials authorization. Upon prepaid receipt of subject product(s) at the instructed destination, we will then either repair or replace such product(s), at our option, and if determined to be a warranted defect, we will perform such necessary product repairs or replace such product(s) at our expense.

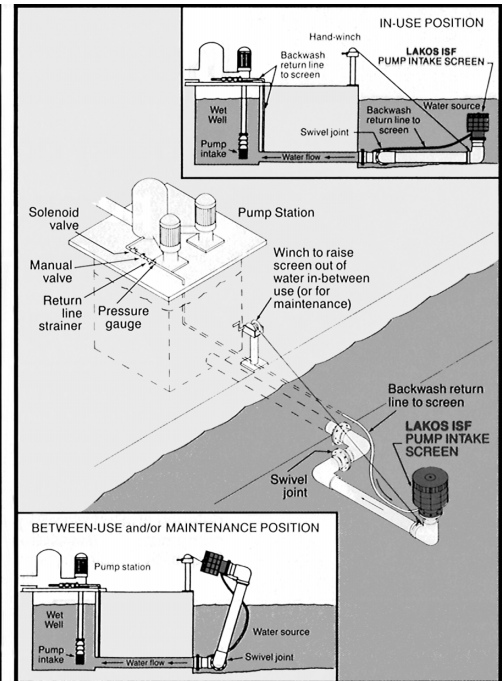
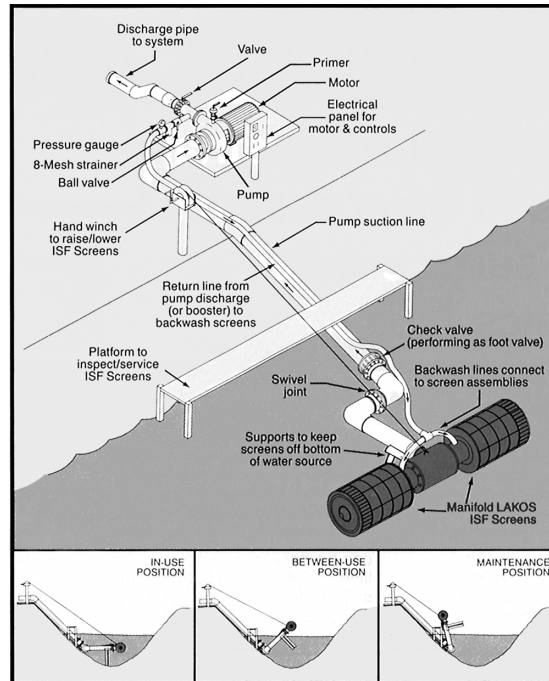
This limited warranty does not cover any products, damages or injuries resulting from misuse, neglect, normal expected wear, chemically-caused corrosion, improper installation or operation contrary to factory recommendation. Nor does it cover equipment that has been modified, tampered with or altered without authorization.

No other extended liabilities are stated or implied and this warranty in no event covers incidental or consequential damages, injuries or costs resulting from any such defective product(s).

Lakos Separators are manufactured and sold under one or more of the following U.S. Patents:

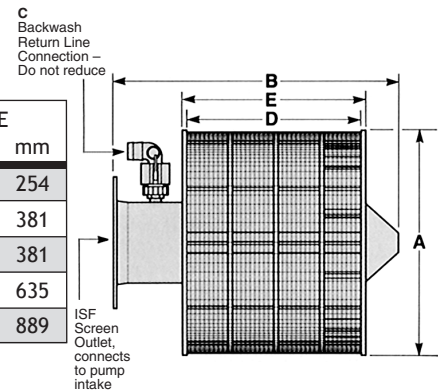
5,320,747; 5,338,341; 5,368,735; 5,425,876; 5,571,416; 5,578,203; 5,622,545; 5,653,874; 5,894,995; 6,090,276; 6,143,175; 6,167,960; 6,202,543; 7,000,782; 7,032,760 and corresponding foreign patents, other U.S. and foreign patents pending.

1365 North Clovis Avenue
Fresno, California 93727 USA
Telephone: (559) 255-1601
FAX: (559) 255-8093
www.lakos.com
info@lakos.com



Dimensions

Model	A		B		C	D		E	
	in.	mm	in.	mm		in.-NPT	in.	mm	in.
ISF 915	15	381	19	483	1-1/4	9	229	10	254
ISF 1415	15	381	24	610	1-1/4	14	356	15	381
ISF 1424	24-1/2	622	24-1/2	622	1-1/2	14	356	15	381
ISF 2424	24-1/2	622	34-1/2	876	1-1/2	24	610	25	635
ISF 3424	24-1/2	622	47	1194	2	34	865	35	889



General Specifications

Model*	Maximum Flow Rate				ISF Screen Outlet Pipe	Weight	**Required Backwash Pressure	Approximate Backwash Flow at Proper Pressure		
	10 Mesh		30 Mesh					U.S. gpm	m ³ /hr	U.S. gpm
	U.S. gpm	m ³ /hr	U.S. gpm	m ³ /hr	in	mm	psi	bar	U.S. gpm	m ³ /hr
ISF 915	350	80	250	60	6	152	55-80	3.8-5.5	10	2.5
ISF 1415	600	136	500	114	6	152	60-80	4.1-5.5	15	3.5
ISF 1424	1100	250	800	182	10	254	65-100	4.5-6.9	18	4.0
ISF 2424	1900	431	1300	305	12	305	75-100	5.1-6.9	36	8.0
ISF 3424	2700	613	1900	432	16	406	75-100	5.1-6.9	50	11.5

* Complete model number depends upon screen fabric (S = Stainless Steel or P = Phosphor Bronze) & mesh size (10 or 30).

** Required pressure range for the backwash return line at the ISF Screen connection.