

# Type 60-I & 70-I

## Internal Fabricated Construction

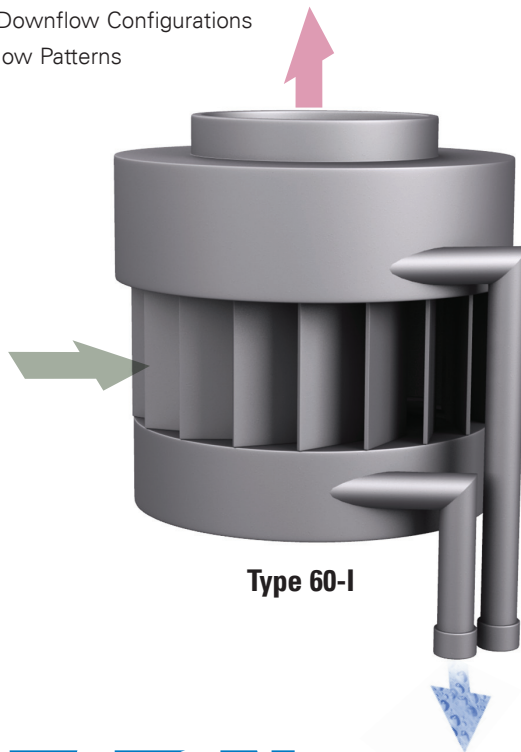
- Fabricated Carbon Steel or Stainless Steel
- Installs Inside Receivers, Drums, or Other Vessels

### FEATURES

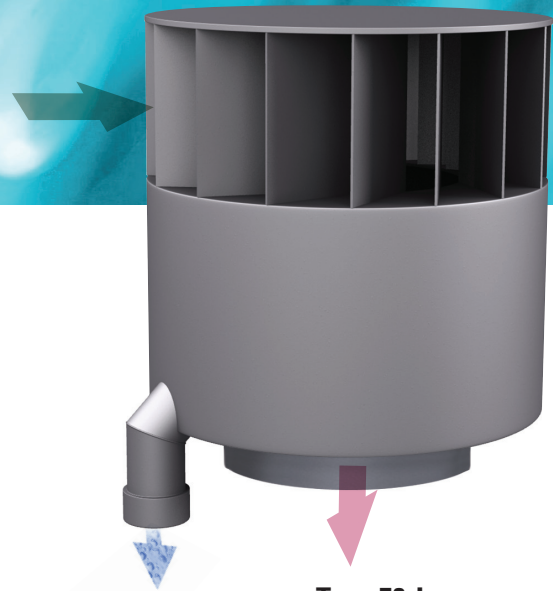
- Compact Design
- No Required Maintenance
- Removes 99% of Liquid and Solid Entrainment Particles Larger Than 10 Microns
- Gas, Steam, or Air Applications

### OPTIONS

- Upflow or Downflow Configurations
- Different Flow Patterns



Type 60-I



Type 70-I

Eaton Internal Gas/Liquid Separators are designed to be installed inside of receivers, steam drums, and other vessels where they will remove 99% of particles and liquid droplets of 10 microns or larger from air, gas, or steam.

These are centrifugal separators that cause the gas stream to enter a controlled centrifugal flow. This action forces the entrained liquids and solids to the outer wall of the internal separator where they fall to a bottom drain. The exit stream is drawn from the clean and dry center of the separator, which assures a clean, dry gas stream at the outlet.

The Type 60-I has an upflow configuration, while the 70-I has a downflow configuration. Both are fabricated from carbon steel and have 304/304L stainless steel blades.

### Sizing

See air and steam charts on the Technical Pages. Use 65% of the equivalent air or steam flow when sizing internal separators.

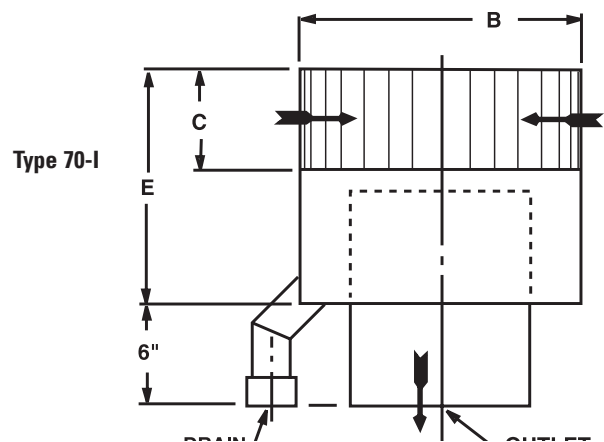
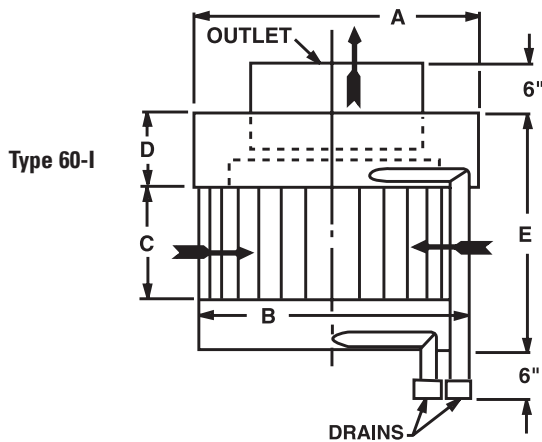
### Installation Considerations

To operate effectively, the internal separator must be located a minimum of 12" above the surface of the liquid, plus the pressure drop across the element in inches of water.



Powering Business Worldwide

# Type 60-I & Type 70-I Internal Gas/Liquid Separators



Dimensions: Type 60-I & 70-I (in/mm)

Pipe Size	A	B	C	D	E	Drains NPT 60-I	Weight (lb/kg) 60-I	Drain NPT 70-I	Weight (lb/kg) 70-I
3	7 / 178	5.12 / 130	3 / 76	2.5 / 63	7 / 178	3/4	16 / 7.3	1-1/4	15 / 6.8
4	8 / 203	7 / 178	2.25 / 57	3 / 76	7 / 178	3/4	20 / 9.1	1-1/4	18 / 8.2
5	9.5 / 241	8.5 / 216	3.25 / 83	3 / 76	8.5 / 216	3/4	30 / 14	1-1/2	27 / 12
6	11.5 / 292	10.5 / 267	4 / 102	3.5 / 89	10 / 254	1	40 / 18	1-1/2	35 / 16
8	15 / 381	14 / 356	5 / 127	3.5 / 89	11.25 / 286	1-1/2	60 / 28	2	55 / 25
10	18 / 457	17 / 432	6 / 152	4.75 / 121	14 / 356	1-1/2	85 / 39	2	80 / 36
12	21 / 533	20 / 508	6.5 / 165	4.75 / 121	15 / 381	1-1/2	115 / 52	2-1/2	110 / 50
14	23.5 / 597	22.5 / 571	9 / 229	5 / 127	18 / 457	1-1/2	145 / 66	2-1/2	135 / 61
16	26.5 / 673	25.5 / 648	11 / 279	5 / 127	20 / 508	2	185 / 94	3	145 / 66
18	29 / 737	27.75 / 705	12 / 305	5 / 127	21 / 533	2	210 / 95	3	160 / 73
20	31 / 787	30 / 762	15.5 / 394	6 / 152	25 / 635	2-1/2	270 / 122	3	210 / 95
22	33.5 / 851	32.5 / 825	17 / 432	7 / 178	27.5 / 698	2-1/2	310 / 141	3	240 / 109
24	36 / 914	35 / 889	17.5 / 444	8 / 203	30 / 762	2-1/2	350 / 159	3	275 / 125
26	39 / 991	38 / 965	18 / 457	9 / 229	32.5 / 825	2-1/2	455 / 206	3	340 / 155
28	42 / 1067	40 / 1016	18.5 / 470	9.5 / 241	35 / 889	2-1/2	575 / 261	4	385 / 175

## North America – HQ

70 Wood Avenue, South  
2nd Floor  
Iselin, NJ 08830

Toll Free: (800) 656-3344  
(North America only)

Voice: (732) 767-4200

## Brazil

Voice: +55 (11) 2465-8822

## China

Voice: +86-21-5200-0099

## Europe/Africa/Middle East

Voice: +49-2486-809-0

## Singapore

Voice: +65-6825-1668

©2012 Eaton Corporation. All Rights Reserved. All trademarks and registered trademarks are the property of their respective owners. Litho USA. All information and recommendations appearing in this brochure concerning the use of products described herein are based on tests believed to be reliable. However, it is the user's responsibility to determine the suitability for his own use of such products. Since the actual use by others is beyond our control, no guarantee, expressed or implied, is made by Eaton as to the effects of such use or the results to be obtained. Eaton assumes no liability arising out of the use by others of such products. Nor is the information herein to be construed as absolutely complete, since additional information may be necessary or desirable when particular or exceptional conditions or circumstances exist or because of applicable laws or government regulations.

For more information, e-mail us at [filtration@eaton.com](mailto:filtration@eaton.com), or call 732-767-4200.

Visit us online at [eaton.com/filtration](http://eaton.com/filtration) for a complete list of Eaton's filtration products.



Powering Business Worldwide



EF-G/L-6  
6-2012