

DCF-3000

The dual cleaning disc and twin actuator design of the DCF-3000 mechanically cleaned filter can be fabricated in a variety of materials and options with temperatures up to 400°F. It is ideal for highly viscous, abrasive or sticky liquids with flow rates of up to 500 GPM. For water-like liquids, it can handle flow rates up to 1500 GPM.

FEATURES

- Elimination or reduction in disposable filter bags and cartridges minimizes operator handling, inventory costs and waste disposal
- Reduction in product loss, more thorough contaminant purge in a highly concentrated waste stream
- Reduction or elimination of operator intervention for safer operation
- Compact design, lower capital cost to fit most installations
- Stainless steel screens from 15 micron slots to 1/4" perforations to handle a wide range of filtration needs
- Available with Delrin® or PEEK cleaning discs
- Optional PLC controls
- ASME U stamp available

TYPICAL APPLICATIONS

- paper coatings • pcc/gcc slurries • phenolic resins • detergents
- petroleum based greases • ethanol processing • hot fry oils
- cip fluids (sodium hydroxide) • starch • lime slurries • adhesives
- curtain coaters • nutraceuticals • machining coolants • paint
- ink • chocolate • edible oils • tallow

When processing high viscosity liquids for demanding applications, the DCF-3000 filter's twin actuator, dual disc models deliver tremendous benefits. It is available in a wide range of flow rates up to 1500 GPM (341 m³/hr) with retentions of 15 to 1,100 microns.

Utilizing the proven features of the DCF-1600 twin mechanically cleaned filter, yet designed with 2.5 times the capacity, Eaton's DCF-3000 filter is compatible with a wide range of fluid process conditions. A maximum operating pressure of 150 PSI along with a maximum temperature of up to 400°F allows for multiple seals and cleaning disk materials options.



DCF-3000 - Two actuators isolate the actuation mechanism from the filtrate with a bridged system. The benefit is a long operating life for high pressure, high temperature conditions.



Dual circular cleaning disc design ensures intimate contact with the screen to thoroughly and uniformly clean the media.



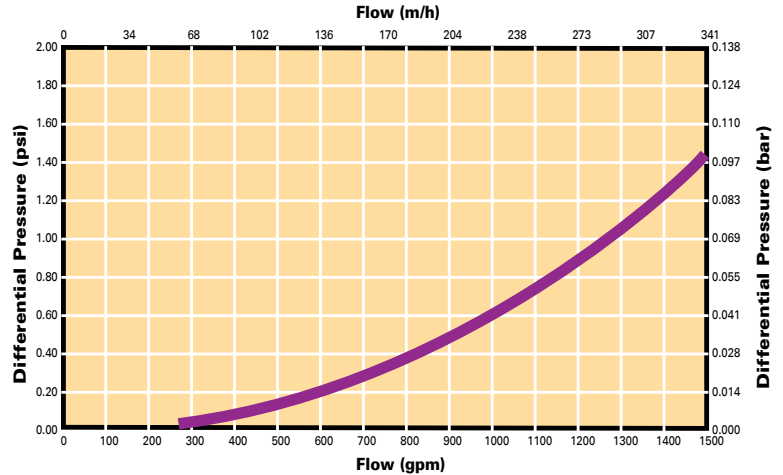
Powering Business Worldwide

DCF-3000 Disc Cleaning Filter

DCF-3000 Specifications

Approx Weight	350 lbs (159 kg)
Service Height	136 in (3454 mm)
Flow Rates at 100µ	Up to 1100 GPM / 250 m ³ /hr
Operating Pressure	30 - 150 psi (2-10.5 bar)
Operating Temperature, max.	400° F (222° C)
Viscosity	Water-like to 500,000+
Standard Retention	15 - 1,100 microns
Vessel Material	316 Stainless Steel
Elastomers	EPT/EPDM (Nordel™), Viton®, White Nitrile (food grade)
Cleaning discs:	Delrin®, PEEK
Packing:	Urethane, Teflon®, Viton® and Glyon®/Viton®
Process Connections	4-8 in 150# ANSI Flanged
Purge Connection	2 in NPT / 2 in BSPT
Air for Actuator Drive (Clean, dry, non lubricated air)	80 psi (5.5 bar) min - 116 psi (8 bar) max 5.0 cfm (141.5 L/min)
Electrical for Controllers	115 VAC or 230 VAC 50/60Hz
Semi-Auto Voltage	24 VDC, 115 VAC, 230 VAC
Flooded Weight	720lbs [325 kg]

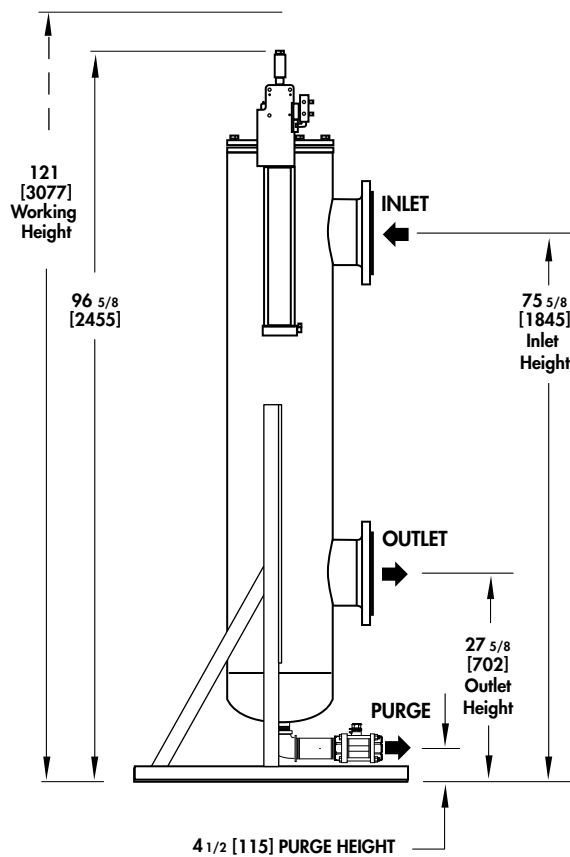
DCF-3000 Flow Rates



Slotted Wedge Wire Strainer Element Options

Inch	Micron	Mesh	% Open Area
.002	50	325	6
.003	75	200	9
.004	100	150	12
.006	150	100	17
.007	180	80	19
.008	200	70	21
.009	230	60	23
.015	380	40	33
.024	600	30	44
.030	700	20	50
.045	1140	15	60

Additional retentions available, consult Eaton.



North America
44 Apple Street
Tinton Falls, NJ 07724
Toll Free: 800 656-3344
(North America only)
Tel: +1 732 212-4700

Europe/Africa/Middle East
Auf der Heide 2
53947 Nettersheim, Germany
Tel: +49 2486 809-0
Friedensstraße 41
68804 Altlußheim, Germany
Tel: +49 6205 2094-0

An den Nahewiesen 24
55450 Langenlonsheim, Germany
Tel: +49 6704 204-0

China
No. 3, Lane 280,
Linhong Road
Changning District, 200335
Shanghai, P.R. China
Tel: +86 21 5200-0099

Singapore
4 Loyang Lane #04-01/02
Singapore 508914
Tel: +65 6825-1668

Brazil
Av. Julia Gaioli, 474 – Bonsucesso
07251-500 – Guarulhos, Brazil
Tel: +55 11 2465-8822

For more information, please
email us at filtration@eaton.com
or visit www.eaton.com/filtration

DCF-3000
10/15

© 2015 Eaton. All rights reserved. All trademarks and registered trademarks are the property of their respective owners. All information and recommendations appearing in this brochure concerning the use of products described herein are based on tests believed to be reliable. However, it is the user's responsibility to determine the suitability for his own use of such products. Since the actual use by others is beyond our control, no guarantee, expressed or implied, is made by Eaton as to the effects of such use or the results to be obtained. Eaton assumes no liability arising out of the use by others of such products. Nor is the information herein to be construed as absolutely complete, since additional information may be necessary or desirable when particular or exceptional conditions or circumstances exist or because of applicable laws or government regulations.



Powering Business Worldwide