

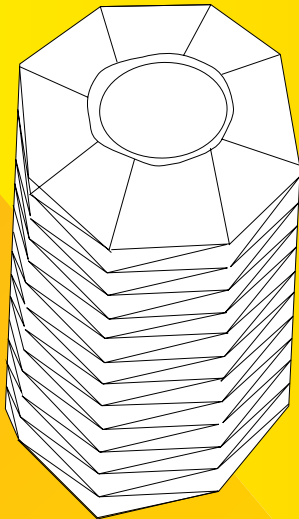


Science.
Applied to Life.™



Separation and Purification Sciences Division

Compound radial pleats. Applied to minimizing your footprint.



The 3M™ High Flow Filter System is a result of 3M's extensive filtration experience applied to delivering high flow filter technology in a compact design. For those customers who want filtration efficiency and a small footprint, 3M High Flow filter system may be the right filtration solution.

High performance media in an innovative design.



Figure 1: 3M™ High Flow single round filter system



Figure 2: 3M™ High Flow Sanitary Design single round filter system

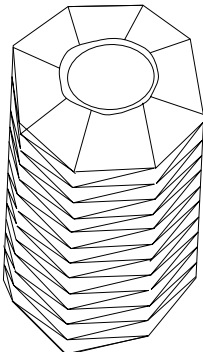


Figure 3: 3M compound radial pleat design

High flow capability

The 3M™ High Flow filter system is designed to accommodate flow rates of up to 500 gallons per minute (gpm) in a single 60" length filter cartridge. The result? Fewer filter elements to maintain your process flow requirements. In fact, 3M High Flow filter systems require as few as one-tenth the number of elements as conventional 2.5" outer diameter (OD) filter cartridges (see Figure 5).

3M High efficiency filter media in a compound radial Pleat structure

3M innovation is at the heart of the 3M High Flow filter. A compound radial pleat design (see Figure 2) helps maximize the usable surface area of each filter. Blown microfiber forms the basis of the filter media, which is manufactured to tightly-controlled fiber diameter specifications, producing a media with absolute-rated particle retention characteristics. The 3M manufacturing process embosses the media to produce a more

uniform pleat pattern, which, in turn, allows greater utilization of the media by evenly distributing the process fluid throughout the entire filter structure. This results in consistent particle retention in a compact, space-saving design. 3M High Flow cartridge's polypropylene end caps, outer sleeve, and core protect the pleat structure integrity and provide a robust filter construction.

Compact system design

Fewer required filter cartridges combined with an outside-to-inside flow path reduces the size of housing required for your application. The 3M High Flow filter housing takes up as little as one-half the size of conventional 2.5" OD filter cartridge housings for a given flow rate. The result is lower capital investment costs and a compact footprint that saves valuable plant space (see Figure 5).

Ease of use with twist-to-lock

The 3M™ High Flow filter system is designed with ease-of-use in mind. From a user-friendly, ergonomically designed handle that makes cartridge installation and removal easier without the use of special tools or other hardware, to a “twist-to-lock” cartridge seating mechanism that provides a positive seal, the 3M High Flow filter system facilitates easy operation and maintenance of your filter system.

3M™ High Flow HFM series filters for organic and/or biological contaminants

The High Flow HFM series filters utilize a 3M microfiber media specifically designed for use in process fluid applications containing organic and/or biological contaminants. The media design helps prevent premature blinding of the filter outer surface, promoting fuller utilization of the media, resulting in an optimum combination of particle removal efficiency and contaminant holding capability.

Industries	Applications
Municipal Water General Industrial Oil & Gas Chemicals & Petrochemicals Food & Beverage Electronics	<ul style="list-style-type: none"> • Pre-RO Water • Process Waters • Wastewater & Reclaimed Waters • Injection & Produced Waters • DE Trap • Clarification • Amine Sweetening • Catalyst Protection/Recovery • Machine Coolants
Features	Benefits
High Flow Capability per Cartridge (vs. conventional 2.5” diameter cartridges)	Fewer cartridges required, resulting in: <ul style="list-style-type: none"> • Reduced cartridge handling & disposal • Reduced filter change-out time • Less individual cartridge seal points, reducing chance of fluid bypass
Compound Radial Pleat Design using 3M Blown Microfiber Polypropylene Media	<ul style="list-style-type: none"> • High filter loading capacity • Reproducible filter effluent quality throughout life of filter • Broad chemical compatibility
Compact System Design	<ul style="list-style-type: none"> • Smaller housing minimizes capital expense requirements • Reduces system footprint
Easy to Use	<ul style="list-style-type: none"> • No special tools or hardware required for filter change-out • “Twist-to-lock” cartridge seating mechanism provides positive seal • Ergonomic designed handle facilitates cartridge installation and removal
FDA CFR-21 Listed Material	<ul style="list-style-type: none"> • Compatible in applications requiring direct food contact in food and beverage processing
WQA NSF/ANSI Std 61	<ul style="list-style-type: none"> • Certified by WQA to NSF/ANSI Std 61 for material safety.

Figure 4: 3M™ High Flow filter cartridge design features

Ease of use

An ergonomically designed handle facilitates fast and easy insertion and removal without the use of special tools. Cartridges are simply inserted over a built-in guide tube.



Polypropylene construction

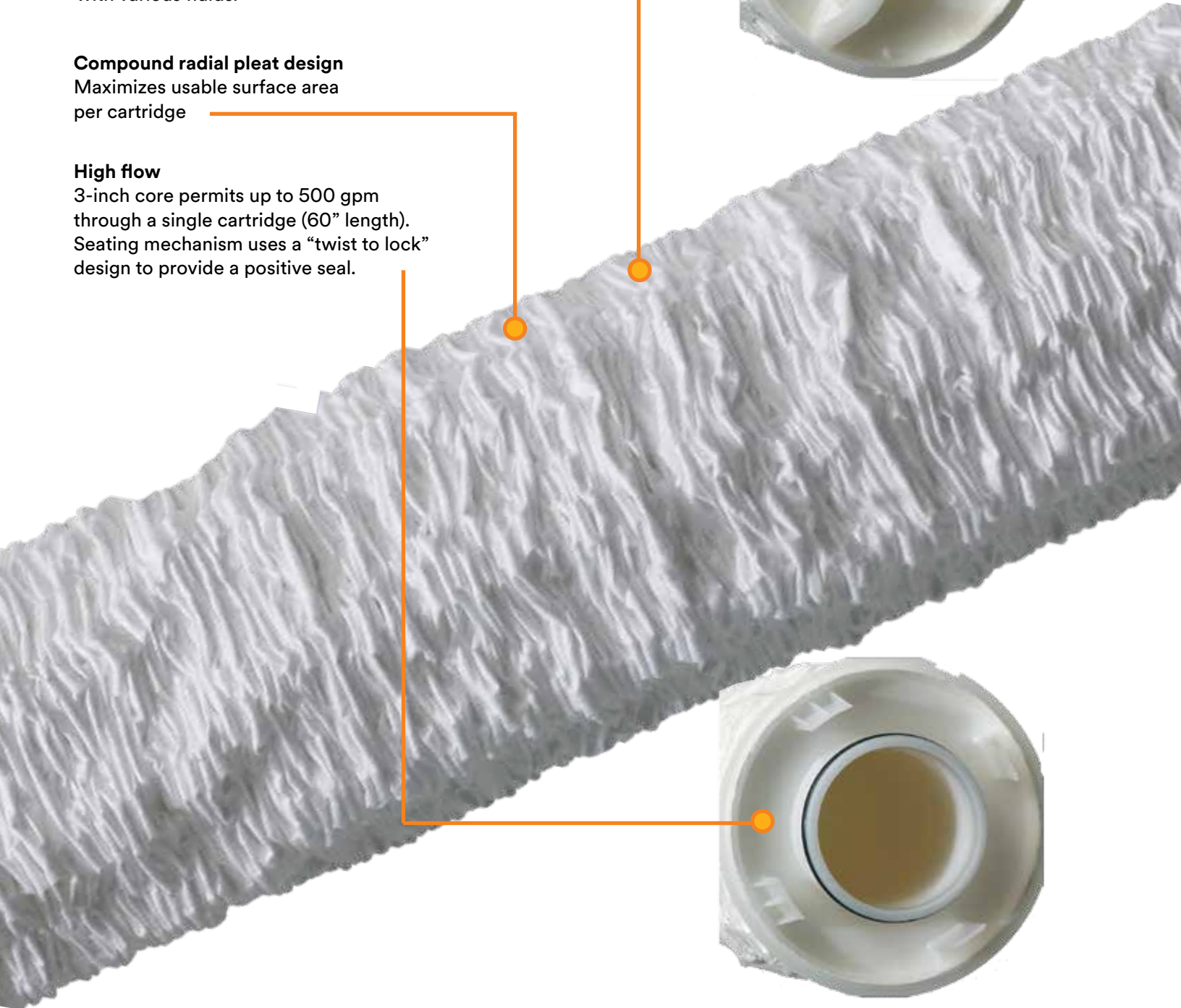
Provides wide range of compatibility with various fluids.

Compound radial pleat design

Maximizes usable surface area per cartridge

High flow

3-inch core permits up to 500 gpm through a single cartridge (60" length). Seating mechanism uses a "twist to lock" design to provide a positive seal.



3M™ High Flow system vs. conventional 2.5" filter systems comparison basis:

- 40" length cartridges
- Fluid viscosity: 1 cps

Flow rates per cartridge:

- 3M™ High Flow cartridge: 350 gpm
- 2.5" outer diameter (OD) conventional pleated cartridge: 20 gpm
- 2.5" outer diameter (OD) conventional depth cartridge: 15 gpm

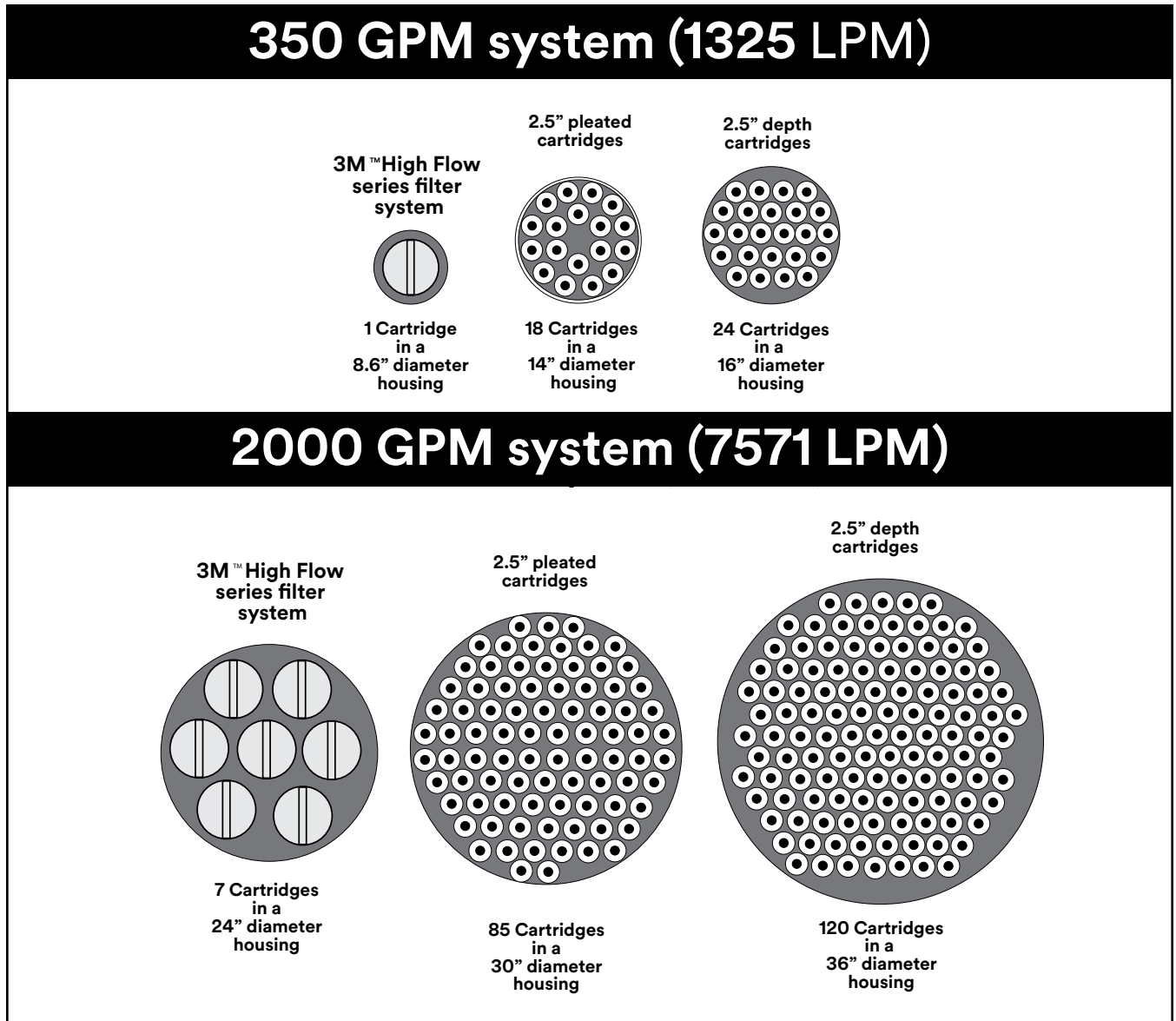


Figure 5 – Comparison of required filter cartridges & housing footprint

The Bottom line:

- The 3M High Flow system requires 90% fewer cartridges as conventional 2.5" OD cartridge systems for a given flow rate
- 3M High Flow series filter housings are 33% to 50% smaller than filter housings for conventional 2.5" OD cartridges for a given flow rate
- Fewer filters and a user-friendly housing design mean easier and faster filter change-outs

3M™ High Flow Series Filter Specifications

Construction	
Absolute Rating (microns)	HF Series: 1, 2, 5, 10, 15, 25, 40, 70 HFM Series: 5, 10, 20, 70* *5 micron nominal
Filter Media, Center Core, End Caps, Outer Sleeve	Polypropylene
Sealing O-ring options	Nitrile, ethylene propylene rubber (EPR), silicone, fluorocarbon
O-Ring Size/End Cap Connection	338 (Special Thread Design) 3.0" (76.2 mm)
Cartridge Dimensions	
Inside Diameter (nominal)	3.0" (76.2 mm)
Outside Diameter (nominal)	6.5" (165 mm)
Length (nominal)	10" (254 mm) 40" (1016 mm) 60" (1524 mm)
Operating Conditions	
Maximum Recommended Flow Rate in Water (@70° F)	85 gpm (19.3 m3/hr) – 10" Length 350 gpm (79.5 m3/hr) – 40" Length 500 gpm (113.6 m3/hr) – 60" Length
Maximum Continuous Operating Temperature	160 °F (71 °C)
Maximum Hot Water Sanitization Temperature	194 °F (90 °C)
Maximum Forward Differential Pressure	50 psid @ 68°F (3.4 bar @ 20 °C)
Recommended Change-out Differential Pressure	35 psid @ 68°F (2.4 bar @ 20 °C)
Clean Pressure Drop	See Page 8 and 9
Regulatory	
FDA CFR-21 Listed Materials of Construction	
Certified by WQA to NSF/ANSI Std 61	



3M™ High Flow system filter housings

3M™ High Flow system filter housings are specifically designed to deliver all of the system's benefits in a compact footprint in your production site. Housings are available in ASME code or Non-Code standard designs, as well as customizable configurations to suit your specific needs. The surface finishes available for the housings are glass bead blasted, painted or polished.

3M High Flow series filter housings are available in a variety of standard sizes to accommodate from 1 to 19 3M High Flow filter cartridges in 10-inch, 40-inch and 60-inch lengths. Other High Flow housing sizes and configurations are also available upon request.

The outside-to-inside flow pattern of the 3M High Flow system translates into a simpler filter housing design and operation. Alternative inside-to-outside flow designs require the use of a bulky support plate for cartridge sealing. This support plate must be removed during cartridge installation and change-out, and may require the use of special tools. The 3M High Flow housing features a centerpost design for cartridge support, requiring no support plates or special tools, providing a user-friendly cartridge installation and removal process.

3M High Flow series filter housings come with a choice

of standard inlet and outlet connection size options. The "MAX" option uses inlet and outlet connections sized for the maximum design flow through the High Flow cartridges (350 gpm for 40-inch, 500 gpm for 60-inch). For applications where operation at less than 50% of the maximum design flow is preferred (e.g. those having a higher inlet solids level, or where optimizing filter life is a priority), the "STD" option, which uses smaller inlet & outlet connections, may be chosen.

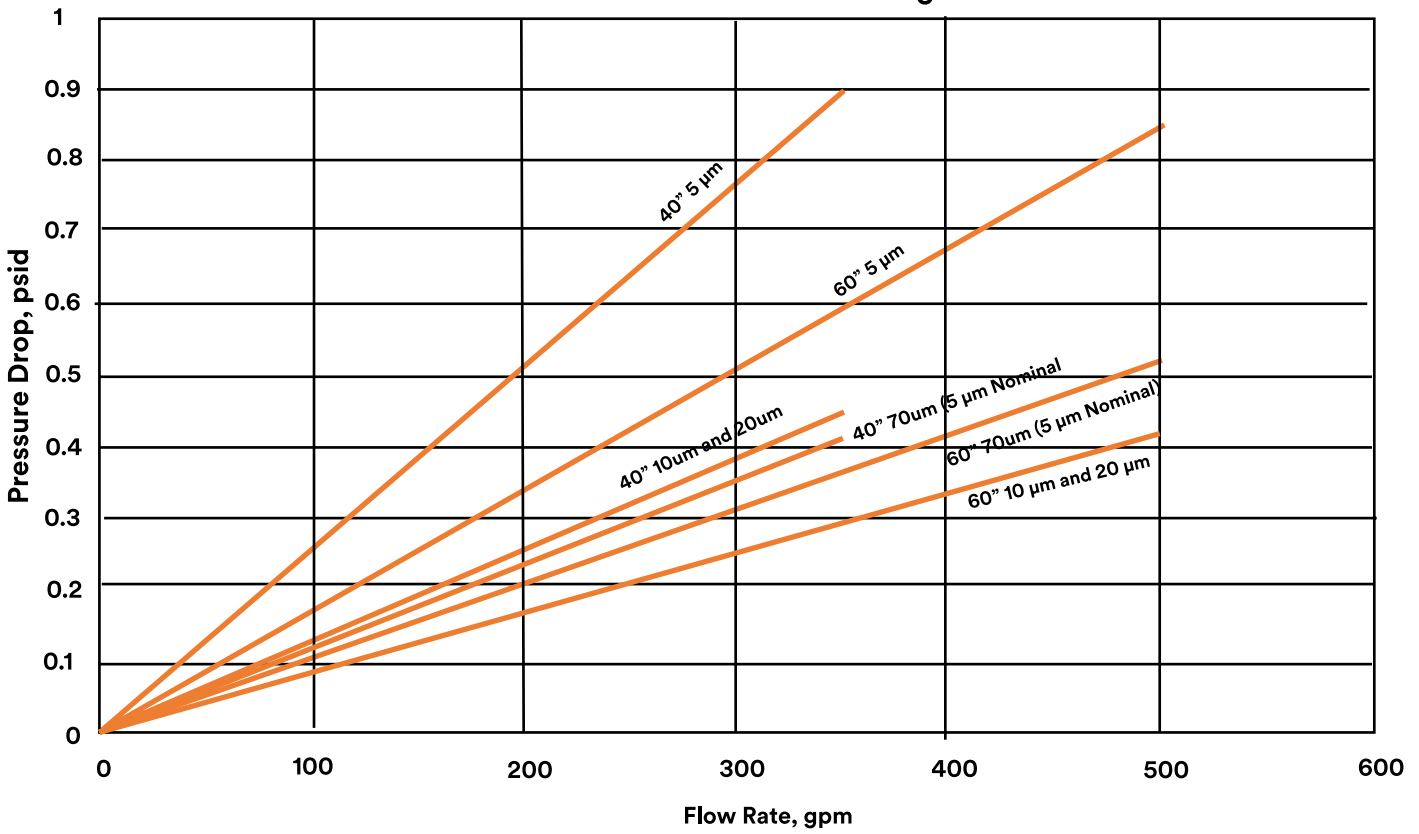


Figure 6: 3M™ High Flow Sanitary Design Housings

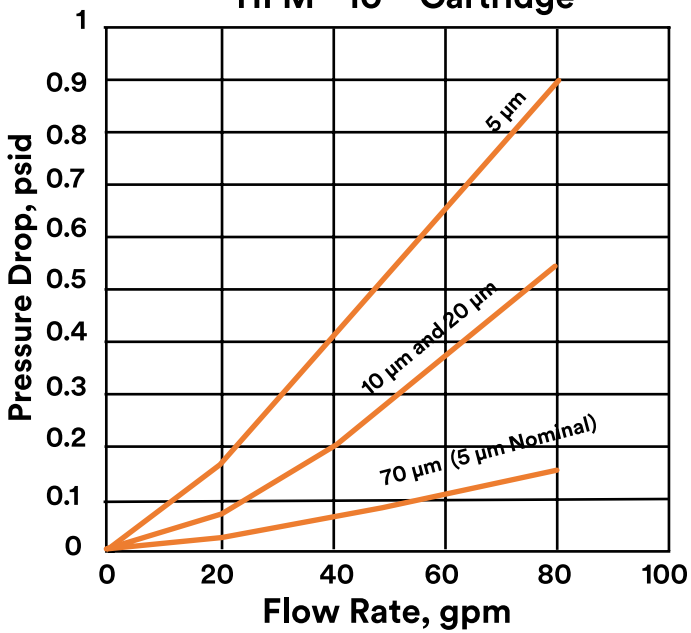


Figure 7: 3M™ High Flow Housings

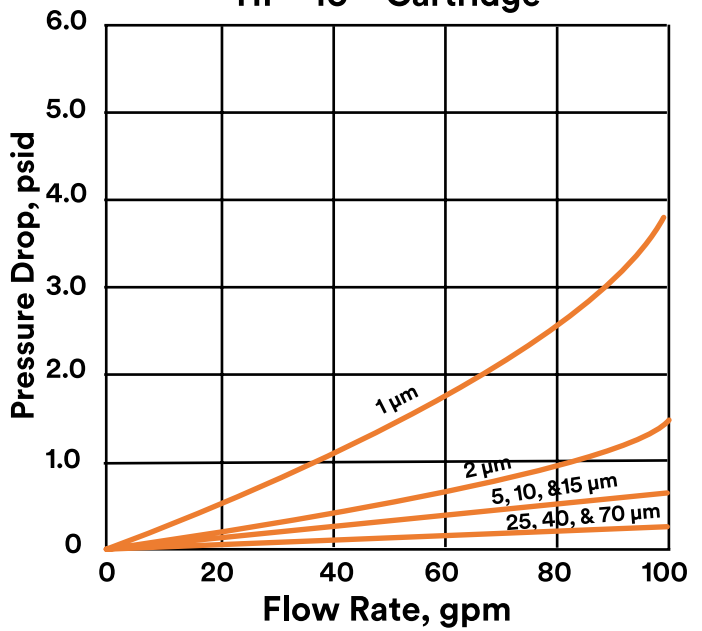
HFM - 40" and 60" - Cartridge



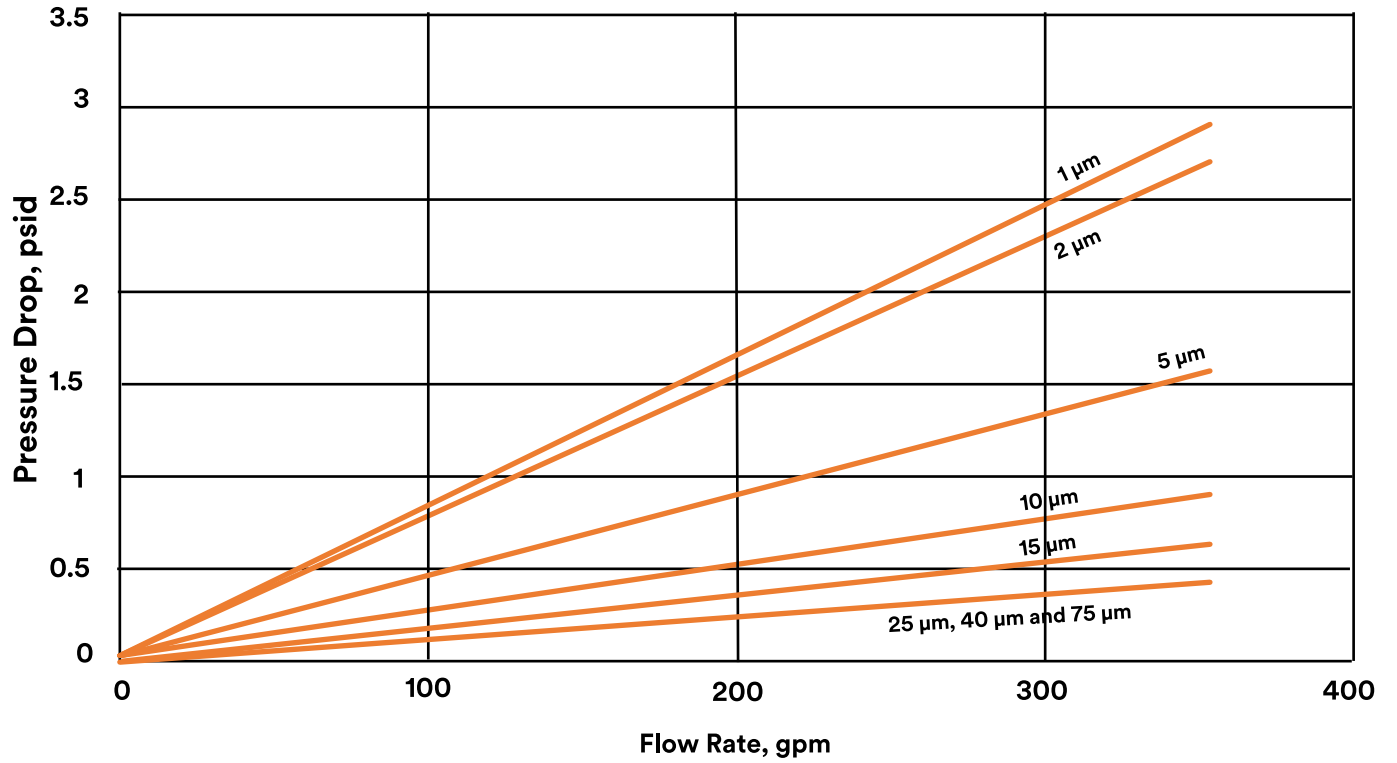
HFM - 10"- Cartridge



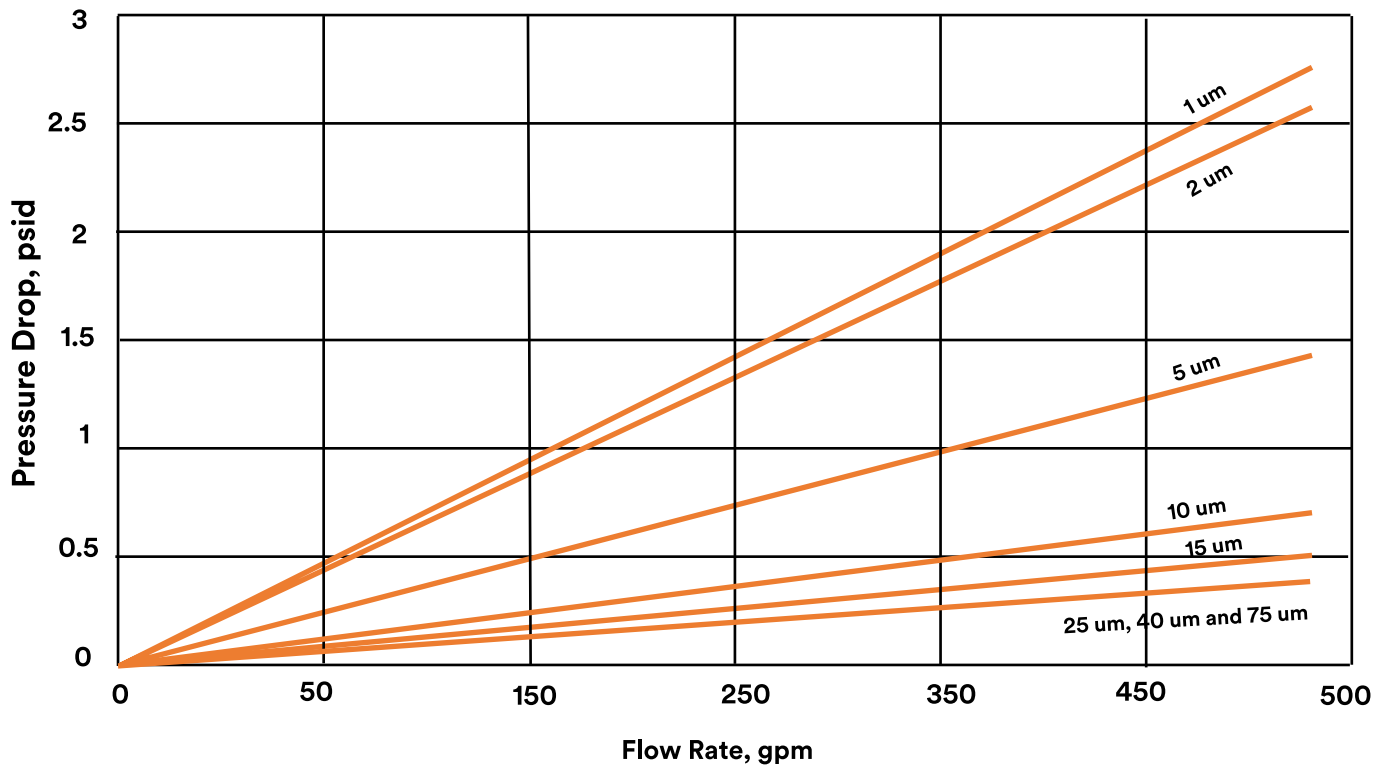
HF - 10"- Cartridge



HF 40" Clean Pressure Drop



HF 60" Clean Pressure Drop



3M™ High Flow System Filter Housings	
Features	Benefits
<p>High Flow Capability per Cartridge (vs. conventional 2.5” diameter cartridges)</p>	<p>Allows for use of smaller diameter housing reducing capital expense and system footprint requirements. Fewer cartridges required, resulting in:</p> <ul style="list-style-type: none"> • Reduced cartridge handling & disposal • Reduced filter change-out time • Less individual cartridge seal points reducing chance of fluid bypass
<p>Robust Cartridge Centerpost Support Design</p>	<ul style="list-style-type: none"> • Eliminates need for bulky support plates and tools. • Facilitates cartridge installation & removal.
<p>Unique Diamond Pleated Cartridge Sealing Mechanism (“Twist to Lock” into Plug Base Closure)</p>	<ul style="list-style-type: none"> • Allows for verification of proper cartridge seating, reducing chance of fluid bypass

Industry-specific high flow housing designs

Oil & gas service:

Specially designed 3M High Flow series housings are available upon request in designs to accommodate requirements typically found in oil & gas applications, including:

- Corrosion allowances
- Higher pressure ratings
- Swing bolt closure design
- Non-destructive examination
- NACE (National Association of Corrosion Engineers) Compliance
- Post weld heat treatment

Food & beverage service:

Specially designed 3M High Flow Sanitary Design Housings are designed to deliver all of the system's benefits in a compact footprint:

- 316L Stainless steel construction generally regarded as safe
- Internal/external polished surfaces
- Sanitary flange connections (for inlet, outlet, bleed & drain ports)

10-inch housing:

ASME code and Non-Code housing designs are available to accommodate the 10-inch High Flow cartridge. This allows the user to take advantage of the benefits of the High Flow cartridge design (high efficiency filter media, “twist to lock” positive seating mechanism). These versions, capable of maximum flow rates of 85 gpm per cartridge, are great choices for lower process flow applications (such as point-of-use).

3M™ High Flow Series Filter Housing specifications

Housing Family	10" ASME Code	10" Non-Code	40" ASME Code	60" ASME Code	10" Sanitary	40" Sanitary Design	60" Sanitary
Standard Designs (# of Cartridges)	1	1	1, 3, 5, 7, 12, 19		1	1	1
Design Specification	ASME Code	Non-Code	ASME Code		Non-Code		
Design Pressure	150 psi @ 250 F				150 psi @ 195 F	150 psi @ 250 F	
Material of Construction	304 SS	316L SS	Carbon Steel * 304 SS * 316L SS		316L SS		
O-Ring/Gasket	Buna N				EPDM		
Orientation	Vertical	Vertical	Horizontal**	Horizontal	Vertical	Horizontal	Horizontal
Cover	Swing Bolt – Hinged	Clamp	Swing Bolt – Hinged or Davit Arm		Clamp	Swing Bolt – Hinged	Swing Bolt – Hinged
Exterior Finish	Bead Blast	Polished	Carbon Steel – Enamel Stainless Steel – Bead Blast		Polished		

* Not available in 1-Around.

** 1-Around 40" available with Vercicle stand, some multi-around verticals are available - consult factory.

3M™ High Flow Series Industrial Filter Housing specifications (for 40" L High Flow cartridges)

Housing Model	# of Cartridges	Housing OD (in/cm)	Materials of Construction	STD MODEL		MAX MODEL		Housing Dimensions (Inches/Centimeters See figure 8)
				Inlet & Outlet Connection Sizes (in./cm) (ANSI Flanges)	Maximum Flow (gpm/lpm)	Inlet & Outlet Connection Sizes (in./cm) (ANSI Flanges)	Maximum Flow (gpm/lpm)	
1HF40	1	8.625/22	316L Stainless Steel	-	-	4	350/1325	(A) 64 ^{1/2} /163.8 (B) 16/40.6 (C) 40 ^{7/8} /103.8
3HF40	3	16/41	Carbon steel 304 Stainless Steel 316L Stainless Steel	4	438/1658	6	875/3312	(A) 74 ^{1/4} /188.5 (B) 24 ^{1/2} /62.2 (C) 51 ^{3/4} /131.4
5HF40	5	20/51		6	775/2934	8	1550/5867	(A) 82 ^{3/4} /208 (B) 28 ^{1/2} /72.4 (C) 55 ^{1/8} /140
7HF40	7	24/61		8	1225/4637	10	2450/9274	(A) 87 ^{7/8} /223.2 (B) 32/81.3 (C) 64 ^{7/8} /164.8
12HF40	12	30/76		10	2100/7949	14	4200/15898	(A) 96 ^{7/8} /246 (B) 36/91.4 (C) 72/182.8
19HF40	19	36/91		12	3325/12586	18	6650/25173	(A) 105 ^{5/8} /268.3 (B) 36/91.4 (C) 76 ^{1/8} /193.3

3M™ High Flow Series Industrial Filter Housing specifications (for 60" L High Flow cartridges)

Housing Model	# of Cartridges	Housing OD (in./cm)	Materials of Construction	STD Model		MAX Model		Housing Dimensions (See figure 8)
				Inlet & Outlet Connection Sizes (in./cm) (ANSI Flanges)	Maximum Flow (gpm/lpm)	Inlet & Outlet Connection Sizes (in./cm) (ANSI Flanges)	Maximum Flow (gpm/lpm)	
1HF60	1	8.625/22	316L Stainless Steel	–	–	4	500/1893	(A) 84 ^{1/2} /214.6 (B) 16/40.6 (C) 41 ^{7/8} /106.3
3HF60	3	16/41	Carbon Steel 304 Stainless Steel 316L Stainless steel	4	750/2839	8	1500/5678	(A) 98 ^{1/4} /249.5 (B) 24 ^{1/2} /62.2 (C) 51 ^{7/8} /141.9
5HF60	5	20/51		6	1225/4637	10	2450/9274	(A) 104 ^{3/4} /266 (B) 28 ^{1/2} /72.4 (C) 55 ^{5/8} /141.3
7HF60	7	24/61		8	1750/6624	12	3500/13249	(A) 109 ^{5/8} /278.4 (B) 32/81.3 (C) 64 ^{7/8} /164.7
12HF60	12	30/76		10	3000/11356	16	6000/22712	(A) 118 ^{7/8} /301.9 (B) 36/91.4 (C) 72 ^{1/2} /184.1
19HF60	19	36/91		12	4750/17981	20	9500/35961	(A) 127 ^{5/8} /324.1 (B) 36/91.4 (C) 76 ^{5/8} /194.6

3M™ High Flow Series Industrial Filter Housing specifications

Housing Part Number	Housing OD	Material of Construction	Inlet / Outlet	Maximum Flow	Height	Footprint	Drain	Vent	Gauge
1HF10VBGD	8 5/8"	304 SS	2" RFSO Flange	85 GPM	41"*	13" In-Line Face-to-Face	1/2" npt	1/4" npt	1/2" npt
1HFN10VCGD	8"	316L SS	2" npt	85 GPM	23"	12" Face-to-Face	3/4" npt	1/4" npt	None
1HFX40VC	8 5/8"	316L SS	4" RFSO Flange	350 GPM	80"*	Stand 23" diameter	1" npt	1/4" npt	1/4" npt

*Adjustable

3M™ High Flow Series Sanitary Design Filter Housing specifications

Housing Part Number	Housing OD	Material of Construction	Inlet / Outlet	Maximum Flow	Height	Footprint	Drain	Vent	Gauge
1HF10VCS	8"	316L SS	2" Sanitary	85 GPM	35"	8" Diameter	1/2" Sanitary	1/2" Sanitary	1 1/2" Sanitary
1HFX40HCS	10 3/4"	316L SS	3" Sanitary	250 GPM	50"	55" L X 18" W	1" Sanitary	1/2" Sanitary	1 1/2" Sanitary
1HFX60HCS	10 3/4"	316L SS	3" Sanitary	250 GPM	50"	75" L X 18" W	1" Sanitary	1/2" Sanitary	1 1/2" Sanitary

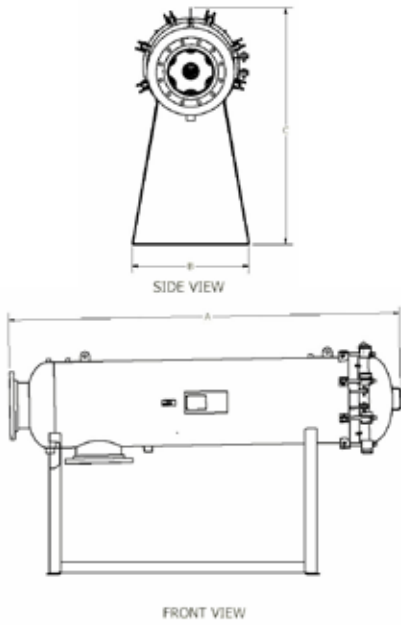


Figure 8: 3M™ High Flow 40" L & 60" L Housings – Horizontal configurations

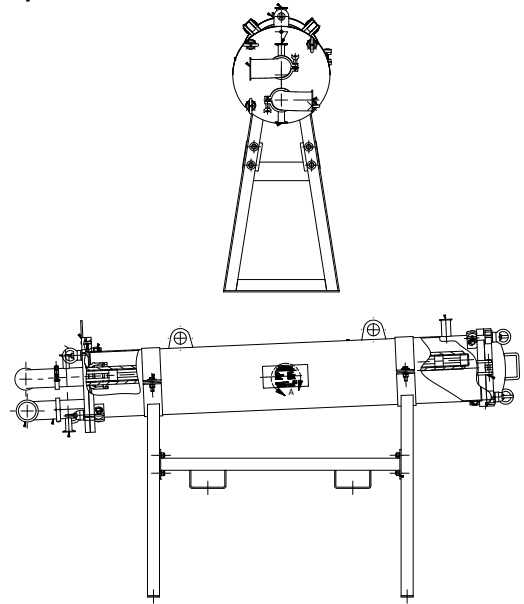
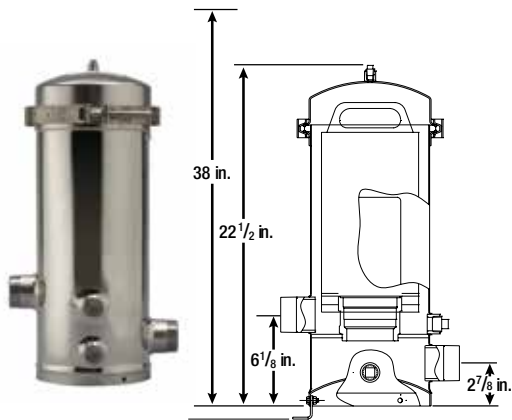


Figure 9: 3M™ High Flow 40" L & 60" L Sanitary Design Housings – Horizontal configurations



10" HFN Housing Non-Code

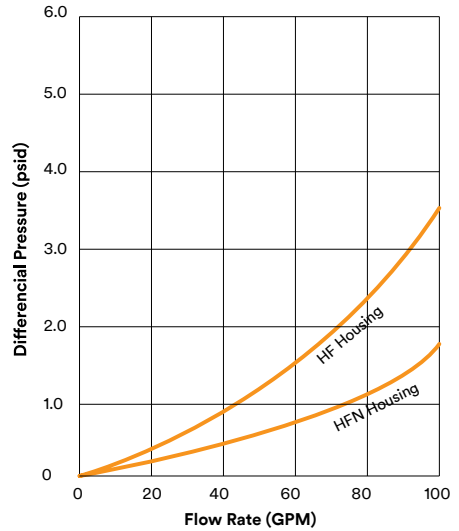
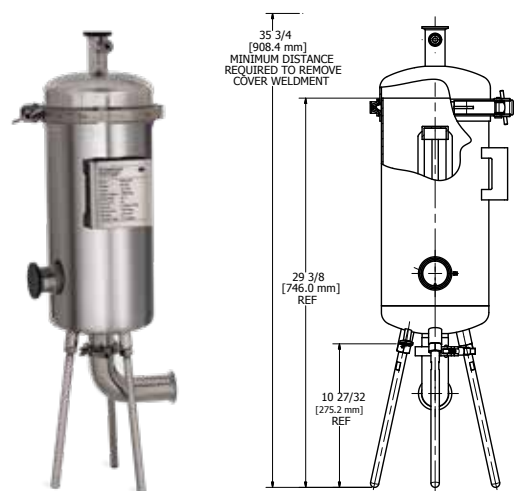


Figure 10: 3M™ High Flow 10" L Housings – ASME Code and Non-Code Versions*. *Total clean system pressure drop is the sum of the housing pressure drop and the selected element pressure drop for a given flow rate (assumes fluid viscosity of 1 cps).



10" HF Housing ASME Code



10" HF Sanitary Design Housing

3M™ High Flow Filter System

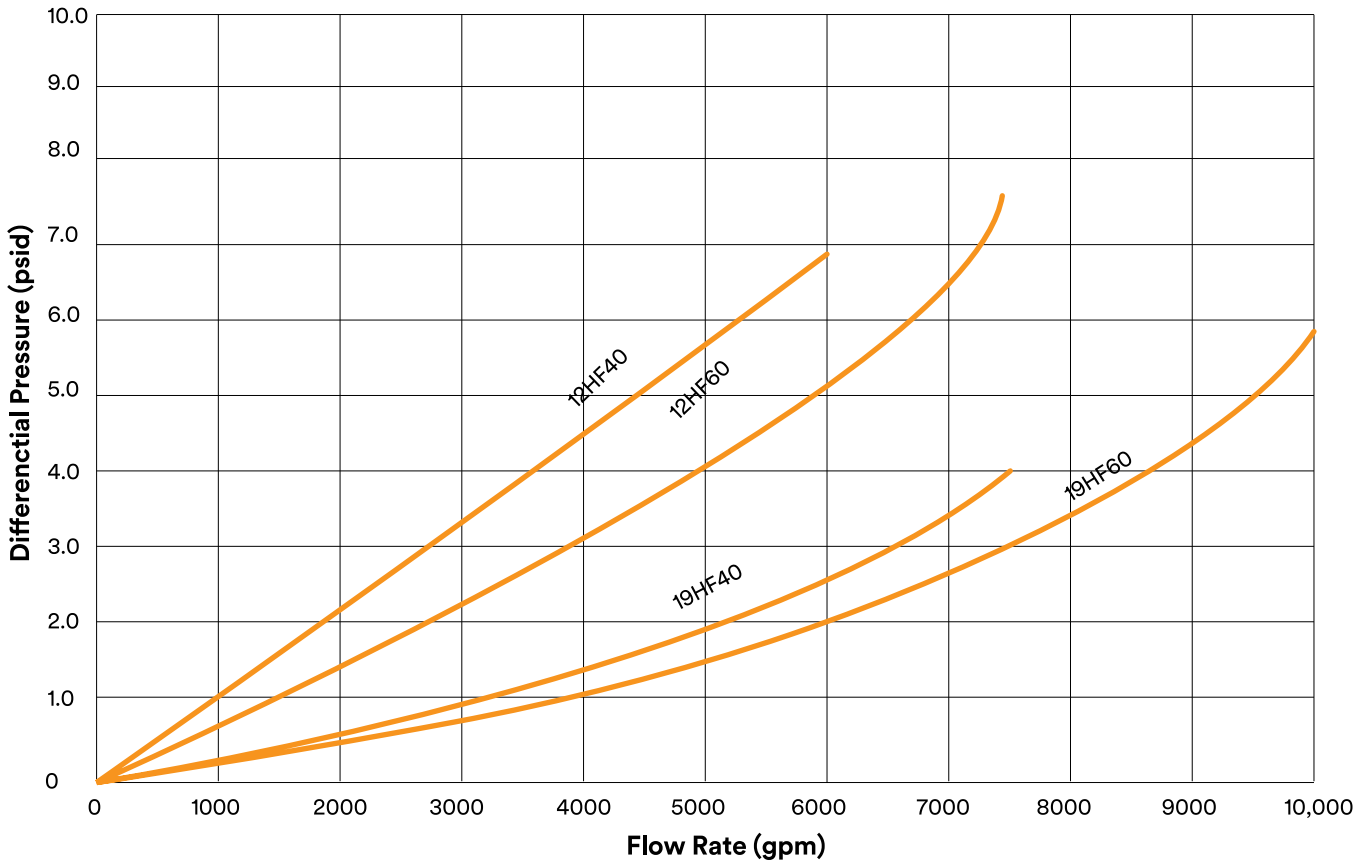
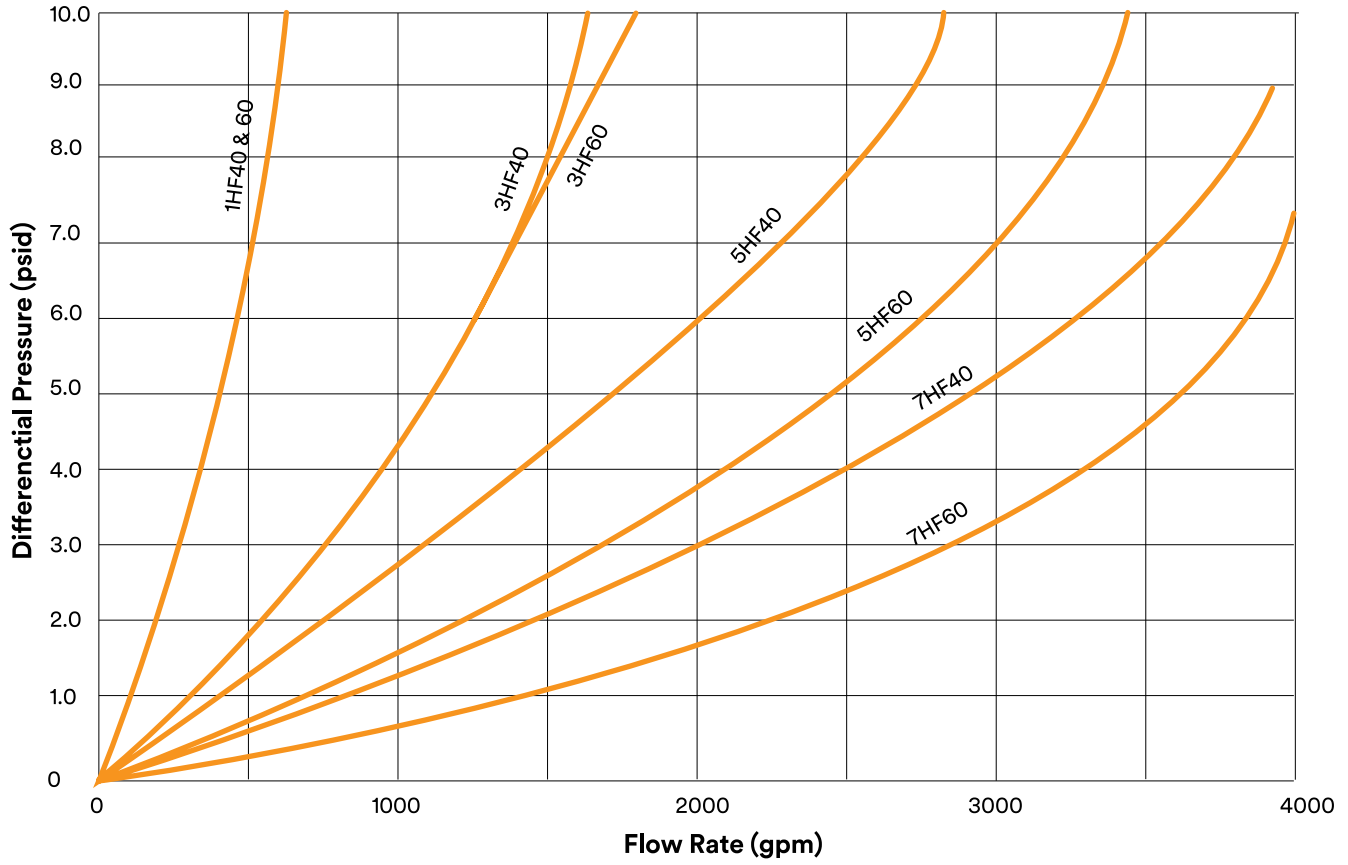


Figure 11: 3M™ High Flow housing (40”L & 60”L) clean pressure drop vs. flow rates*
 *Assumes fluid viscosity of 1 cps. Pressure drop for MAX housing models without filters installed.

3M™ High Flow Cartridges - Ordering Guide

Model	Cartridge Length	Micron Rating (@ 99.9% PRE)	Micron Rating	O-Ring Material	Packaging
HF - High Flow	10 - 10 inch 40 - 40 inch 60 - 60 inch	PP - Polypropylene	001 - 1µm 002 - 2µm 005 - 5µm 010 - 10µm 015 - 15µm 025 - 25µm 040 - 40µm 070 - 70µm	A - Silicone B - Fluorocarbon C - EPDM D - Nitrile	01 - 1 Pack

Model	Cartridge Length	Micron Rating (@ 99.9% PRE)	Micron Rating	O-Ring Material
HFM - High Flow (High Loft Media)	10 - 10 inch 40 - 40 inch 60 - 60 inch	PP - Polypropylene	A05 - 5 um (Absolute) A10 - 10 um (Absolute) A20 - 20 um (Absolute) *N05 - 5µm (Nominal)	D - Nitrile

*(70µm Absolute)

3M™ High Flow Industrial ASME Code Housings - Ordering Guide (For 40" & 60" Length Cartridges)

Number of Filter Elements	Model	Flow Rate Capability	Cartridge Size	Configuration	Housing Material ⁽¹⁾
1 3 5 7 12 19	HF	X = MAX S = STD ⁽²⁾	40 60	H = Horizontal V = Vertical ⁽³⁾	A = Carbon Steel ⁽²⁾ B = 304 SS ⁽²⁾ C = 316 SS

Notes:

- 1) All housing models come standard with nitrile cover gasket. Contact factory for other gasket materials.
- 2) Not available for single element (1-round) configuration.
- 3) 1HFX40V is standard configuration, other vertical configurations available upon request.

3M™ High Flow Housings - Ordering Guide (for all 10" and Sanitary Design 40" and 60" Length Housings)

Part Number	Description
1HFN10VCGD	1-Around 10" High Flow, Non-Code, Vertical, 316LSS, Nitrile Gasket, 2" npt Inlet/Outlet
1HF10VBGD	1-Around 10" High Flow, ASME Code, Vertical, 304 SS, Nitrile Gasket, 2" Flange Inlet/Outlet
1HF10VCS	1-Around 10" High Flow, Non-Code, Vertical, 316L SS, EPDM Gasket, 2" Sanitary Inlet/Outlet
1HFX40HCS	1-Around 40" High Flow, Non-Code, Horizontal, 316L SS, EPDM Gasket, 3" Sanitary Inlet/Outlet
1HFX60HCS	1-Around 60" High Flow, Non-Code, Horizontal, 316L SS, EPDM Gasket, 3" Sanitary Inlet/Outlet



3M™ High Flow series filter cartridges are tested and certified by WQA against NSF/ANSI Standard 61 for material safety requirements only.

For more information about the 3M High Flow series system please contact your local Industrial territory sales manager, call 1-800-243-6894, option 4 or visit our website at 3M.com/highflow.

Product Selection and Use: Many factors beyond 3M's control and uniquely within user's knowledge and control can affect the use and performance of a 3M product in a particular application. As a result, customer is solely responsible for evaluating the product and determining whether it is appropriate and suitable for customer's application, including conducting a workplace hazard assessment and reviewing all applicable regulations and standards (e.g., OSHA, ANSI, etc.). Failure to properly evaluate, select, and use a 3M product and appropriate safety products, or to meet all applicable safety regulations, may result in injury, sickness, death, and/or harm to property.

Warranty, Limited Remedy, and Disclaimer: Unless a different warranty is specifically stated on the applicable 3M product packaging or product literature (in which case such warranty governs), 3M warrants that each 3M product meets the applicable 3M product specification at the time 3M ships the product. 3M MAKES NO OTHER WARRANTIES OR CONDITIONS, EXPRESS OR IMPLIED, INCLUDING, BUT NOT LIMITED TO, ANY IMPLIED WARRANTY OR CONDITION OF MERCHANTABILITY, FITNESS FOR A PARTICULAR PURPOSE, OR ARISING OUT OF A COURSE OF DEALING, CUSTOM, OR USAGE OF TRADE. If a 3M product does not conform to this warranty, then the sole and exclusive remedy is, at 3M's option, replacement of the 3M product or refund of the purchase price.

Limitation of Liability: Except for the limited remedy stated above, and except to the extent prohibited by law, 3M will not be liable for any loss or damage arising from or related to the 3M product, whether direct, indirect, special, incidental, or consequential (including, but not limited to, lost profits or business opportunity), regardless of the legal or equitable theory asserted, including, but not limited to, warranty, contract, negligence, or strict liability.



3M Purification Inc.
Separation and Purification
Sciences Division
400 Research Parkway
Meriden, CT 06450 USA

Phone 1-800-243-6894
1-203-237-5541
Web 3Mpurification.com

Water Quality Association Tested and Validated Under Industry Standards is a trademark of Water Quality Association.
3M is a trademark of 3M Company.
© 2018 3M Company. All rights reserved.
70020187103 REV 0818