

Multi-Cartridge Filter Housings

PCC SERIES CARBON STEEL

FABRICATED CARBON STEEL HOUSINGS FOR LARGE FLOW APPLICATIONS

Facilities with high capacity air systems demand quality filtration that provides long life and critical protection. PCC Series large flow filters meet the challenge and provide contaminant protection for the premium grade desiccants used in our dryers and the contaminant sensitive applications within your plant.

DESCRIPTION

A series of 8"-20" - diameter free-standing "L" type housings fabricated of carbon steel for gas flows of 1,200 to 15,000 SCFM at 100 psig (higher flow rates at 300 psig). Designed specifically for use with PPC high performance air and gas filter cartridges.

FEATURES AND BENEFITS

- Simple top-loading design for easy filter cartridge access. No need to disconnect drain valve or other tubing when changing cartridges.
- Low housing constructed from carbon steel in accordance with ASME code. All stainless steel construction available.
- Element O-ring seals avoid leakage paths associated with tie-rod designs which permit contamination downstream.
- Lifting lug on housing cover and simple bolt closure for ease of filter change-out.
- 1/2" NPT drain and vent ports enable housings to be used without after-purchase modifications.
- 1/4" NPT inlet and outlet pressure gauge taps accommodate preventive maintenance for aid in trouble-shooting.
- Multiple cartridge design accommodates high flow rates
- Exterior and interior painted finish for optimum corrosion protection.

Typical gases include air, nitrogen, helium and argon. Contact PPC for filter compatibility.



PRECISION FABRICATION

Craftsmen transform high-grade carbon steel plate into ASME approved pressure vessels rated to 300 psig. Global leaders rely on these hand crafted filter housings for the rugged durability required by applications such as power plants, paper mills, refineries, and petro-chemical installations. PCC Series housings are shot blasted then receive corrosion-resistant primer and enamel top coat finish for lasting protection.

APPLICATIONS

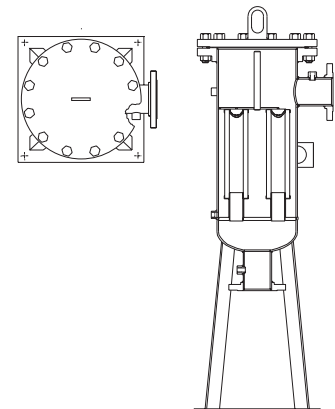
For use in the separation or filtration of liquid oil & water (coalescing), hydrocarbon vapors or particulates in compressed air or other gases. May be used alone or as pre- or after-filters for a PPC regenerative absorption dryer.

Product Specifications

Model	Capacity scfm	Connections In/Out inches	Nominal Housing Diameter inches	Dimensions inches					Min Overhead Clearance inches	PSID*		AF/HT Dry & Clean	Approx. Weight lbs	Element No. Reqd.
				A	B	C	D	E		Super SU Dry & Clean	Sat.			
150 PSIG DESIGN														
PCC112001G49	1,200	3 ANSI FLG	8	20	11	41	15	69	34	2.2	3.5	1.6	200	1
PCC114003G49	1,400		10	21	12	31	15	61	24	1.0	2.1	0.5	220	3
PCC118003G65	1,800	4 ANSI FLG	10	21	12	32	19	65	24	1.2	2.6	0.5	250	3
PCC124004G65	2,400		12	22	12	32	19	65	24	1.3	2.8	0.7	340	4
PCC136003G97	3,600	6 ANSI FLG	10	21	12	48	19	82	34	2.3	3.6	1.7	350	3
PCC148004G97	4,800		12	22	12	48	19	82	34	2.4	3.7	1.8	770	4
PCC160005G97	6,000		14	25	14	50	20	85	34	2.5	3.8	1.9	820	5
PCC172006G129	7,200	8 ANSI FLG	16	26	14	52	24	92	34	2.4	3.7	1.8	920	6
PCC196008G129	9,600		18	29	16	52	24	92	34	2.5	3.9	1.9	1,040	8
PCC11060012G129	10,600		20	32	16	54	25	93	34	1.6	2.6	1.1	1,230	12
300 PSIG DESIGN														
PCC312001G49	2,760	3 ANSI FLG	8	20	11	41	15	69	34	4.3	6.3	3.7	200	1
PCC314003G49	3,220		10	21	12	31	15	61	24	1.7	3.4	1.2	220	3
PCC318003G65	4,140	4 ANSI FLG	10	21	12	32	19	65	24	1.9	4.0	1.2	250	3
PCC324004G85	5,520		12	22	12	32	19	65	24	2.2	4.3	1.5	340	4
PCC336003G97	5,000	6 ANSI FLG	10	21	12	48	19	82	34	1.8	2.9	1.4	350	3
PCC348004G97	7,180		12	22	12	48	19	82	34	2.1	3.4	1.7	770	4
PCC360005G97	8,560		14	25	14	50	20	85	34	2.0	3.2	1.6	820	5
PCC372006G129	12,000	8 ANSI FLG	16	26	14	52	24	92	34	2.5	4.0	2.1	920	6
PCC396008G129	15,000		20	32	16	54	25	93	34	2.4	3.7	2.0	1,230	12

*SCFM and PSID at 100 psig and 250 psig, 100°F

Performance data per CAGI Standard ADF 200 for Dual-Tower Regenerative Desiccant Compressed Air Dryer. Rating conditions are 100°F (37.8°C) inlet 100 psig (6.9 bar) inlet pressure, 100% relative humidity, 100°F (37.8°C) ambient temperature. Consult factory for sizing assistance. Larger models available.



SPX Flow Technology | 4647 SW 40th Avenue | Ocala, Florida 34474-5788 U.S.A.

P: (352) 873-5793 F: (352) 873-5770 E: ppc.americas@spx.com

www.pneumaticproducts-spx.com | www.spx.com

SPX reserves the right to incorporate our latest design and material changes without notice or obligation. Design features, materials of construction and dimensional data, as described in this bulletin, are provided for your information only and should not be relied upon unless confirmed in writing. Please contact your local sales representative for product availability in your region. For more information visit www.spx.com. The green ">" is a trademark of SPX Corporation, Inc.

ISSUED 07/2013 PPC_PCC_US COPYRIGHT © 2013 SPX Corporation