

Filmet Filter

2.5" – 6" NB

Filmet Filter 2.5" – 6" (65 mm – 150 mm)

The Filmet range of filters has been designed specifically for applications where there are high flow rates requiring high efficiency filtration whilst maintaining extremely low pressure loss characteristics. It is ideally suited for flow meter protection for high value product, and is equally suitable for turbine, positive displacement and orifice plate types of flow meters.

STANDARD FEATURES

- Quick release covers eliminate the need for tools for maintenance
- Very large basket filtration area to pipe CSA ratio up to 25:1
- Flow from inside to outside of basket to trap and retain debris
- Fitted with 2 mm perforated stainless steel basket
- A range of fine stainless steel mesh inserts to give particle removal down to 50 micron
- No spillage of product when cover is removed for basket cleaning
- Drain and gauge tappings available as required
- Simple robust construction
- Available in Cast Iron or Cast Steel



DESIGN DATA

SIZE		CAST IRON BS 1452 GR 220		CAST STEEL ASTM A216 WCB	
		FLANGE RATING	DESIGN PRESSURE	FLANGE RATING	DESIGN PRESSURE
IN	MM				
2½	65	ASME B16.1 CLASS 125 FF	12 BARG	ASME B16.5 CLASS 300 RF	24 BARG
3	75		12 BARG		24 BARG
4	100		12 BARG		24 BARG
6	150		10.3 BARG		24 BARG

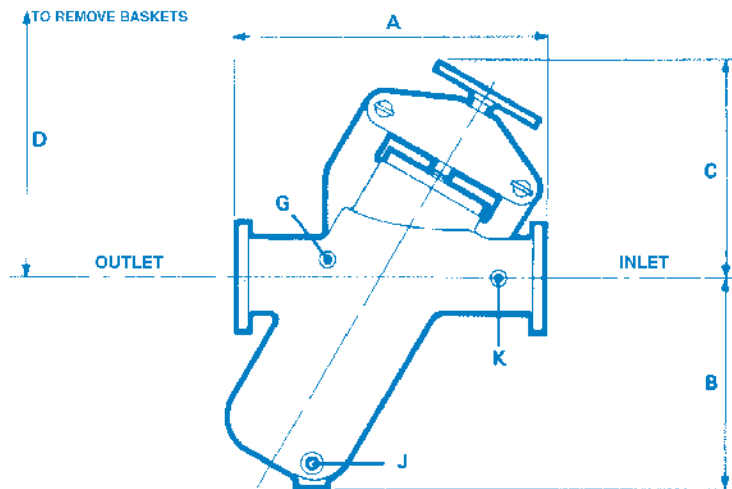


Flanges drilled to Customer requirements

All Baskets & Mesh Inserts are 316SS

DIMENSIONS

SIZE		BASKET SIZE (IN)	A MM	B MM	C MM	D MM	J BSPT	WEIGHT	
IN	MM							LB	KG
2½	65	3	400	216	229	406	¾"	90	41
3	75	4	495	292	368	597	¾"	150	68
4	100	6	619	406	381	697	1"	300	136
6	150	8	819	572	497	903	1¼"	600	272



SPX®

SPX Flow Technology, SPX International Ltd, Hambridge Road, Newbury, Berkshire RG14 5TR
 Phone: +44 1635 42363 Fax: +44 1635 49758 E-Mail: plentyfilters@spx.com
 For more information about our worldwide locations, approvals, certifications, and local representatives,
 please visit www.plentyfiltration.net

SPX reserves the right to incorporate our latest design and material changes without notice or obligations.

Design features, materials of construction and dimensional data, as described in this bulletin, are provided for your information only and should not be relied upon unless confirmed in writing. Please contact your local sales representative for product availability in your region. For more information visit www.spx.com.

"The green ">" is a trademark of SPX Corporation, Inc."