

The logo for SPX, with 'SP' in dark grey and 'X' in green, followed by a registered trademark symbol.

SPX®

A green arrow icon pointing to the right.

Where Ideas Meet Industry



Complete Solutions for Liquid Filtration

Self Cleaning Filter Standard Range

Models 075, 100, 125, 150, 200, 300, 400
Sizes 20mm (3/4") – 100mm (4")

Manual & Automatic

The Standard Range of self cleaning filters provides highly cost effective solutions to difficult liquid filtration problems of all viscosities.

Main Features

- Continuous filtration-No interruption to flow during cleaning process
- Minimal amount of liquid loss during cleaning process
- Suitable for practically all liquids including those of high viscosity
- Filtration levels down to 25 micron
- Separate bowl and head secured by Vee clamp allows easy access to element
- Maximum working pressure 13.8 barg at 50°C
- Maximum working temperature 260°C (dependent on seal material)
- High quality 316 stainless steel wound wedge wire or perforated element

Options

- Filters available in the following materials:
 - Head:** stainless steel or cast iron
 - Bowl:** stainless steel
- Range of automated control devices available.

Please note

- 1 Working pressure is stated at 50°C. To verify suitability of this equipment above this temperature or below 0°C, please contact our Technical Sales Team.
- 2 Whilst alternative seal materials e.g. EP, PTFE are available and can be used to offer a wide range of chemical compatibility and working temperatures up to 260°C, it is recommended that such applications are again discussed with our Technical Sales Team.



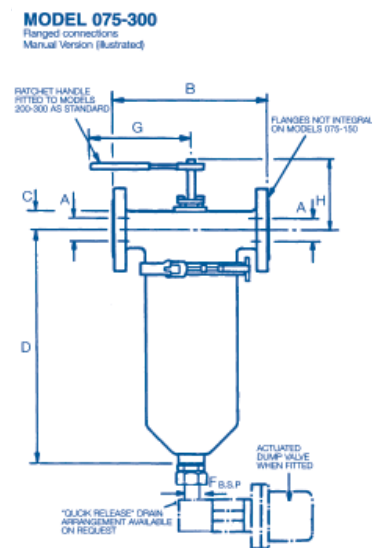
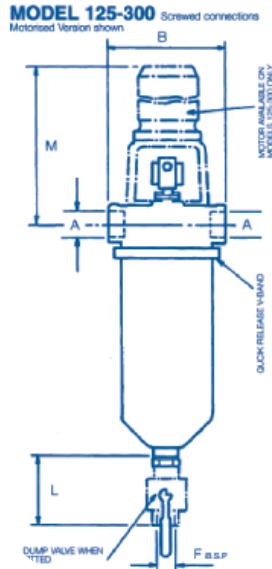
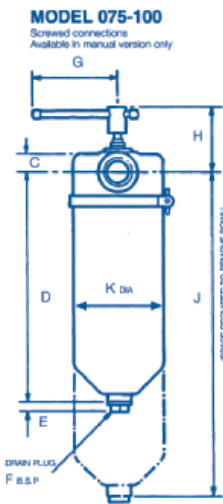
SPX[®]

Screwed Filters (sizes in mm)

| Model | A | B | C | D | E | F | G | H | J | K | L | M | Weight (kg) |
|-------|-----------|-----|----|-----|----|---------|-----|-----|-----|-----|-----|-----|-------------|
| 075 | 3/4"BSP | 150 | 24 | 273 | 13 | 1/2"BSP | 185 | 80 | 450 | 114 | — | — | 7kg |
| 100 | 1"BSP | 150 | 24 | 273 | 13 | 1/2"BSP | 185 | 80 | 450 | 114 | — | — | 7kg |
| 125 | 1 1/4"BSP | 208 | 32 | 404 | 20 | 1"BSP | 185 | 133 | 640 | 160 | 110 | 445 | 11.2kg |
| 150 | 1 1/2"BSP | 208 | 32 | 404 | 20 | 1"BSP | 185 | 133 | 640 | 160 | 110 | 445 | 11.2kg |
| 200 | 2"BSP | 220 | 40 | 458 | 20 | 1"BSP | 185 | 133 | 665 | 160 | 110 | 447 | 19kg |

Flanged Filters (sizes in mm)

| Model | A | B | C | D | E | F | G | H | J | K | L | M | Weight (KG) |
|-------|---|-----|----|-----|----|-------|-----|-----|-----|-----|-----|-----|-------------|
| 125 | 1 1/4" | 270 | 32 | 404 | 20 | 1"BSP | 185 | 133 | 640 | 160 | 110 | 445 | 11kg |
| 150 | 1 1/2" | 270 | 32 | 404 | 20 | 1"BSP | 185 | 133 | 640 | 160 | 110 | 445 | 11kg |
| 200 | 2" | 270 | 40 | 458 | 20 | 1"BSP | 185 | 133 | 665 | 160 | 110 | 447 | 25.0kg |
| 300 | 3" | 300 | 56 | 575 | 20 | 2"BSP | 185 | 148 | 895 | 190 | 160 | 46 | 41.0kg |
| 400 | Model 400 unit comprises of two times 300 units manifolded together. Please contact our Technical Sales Team for further information on this product. | | | | | | | | | | | | |



Your local contact:

SPX Flow Control
Hambridge Road
Newbury, Berkshire, RG14 5TR
Phone: +44 (0) 1635 263915 Fax: +44 (0) 1635 36006
E-mail: airpel@spx.com

For more information about our worldwide locations, approvals, certifications, and local representatives, please visit www.spxpe.com.

SPX reserves the right to incorporate our latest design and material changes without notice or obligation. Design features, materials of construction and dimensional data, as described in this bulletin, are provided for your information only and should not be relied upon unless confirmed in writing. Certified drawings are available upon request.



Global Headquarters
13515 Ballantyne Corporate Place
Charlotte, North Carolina 28277
United States

Where Ideas Meet Industry

Where Ideas Meet Industry

www.spx.com