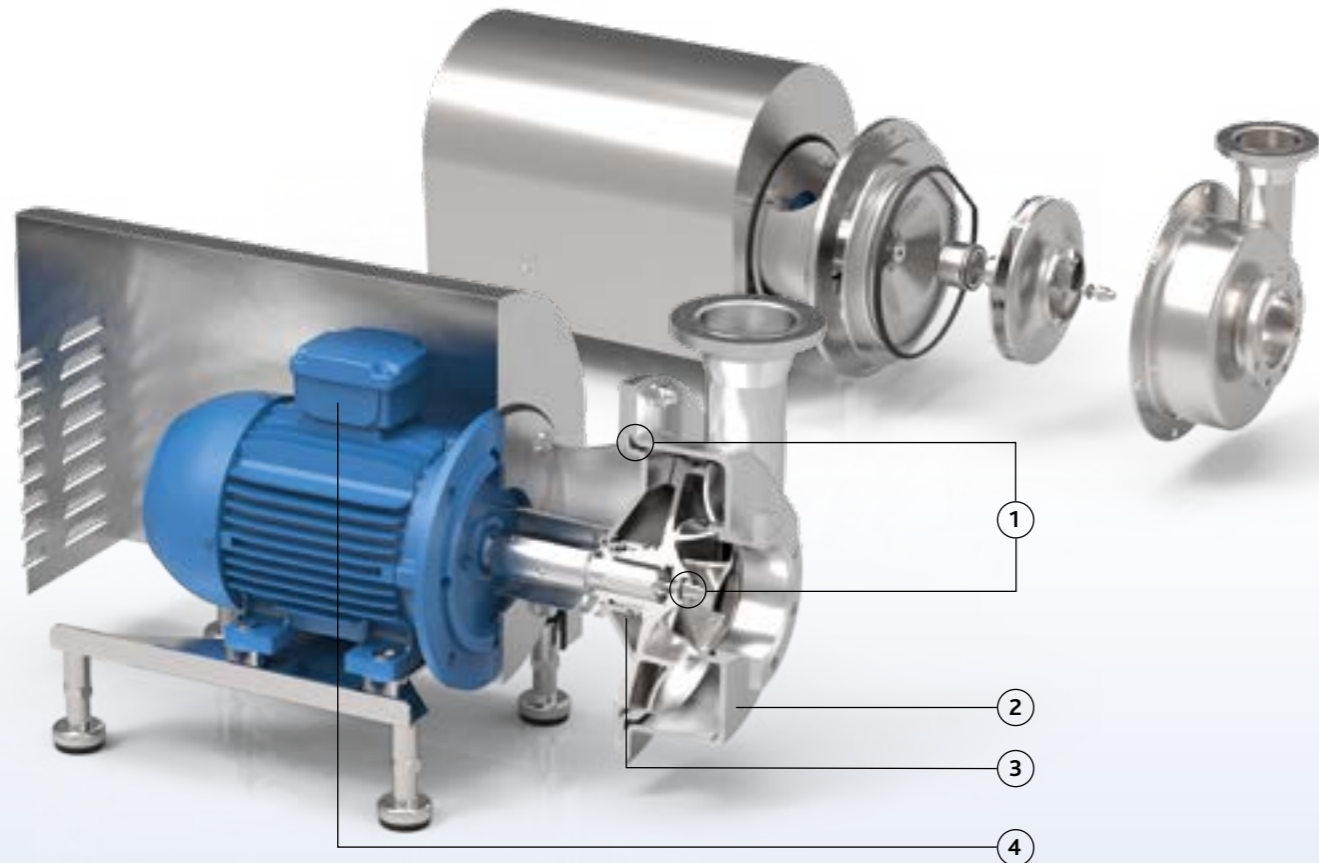


Pump series FP3



Characteristics

The pumps have closed impellers with 3-dimensionally profiled blades and large passage and they are constructed in 316L or duplex materials. Thanks to its crevice-free design and electropolishing as a final surface treatment, the FP3 pump series are perfectly cleanable, resulting in a reliable component for your production process. These perfectly cleanable pumps have stainless steel 316L pump casings constructed in thick cold rolled plate, 100% non-porous and extremely smooth.



FP3

- 1 Electropolished, easy to clean construction, no bacteria traps and no small clearances in order to clean the area around the O-ring
- 2 Pressed stainless steel in 2B quality plate, extremely smooth
- 3 Large seal cavity to clean mechanical seal properly
- 4 Monobloc execution with std. IEC motors
- 5 Standardized mechanical seals to EN 12756
FDA approved bellow mechanical seals or sterile O-ring seals (spring not in contact with the liquid)
- 6 Two seal diameters:
 - motor power ≤ 45 kW: Ø 43 mm
 - motor power > 45 kW: Ø 70 mm



Your benefits

- High pump efficiency resulting in lower energy consumption
- Low NPSH values: less risk on cavitation
- Electropolished: perfectly cleanable
- Easy construction and easy maintenance: less downtime
- Easy to install
- 2 mechanical seal diameters for the entire range
- Robust construction

Application areas

These perfectly cleanable process pumps are the ideal solution for filtration applications, pasteurisation, evaporating systems, yeast propagation and for CIP cleaning systems as well.

Typical applications include filtration of beer, wine and fruit juices as well as pumping yeast, whey and curd.

Pump series	FP3
Performance	
max. flow rate	320 m³/h
max. differential head	120 m
max. discharge pressure	15 bar
max. liquid viscosity	500 cP
max. temperature	140°C
impeller type	closed with back vanes and balancing holes
max. free passage	21 mm
max. motor power	90 kW
max. speed	3000/3600 rpm
available frequency	50/60 Hz
Technical specifications	
materials wetted parts	stainless steel 316L or similar
mechanical seal configuration	single, quench, double
available material o-ring	EFDM, FKM, FEP-FKM, FFKM, Silicone
connections	hygienic fittings
surface finish	hygienic quality, internal welds hand polished + electropolished (casing 0.8 µm - impeller 3.2 µm)
certificates & legislation	

Performance curves at 2900 rpm

FP3

