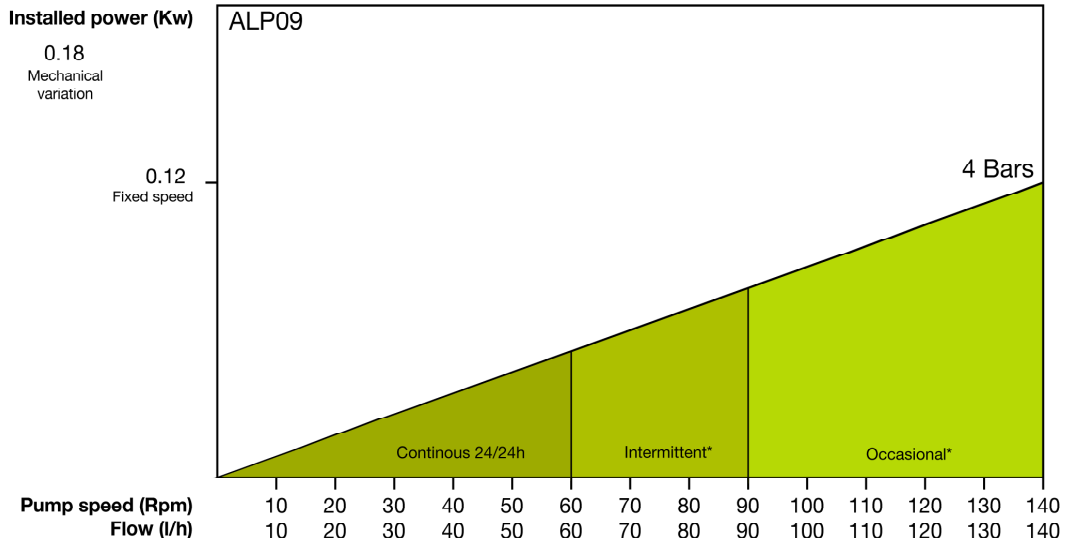


# **ALBIN PUMP ALP**

**PERISTALTIC PUMP**

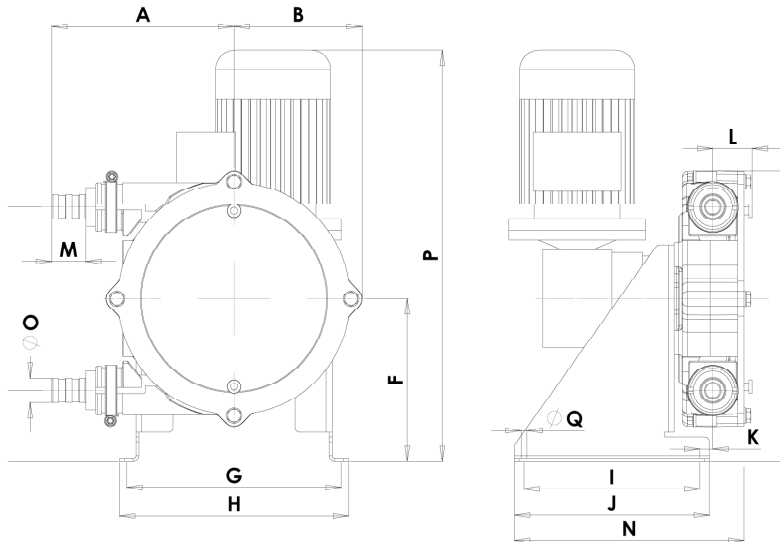
**TECHNICAL DATASHEETS**

# ALP 09 - DATA SHEET



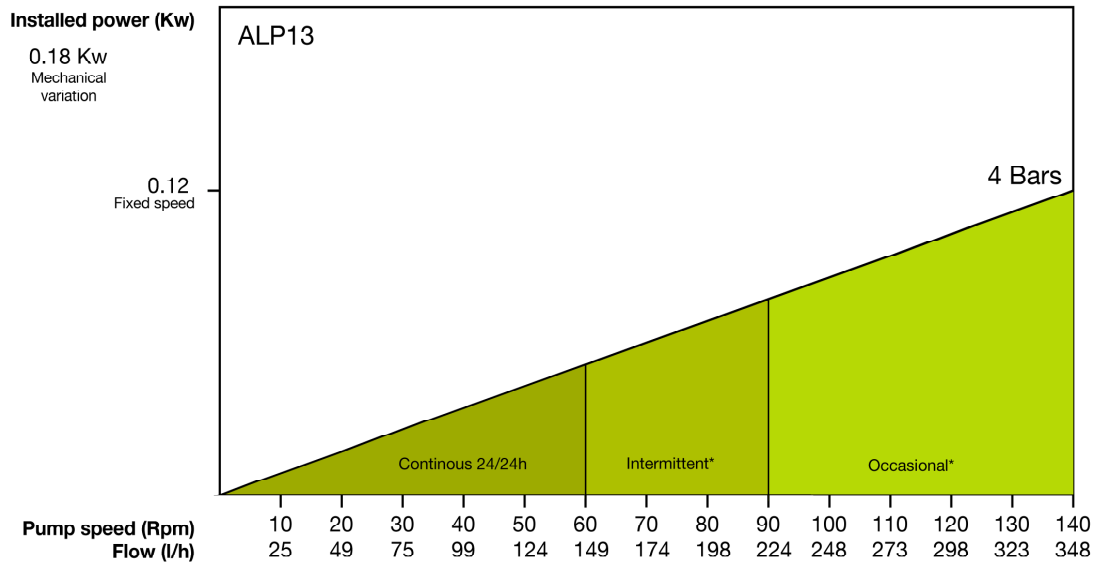
\*Intermittent use : minimum one hour stop after 2 hours run / \*Occasional use : maximum one hour a day

## DIMENSIONS



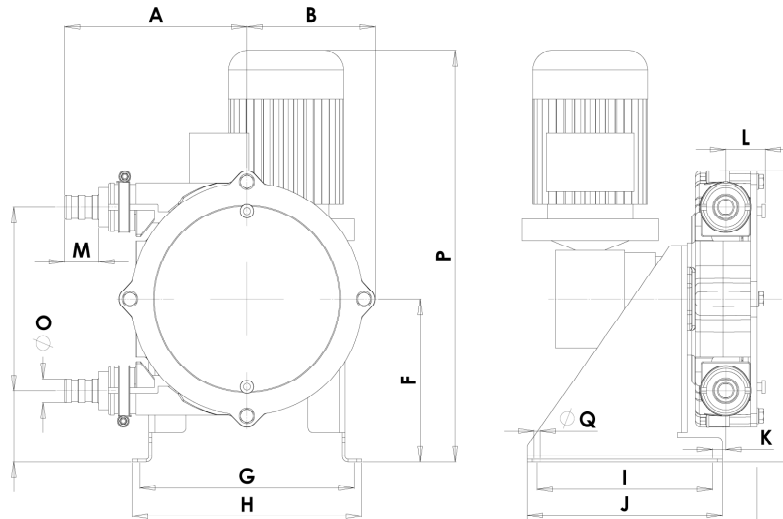
SIZE	A	B	C	D	E	F	G	H	I	J	K	L	M	N	O	P	ØQ
ALP 09F	114	75	104	58	185	110	145	160	156	170	3,5	25	20	187,5	15	335	6
ALP 09VM	114	75	104	58	185	110	145	160	156	170	3,5	25	20	187,5	15	485	6

# ALP 13 - DATA SHEET



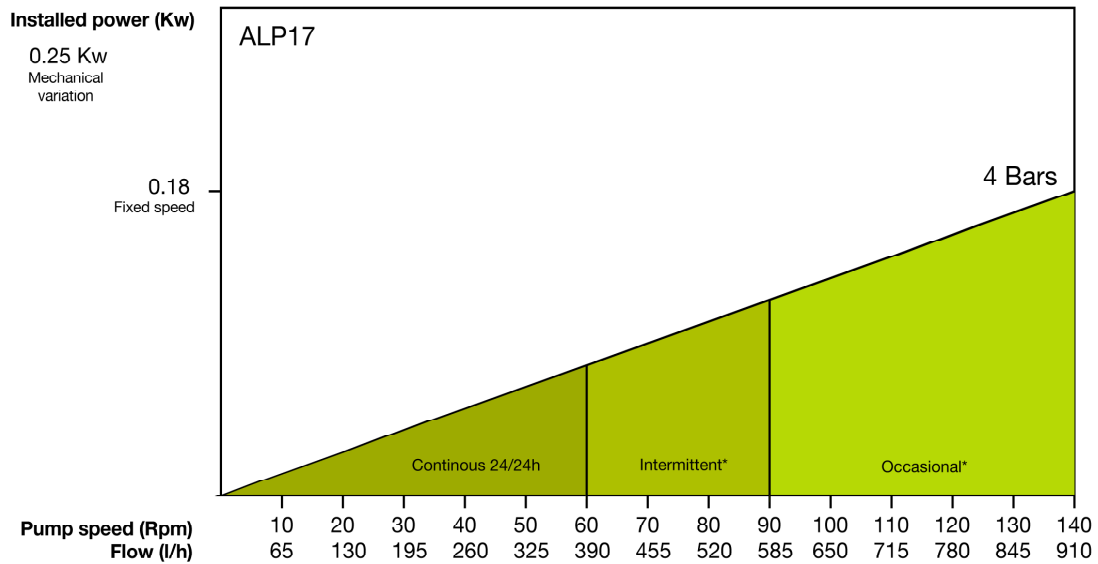
\*Intermittent use : minimum one hour stop after 2 hours run / \*Occasional use : maximum one hour a day

## DIMENSIONS



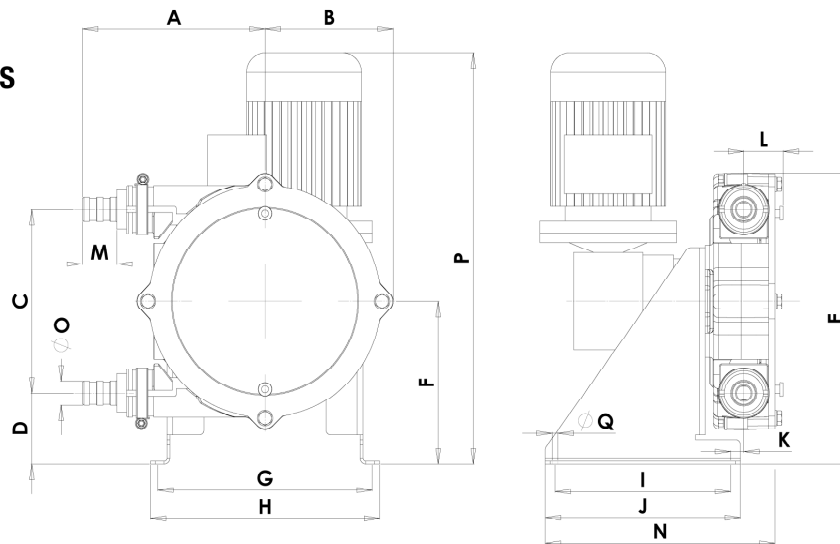
SIZE	A	B	C	D	E	F	G	H	I	J	K	L	M	N	O	P	ØQ
ALP 13F	126	95	132	61	222	127	165	180	156	170	10	28	20	197	19	352	6
ALP 13VM	126	95	132	61	222	127	165	180	156	170	10	28	20	197	19	502	6

# ALP 17 - DATA SHEET



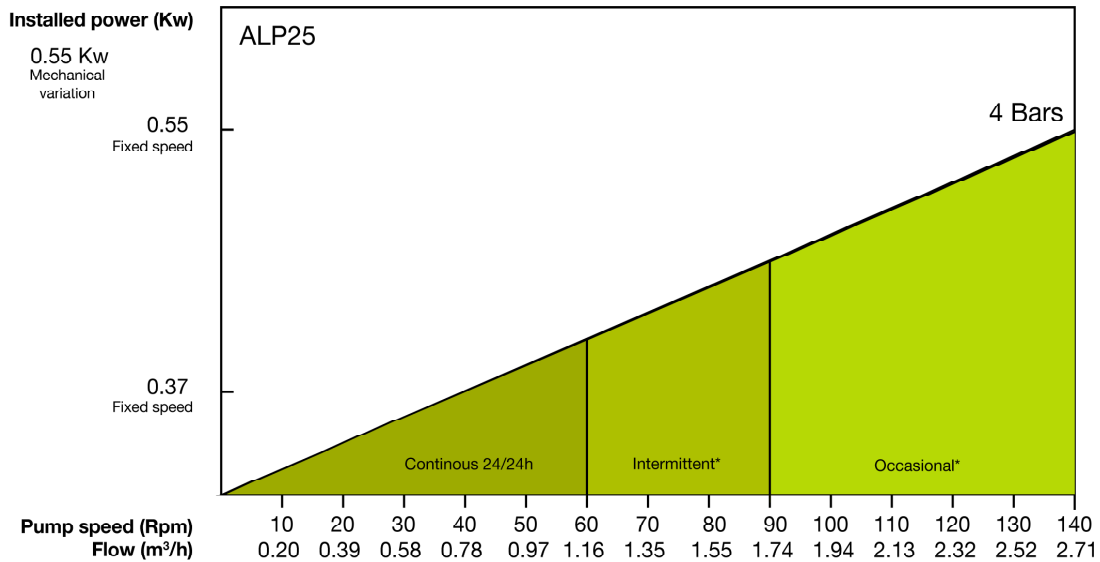
\*Intermittent use : minimum one hour stop after 2 hours run / \*Occasional use : maximum one hour a day

## DIMENSIONS



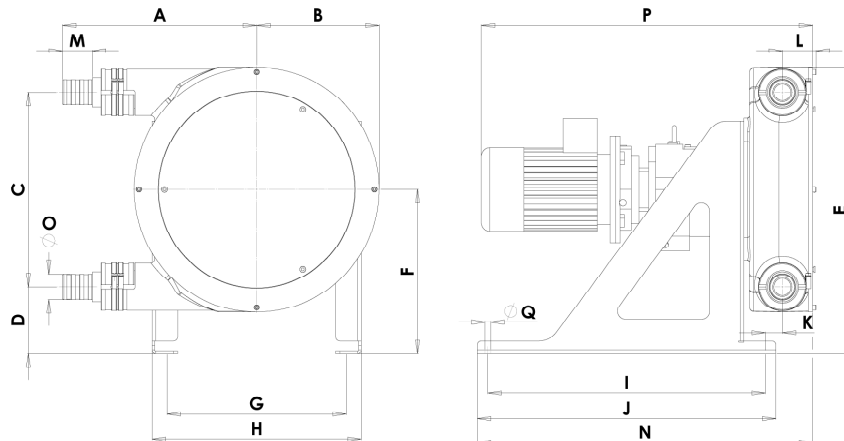
SIZE	A	B	C	D	E	F	G	H	I	J	K	L	M	N	O	P	ØQ
ALP 17F	187	131	188	73	290	167	220	235	180	200	13,5	40,5	35	235,5	25	427	6
ALP 17VM	187	131	188	73	290	167	220	235	180	200	13,5	40,5	35	235,5	25	527	6

# ALP 25 - DATA SHEET



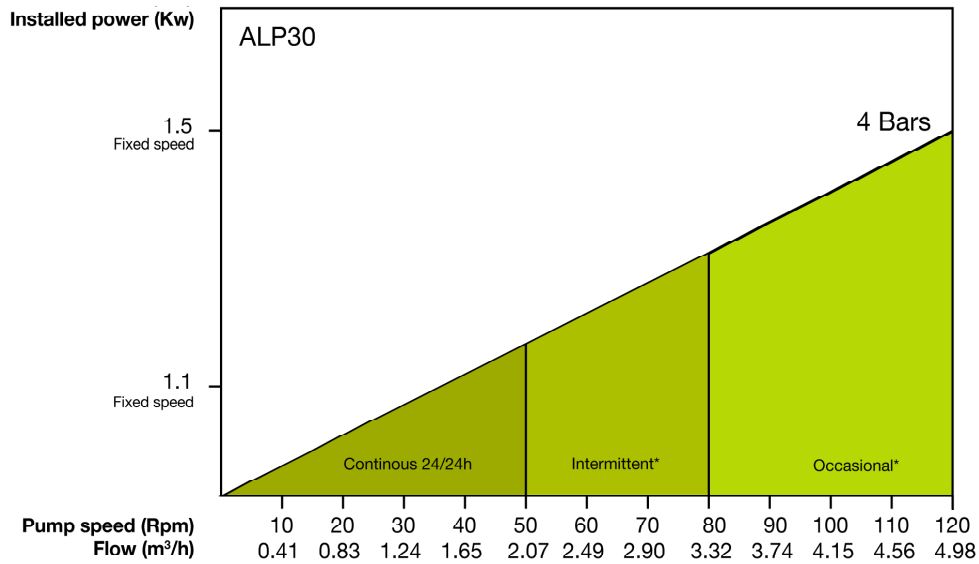
\*Intermittent use : minimum one hour stop after 2 hours run / \*Occasional use : maximum one hour a day

## DIMENSIONS



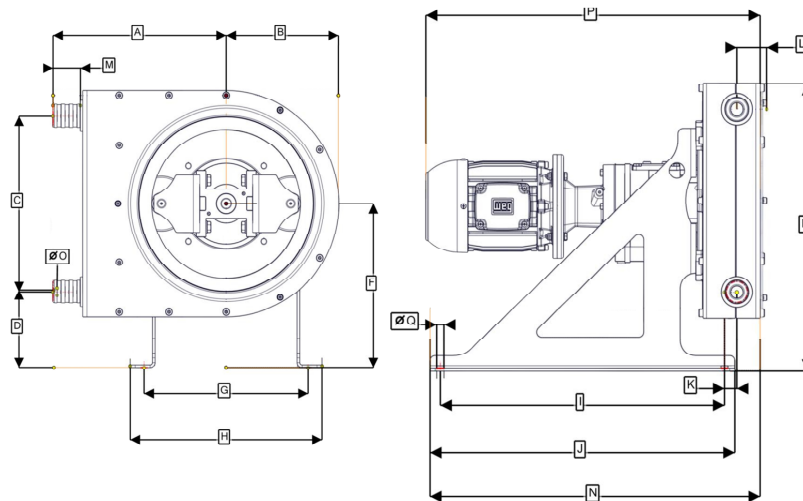
SIZE	A	B	C	D	E	F	G	H	I	J	K	L	M	N	O	P	ØQ
ALP 25F	275	170	256	90	388	218	240	270	400	440	18	52,5	45	482	35	580	11
ALP 25VM	275	170	256	90	388	218	240	270	400	440	18	52,5	45	482	35	720	11

# ALP 30N - DATA SHEET



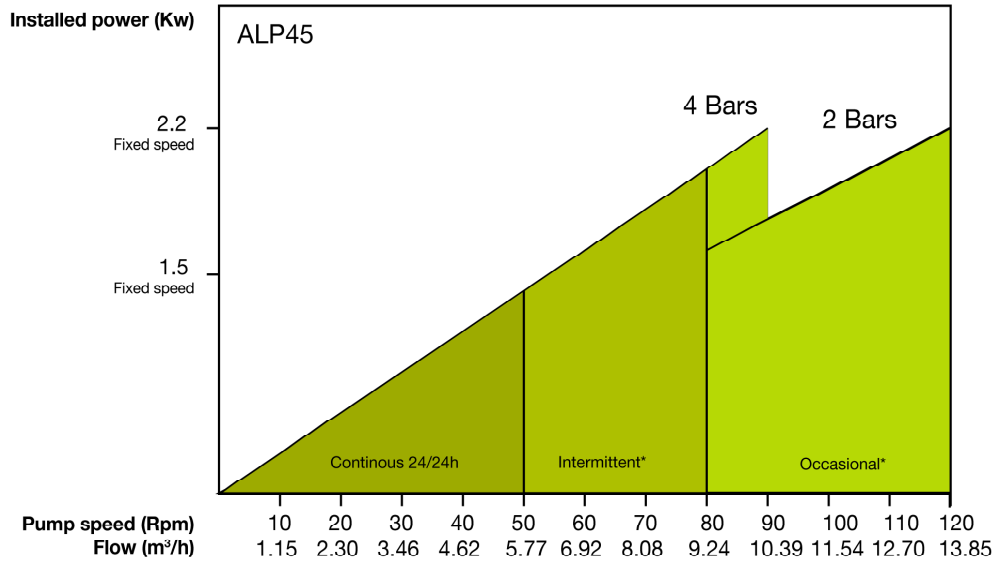
\*Intermittent use : minimum one hour stop after 2 hours run / \*Occasional use : maximum one hour a day

## DIMENSIONS



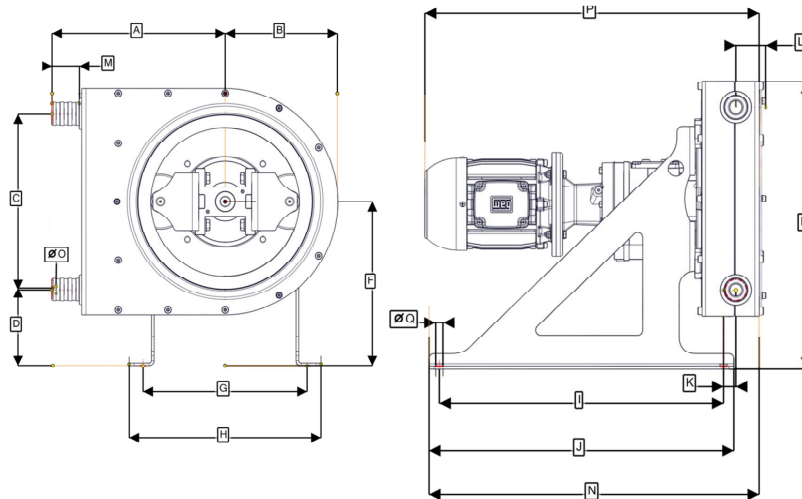
SIZE	A	B	C	D	E	F	G	H	I	J	K	L	M	N	O	P	ØQ
ALP 30F	345	226	364	148	556	330	330	380	550	600	22	66.5	55	655.5	45	672.5	14
ALP 30VM	345	226	364	148	556	330	330	380	550	600	22	66.5	55	655.5	45	812.5	14

# ALP 45N - DATA SHEET



\*Intermittent use : minimum one hour stop after 2 hours run / \*Occasional use : maximum one hour a day

## DIMENSIONS



SIZE	A	B	C	D	E	F	G	H	I	J	K	L	M	N	O	P	ØQ
ALP 45F	455	287	456	157	672	385	420	470	650	700	40	79	70	786	60	776,5	14
ALP 45VM	455	287	456	157	672	385	420	470	650	700	40	79	70	786	60	916,5	14

**ALBIN PUMP SAS**

6, Avenue du Meyrol  
26200 Montélimar  
France

Tel +33 (0) 4 75 90 92 92  
Fax +33 (0) 4 75 90 92 40  
courrier@albinpump.fr  
www.albinpump.com

For more information about our worldwide locations, approvals, certifications, and local representatives, please visit [www.albinpump.com](http://www.albinpump.com).

ALBIN PUMP reserves the right to incorporate our latest design and material changes without notice or obligation.  
Design features, materials of construction and dimensional data, as described in this bulletin, are provided for your information only and should not be relied upon unless confirmed in writing.

Certified drawings are available upon request. © 2008 ALBIN PUMP

