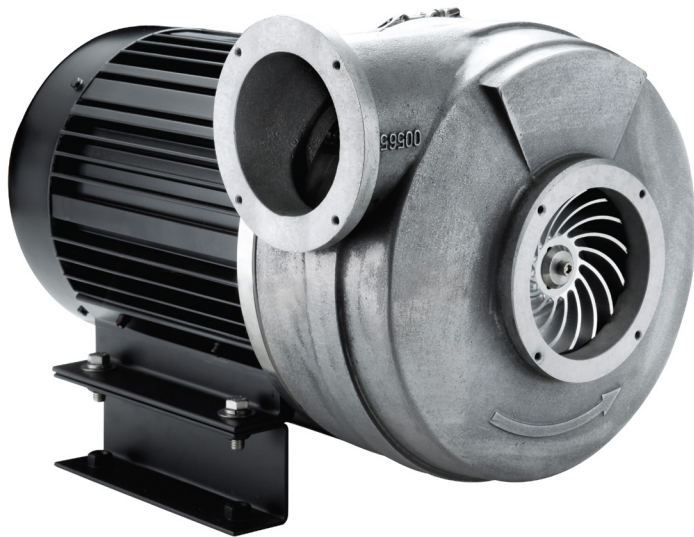


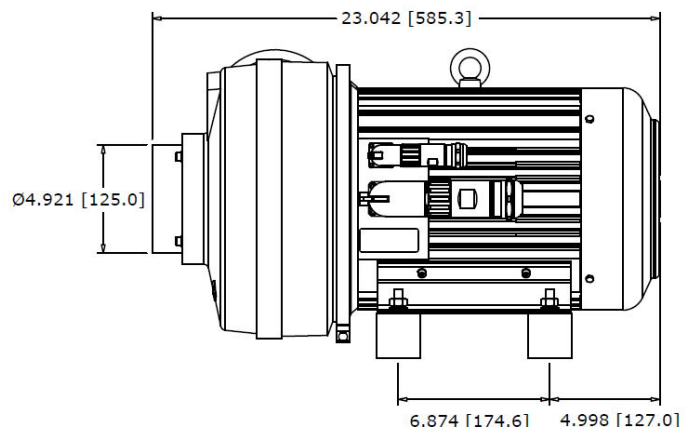
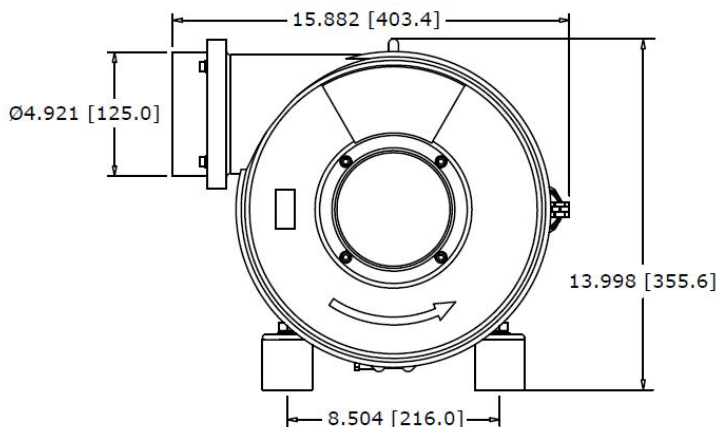
The JET-5™ is ideal for air knife drying, vacuum, fluidized bed, cooling and exhaust applications. The JET-5™ features belt-free DirectDrive™ Technology (US & Int'l. Pat. Pend.), which is enabled by a proprietary high-speed motor and an aerodynamically designed blower. DirectDrive™ enhances reliability and boosts performance by eliminating belts, tensioning devices and complex spindle assemblies common in other high-speed blowers. The JET-5™ is engineered for moderate flow and moderate pressure applications from 30HP[22kW] to 40HP[30kW]. Its design and compact footprint enable it to fit into the widest range of OEM equipment.

JET-5™



**Advantages:**

- **Efficient Power:** The JET-5™ is 10-12% more efficient than belt drive units. Available in 30-40HP or [22-30kW] ratings.
  - Flow: 2200cfm [3738M3Hr]
  - Pressure: 140"WG [350mBar]
  - Vacuum: 120"WG [300mBar]
- **Ultra Compact:** Smallest footprint. One man install. Fed-Ex, DHL, and UPS delivery available. (See dimensions below.)
- **More Reliable:** Built-in motor protection. Ultra-balanced motor shaft. 1 year warranty and fewer parts.
- **Better ROI:** Most efficient energy use. No belts or adjustment costs. Lowest delivery costs.
- **Smart Control:** Variable Frequency Drive (VFD) control enables precise airflow settings, higher efficiencies, PLC connectivity, motor protection and non-spiking soft-starts.



## Technical Specifications

**DESCRIPTION:**

DirectDrive™ Technology, Single Stage Centrifugal Compressor, Oil-Less, Spindle Free Design.

**DRIVE SYSTEM:**

DirectDrive™ Technology, with Variable Frequency Drive Control. Integrated Motor Protection, Air Cooled Rated: 105°F[40°C]

**IMPELLER:**

5 Axis C355 Aluminium

**AERO-BLOWER:**

A356-T6 Aluminum with Integrated Lifting Eye.

**HIGH-SPEED MOTOR:**

TEFC, IP54, External Junction Box, 30-40HP [22-30kW] 3-Phase, 390-480 and 600VAC, 50/60Hz, Thermister, 105°F [40°C] Ambient.

**WEIGHT:**

180lbs.[82kg]

**CONNECTIONS:**

Inlet 5"Ø [126mm], Outlet 4"Ø [102mm], 360° Rotation.

**WARRANTY:**

1 Year.

## Performance Curve: JET-5™

