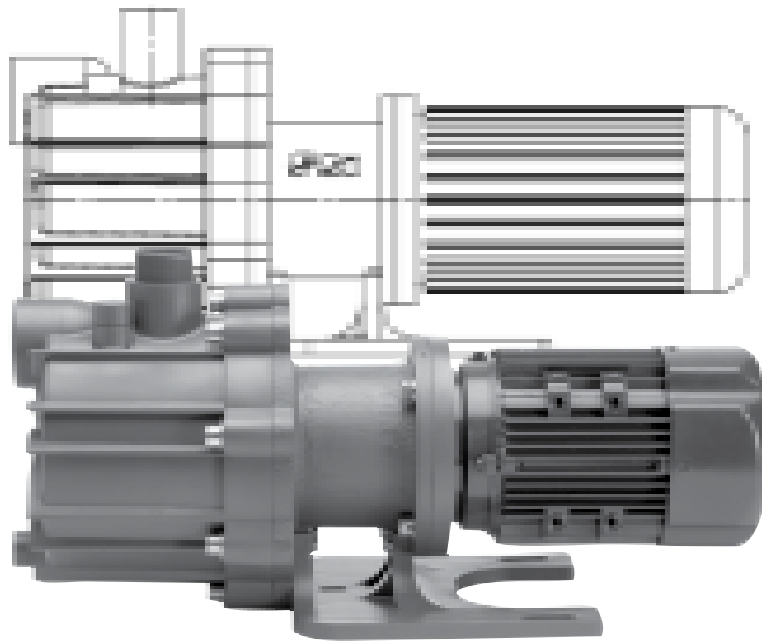


SP SERIES OUTLINE DIMENSIONS

Self-Priming Pumps

Literature ID No. FT06-937, Rev. 4



FINISH THOMPSON INC.

Table of Contents

SP10 Outline Dimensions, Threaded Housing, R100537.....	3
SP10 Outline Dimensions, Union Housing, R100564	4
SP10 Outline Dimensionns, Flanged Housing, R100565.....	5
SP11/15 Outline Dimensions, R100437.....	6
SP11/15 Outline Dimensions, Union Housing, R100438	7
SP11/15 Outline Dimensions, Flanged Housing, R100439.....	8
SP11/15 Outline Dimensions, 80/90 B5 frame, R100465	9
SP11/15 Outline Dimensions, 80/90 B5 frame, Union Housing, R100466.....	10
SP11/15 Outline Dimensions, 80/90 B5 frame, Flanged Housing, R100467	11
SP11/15 Outline Dimensions, 100/112 B5 frame, R100469.....	12
SP11/15 Outline Dimensions, 100/112 B5 frame, Union Housing, R100470	13
SP11/15 Outline Dimensions, 100/112 B5 frame, Flanged Housing, R100471	14
SP22 Outline Dimensions, Threaded Housing, R100538.....	15
SP22 Outline Dimensions, Union Housing, R100539.....	16
SP22 Outline Dimensions, Flanged Housing, R100540.....	17
SP32 Outline Dimensions, Flanged Housing, R101761.....	18

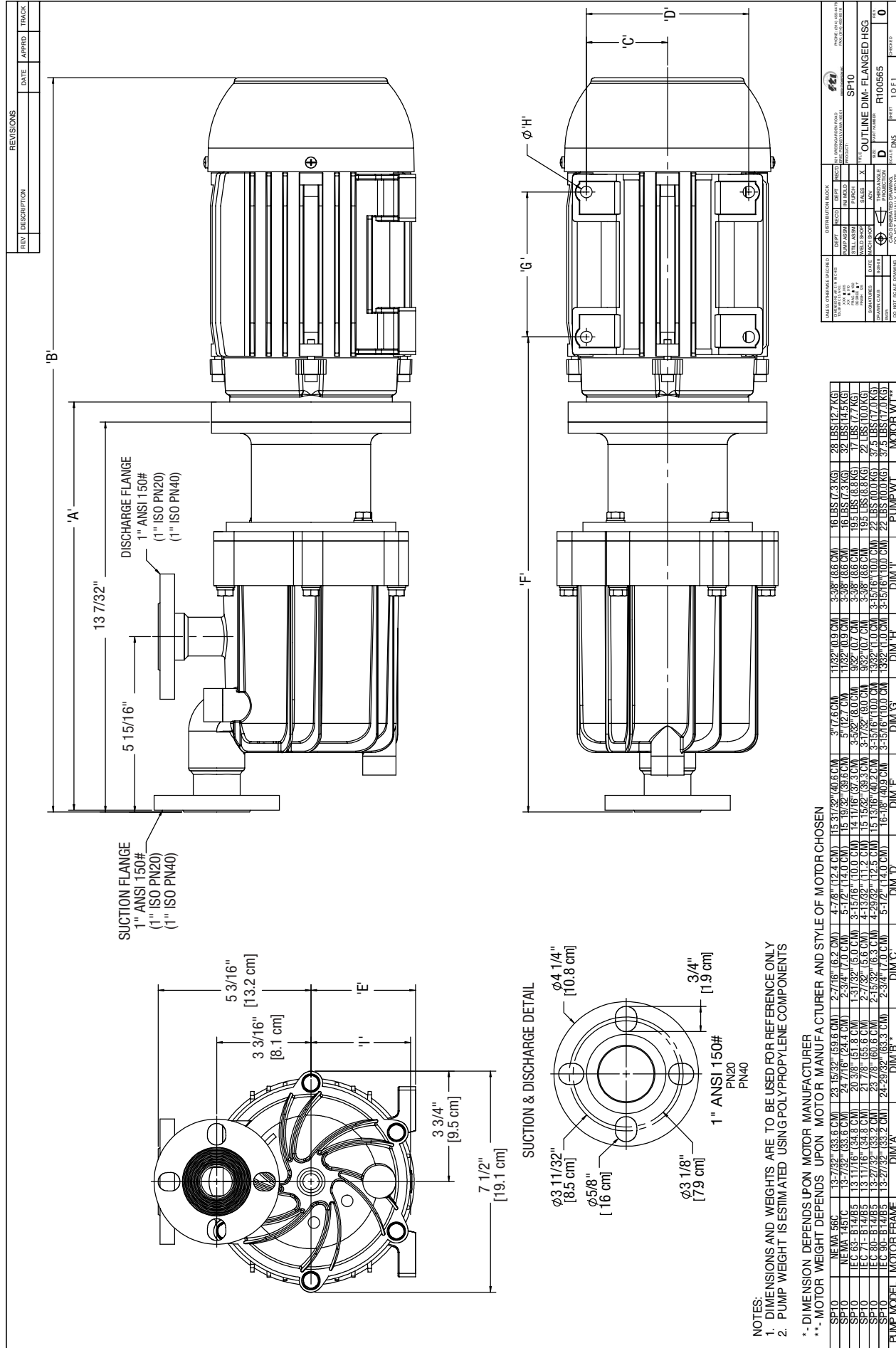
Contact Information:

Finish Thompson Inc.
921 Greengarden Rd.
Erie, PA 16501-1591 USA

Ph 1-814-455-4478
Toll Free 1-800-934-9384 (USA & Canada only)
Fax 1-814-455-8518
Order Fax 1-814-459-3460
Email sales@finishthompson.com

Tech Service 1-800-888-3743

SP10 Outline Dimensions
Flanged Housing - R100565



REV	DESCRIPTION	DATE	APPROV	TRACK

- NOTES:
 1. DIMENSIONS AND WEIGHTS ARE TO BE USED FOR REFERENCE ONLY
 2. PUMP WEIGHT IS ESTIMATED USING POLYPROPYLENE COMPONENTS

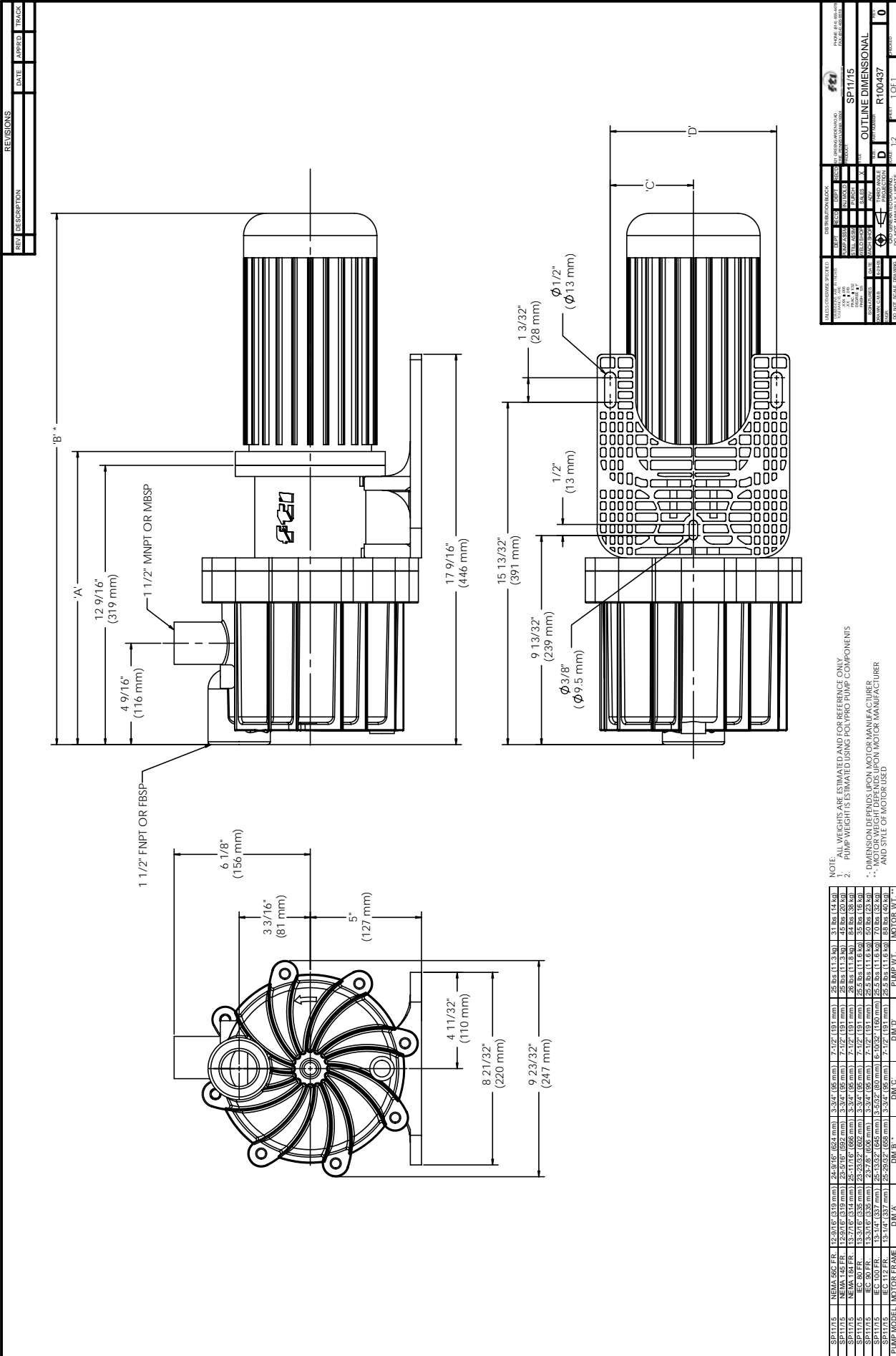
*- DIMENSION DEPENDS UPON MOTOR MANUFACTURER

**- MOTOR WEIGHT DEPENDS UPON MOTOR MANUFACTURER AND STYLE OF MOTOR CHOSEN

PUMP MODEL	MOTOR FRAME	DIM A	DIM B	DIM C	DIM D	DIM E	DIM F	DIM G	DIM H	DIM I	PUMP WT	MOTOR WT
SP10	NEVA 56C	13-7/32" [33.8 cm]	23-15/32" [59.6 cm]	2-7/16" [6.2 cm]	4-7/8" [12.4 cm]	15-31/32" [40.6 cm]	3-7/5 CM	11-3/2" [29.0 cm]	3-3/8" [8.6 cm]	16 LBS [7.3 kg]	28 LBS [12.7 kg]	
SP10	NEVA 1451C	13-7/32" [33.8 cm]	24-7/16" [62.4 cm]	2-7/16" [6.2 cm]	5-1/2" [14.0 cm]	15-19/32" [39.5 cm]	5-1/2" [14.0 cm]	11-3/2" [29.0 cm]	3-3/8" [8.6 cm]	16 LBS [7.3 kg]	32 LBS [14.5 kg]	
SP10	IEC 63-B14/65	13-11/16" [34.8 cm]	20-3/8" [51.8 cm]	1-31/32" [5.0 cm]	3-15/16" [10.0 cm]	14-11/16" [37.3 cm]	3-5/32" [6.0 cm]	9-3/2" [23.8 cm]	3-3/8" [8.6 cm]	19.5 LBS [8.8 kg]	17 LBS [7.7 kg]	
SP10	IEC 71-B14/65	13-11/16" [34.8 cm]	21-7/8" [55.6 cm]	2-7/32" [6.6 cm]	4-13/32" [11.2 cm]	15-15/32" [39.3 cm]	3-17/32" [9.0 cm]	9-3/2" [23.8 cm]	3-3/8" [8.6 cm]	19.5 LBS [8.8 kg]	22 LBS [10.0 kg]	
SP10	IEC 80-B14/65	13-27/32" [33.2 cm]	23-7/8" [60.6 cm]	2-15/32" [6.3 cm]	4-29/32" [12.5 cm]	15-13/16" [40.2 cm]	3-15/16" [10.0 cm]	13-3/2" [34.3 cm]	3-15/16" [10.0 cm]	22 LBS [10.0 kg]	37.5 LBS [17.0 kg]	
SP10	IEC 90-B14/65	13-27/32" [33.2 cm]	24-29/32" [63.3 cm]	2-3/4" [7.0 cm]	5-1/2" [14.0 cm]	16-7/8" [40.9 cm]	3-15/16" [10.0 cm]	13-3/2" [34.3 cm]	3-15/16" [10.0 cm]	22 LBS [10.0 kg]	37.5 LBS [17.0 kg]	

REV	DESCRIPTION	DATE	APPROV	TRACK

MADE IN CHINA APPROVED BY: [Signature] DATE: [Date] DRAWN BY: [Name] CHECKED BY: [Name]	DISTRIBUTION BLOCK REGION: [Region] SALES AREA: [Area] SALES OFFICE: [Office] SALES REPRESENTATIVE: [Name]	PROJECT NO.: [Number] PROJECT NAME: [Name] PROJECT LOCATION: [Location]	DRAWING NO.: R100565 SHEET NO.: 1 OF 1
---	--	---	---



NOTE:
1. ALL WEIGHTS ARE ESTIMATED AND FOR REFERENCE ONLY.
2. PUMP WEIGHT IS ESTIMATED USING POLYPRO PUMP COMPONENTS.
3. DIMENSIONS DEPENDS UPON MOTOR MANUFACTURER.
4. MOTOR WEIGHT DEPENDS UPON MOTOR MANUFACTURER AND STYLE OF MOTOR USED.

PUMP MODEL	MOTOR FRAME	DMA	DMA B	DMA C	DMA D	PUMP WT.	MOTOR WT.
SP11/15	NEMA 56C FR.	12-201/6" (319 mm)	26-91/6" (664 mm)	3-3/4" (95 mm)	7-1/2" (191 mm)	26 lbs (11.3 kg)	31 lbs (14.0 kg)
SP11/15	NEMA 145 FR.	12-201/6" (319 mm)	22-51/6" (592 mm)	3-3/4" (95 mm)	7-1/2" (191 mm)	26 lbs (11.3 kg)	45 lbs (20.4 kg)
SP11/15	NEMA 154 FR.	13-71/6" (344 mm)	22-111/6" (566 mm)	3-3/4" (95 mm)	7-1/2" (191 mm)	26 lbs (11.3 kg)	84 lbs (38.1 kg)
SP11/15	IEC 90 FR.	13-11/6" (338 mm)	22-31/6" (559 mm)	3-3/4" (95 mm)	7-1/2" (191 mm)	26 lbs (11.3 kg)	30 lbs (13.6 kg)
SP11/15	IEC 100 FR.	13-11/6" (338 mm)	22-31/6" (559 mm)	3-3/4" (95 mm)	7-1/2" (191 mm)	26 lbs (11.3 kg)	30 lbs (13.6 kg)
SP11/15	IEC 112 FR.	13-11/6" (338 mm)	22-31/6" (559 mm)	3-3/4" (95 mm)	7-1/2" (191 mm)	26 lbs (11.3 kg)	30 lbs (13.6 kg)
SP11/15	IEC 132 FR.	13-11/6" (338 mm)	22-31/6" (559 mm)	3-3/4" (95 mm)	7-1/2" (191 mm)	26 lbs (11.3 kg)	30 lbs (13.6 kg)

REV	DESCRIPTION	DATE	APPROV	TRACK

DESIGNER	CHECKER	DATE	SCALE

PROJECT NUMBER	PROJECT NAME	PROJECT LOCATION

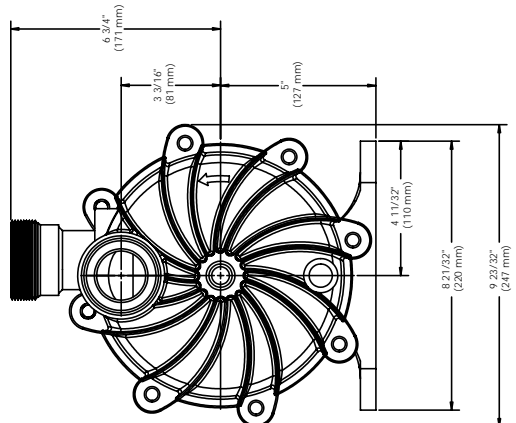
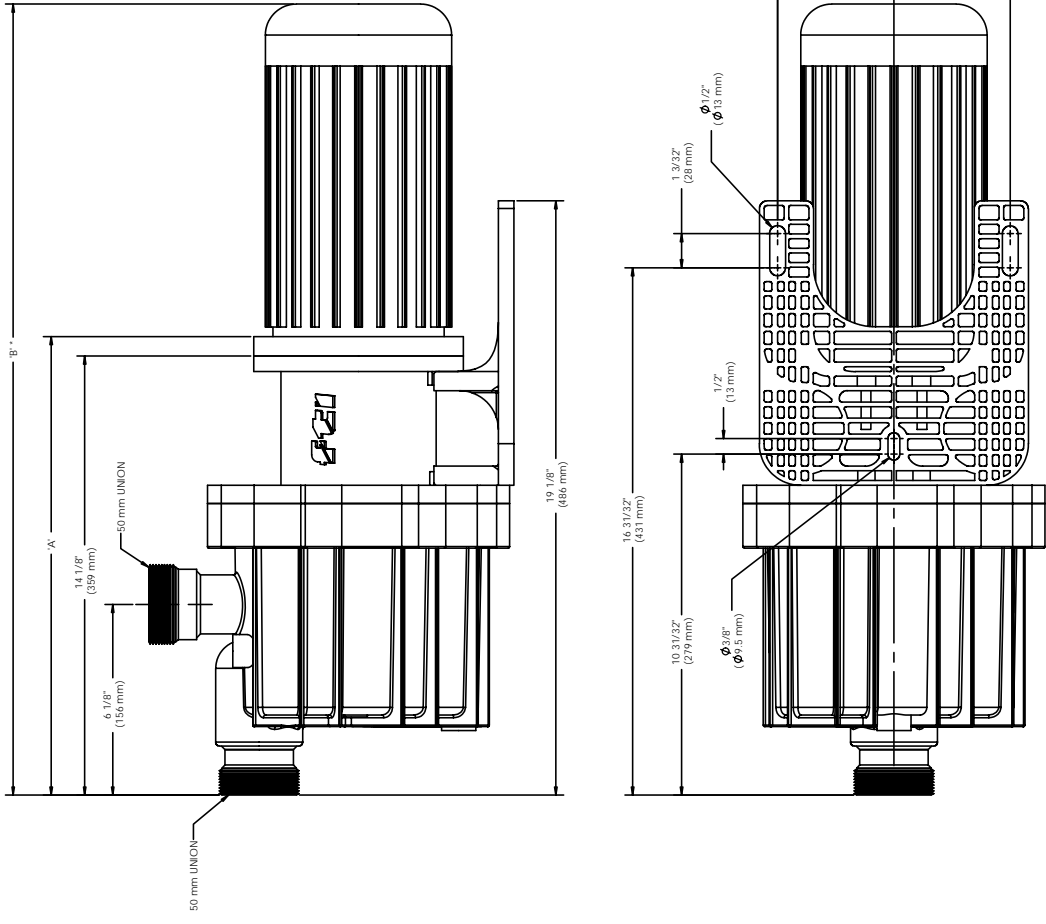
DATE	SCALE	PROJECT

NO.	DESCRIPTION	DATE

REV	DESCRIPTION	DATE	APPROV	TRACK

SP11/15 Outline Dimensions
 Union Housing - R100438

REV	DESCRIPTION	DATE	APPROVED	TRACK



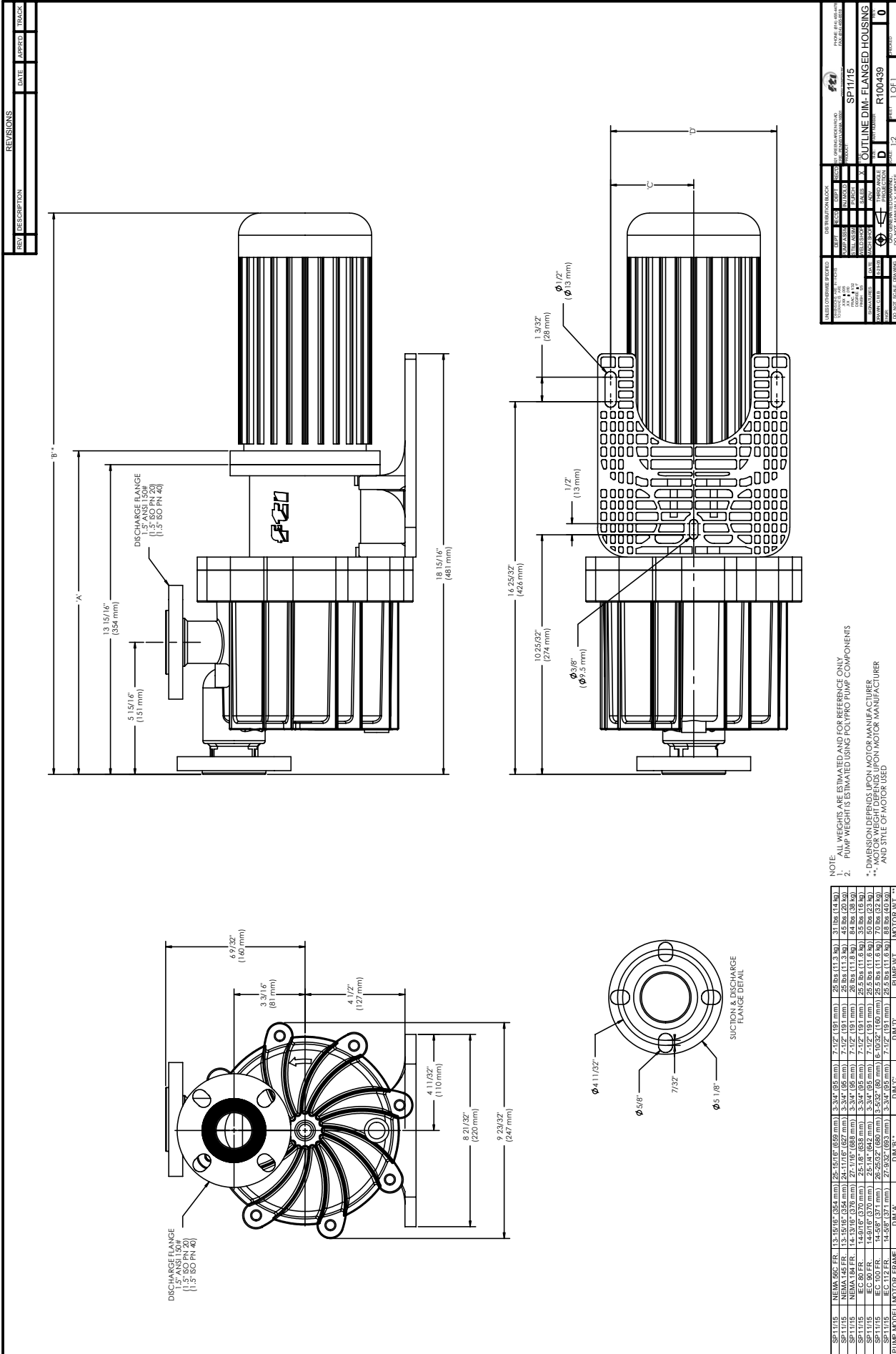
UNITS		DESCRIPTION		REVISIONS	
INCHES	MM	DATE	BY	NO.	DESCRIPTION

UNITS		DESCRIPTION		REVISIONS	
INCHES	MM	DATE	BY	NO.	DESCRIPTION

NOTE:
 1. ALL WEIGHTS ARE ESTIMATED AND FOR REFERENCE ONLY.
 2. PUMP WEIGHT IS ESTIMATED USING POLYPRO PUMP COMPONENTS.
 * DIMENSIONS DEPEND UPON MOTOR MANUFACTURER.
 ** MOTOR WEIGHT DEPENDS UPON MOTOR MANUFACTURER AND STYLE OF MOTOR USED.

PUMP MODEL	MOTOR FRAME	DM A	DM B*	DM C	DM D	PUMP WT.	MOTOR WT.**
SP11/15	NEVA 56C FR	14.1/8" (359 mm)	26.7/8" (682 mm)	3.3/4" (95 mm)	7.1/2" (191 mm)	25 lbs (11.3 kg)	31 lbs (14.1 kg)
SP11/15	NEVA 56E FR	14.1/8" (359 mm)	26.7/8" (682 mm)	3.3/4" (95 mm)	7.1/2" (191 mm)	25 lbs (11.3 kg)	48 lbs (22 kg)
SP11/15	NEVA 56A FR	15.5/32" (398 mm)	27.1/4" (692 mm)	3.3/4" (95 mm)	7.1/2" (191 mm)	26 lbs (11.8 kg)	84 lbs (38 kg)
SP11/15	EC 80T FR	14.3/4" (375 mm)	26.9/32" (684 mm)	3.3/4" (95 mm)	7.1/2" (191 mm)	25.5 lbs (11.6 kg)	86 lbs (39 kg)
SP11/15	EC 100 FR	14.13/16" (376 mm)	26.31/32" (665 mm)	3.5/32" (90 mm)	8.1/32" (160 mm)	25.5 lbs (11.6 kg)	70 lbs (32 kg)
SP11/15	EC 112 FR	15.13/16" (393 mm)	27.15/32" (698 mm)	3.3/4" (95 mm)	7.1/2" (191 mm)	25.5 lbs (11.6 kg)	88 lbs (40 kg)

SP11/15 Outline Dimensions
Flanged Housing - R100439



REV	DESCRIPTION	DATE	APPROVED	TRACK

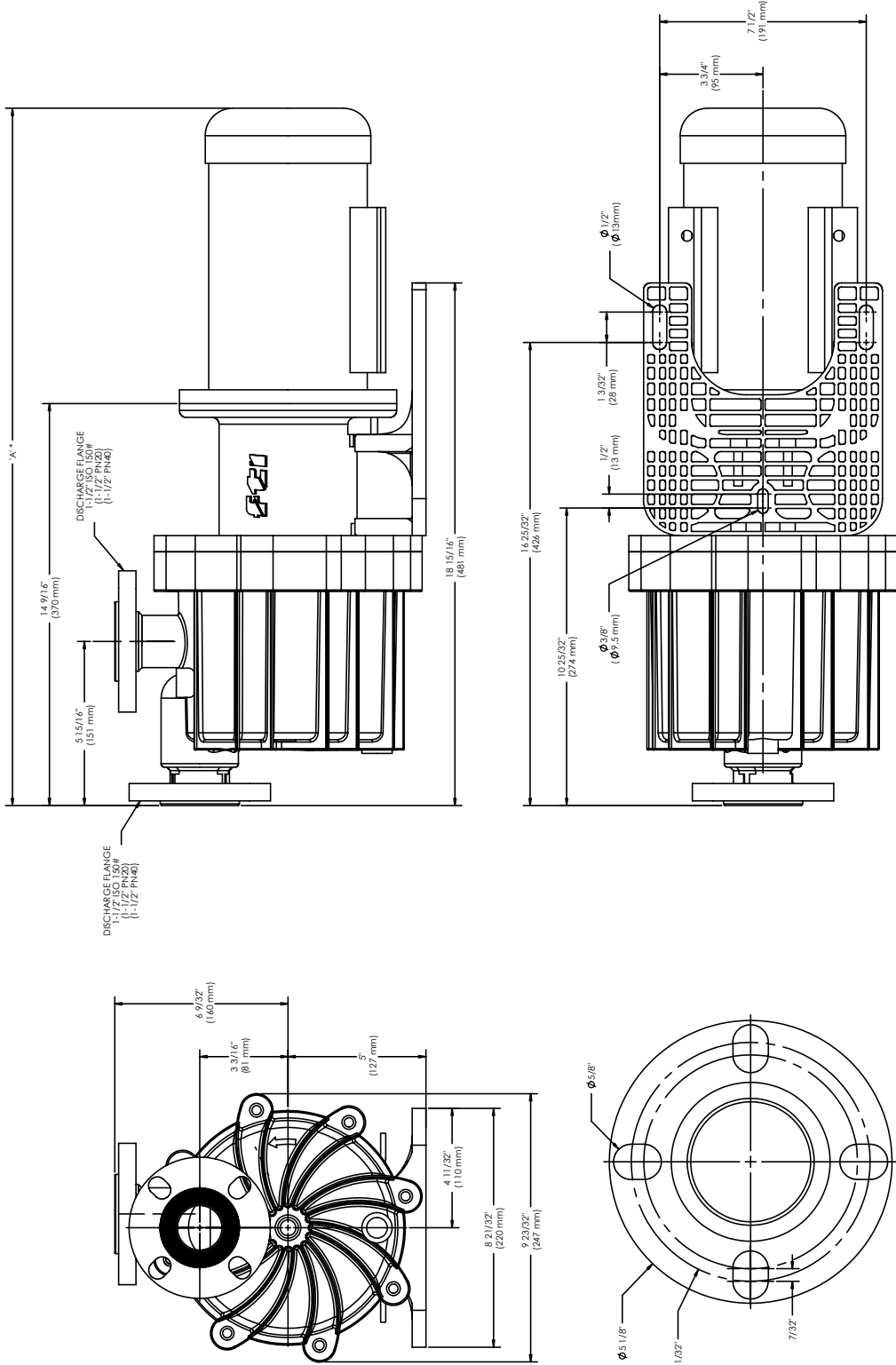
MATERIALS IDENTIFIED		DISTRIBUTION BLOCK		REVISED		DATE		BY		REASON FOR CHANGE	

NOTE:
 1. ALL WEIGHTS ARE ESTIMATED AND FOR REFERENCE ONLY
 2. PUMP WEIGHT IS ESTIMATED USING POLYPRO PUMP COMPONENTS
 * DIMENSION DEPENDS UPON MOTOR MANUFACTURER
 ** MOTOR WEIGHT DEPENDS UPON MOTOR MANUFACTURER
 AND STYLE OF MOTOR USED

PUMP MODEL	MOTOR FRAME	DM1A	DM1B	DM1C	DM1D	PUMP WT	MOTOR WT
SP11/15	NEMA 56C FR	13-15/16" (354 mm)	25-51/16" (650 mm)	3-3/4" (95 mm)	7-1/2" (191 mm)	25 lbs (11.3 kg)	31 lbs (14.1 kg)
SP11/15	NEMA 145 FR	13-15/16" (354 mm)	24-11/16" (627 mm)	3-3/4" (95 mm)	7-1/2" (191 mm)	25 lbs (11.3 kg)	45 lbs (20.4 kg)
SP11/15	NEMA 184 FR	14-1/16" (376 mm)	27-1/16" (688 mm)	3-3/4" (95 mm)	7-1/2" (191 mm)	26 lbs (11.8 kg)	84 lbs (38.1 kg)
SP11/15	E.C. 80 FR	14-5/16" (370 mm)	25-1/8" (638 mm)	3-3/4" (95 mm)	7-1/2" (191 mm)	25.5 lbs (11.6 kg)	25 lbs (11.3 kg)
SP11/15	E.C. 100 FR	14-5/16" (370 mm)	26-23/32" (680 mm)	3-23/32" (95 mm)	7-1/2" (191 mm)	25.5 lbs (11.6 kg)	70 lbs (31.8 kg)
SP11/15	E.C. 112 FR	14-5/16" (370 mm)	27-9/32" (693 mm)	3-3/4" (95 mm)	7-1/2" (191 mm)	25.5 lbs (11.6 kg)	83 lbs (40.5 kg)

SP11/15 Outline Dimensions
80/90 B5, Flanged Housing, R100467

REV	DESCRIPTION	DATE	APPROVED	TRACK



(CAN BE ROTATED TO FIT ANY BOLTING CONFIGURATION)

NOTE:
1. ALL WEIGHTS ARE ESTIMATED AND FOR REFERENCE ONLY.
2. PUMP WEIGHT IS ESTIMATED USING POLYPRO PUMP COMPONENTS.
3. DIMENSION DEPENDS UPON MOTOR MANUFACTURER.
4. MOTOR WEIGHT DEPENDS UPON MOTOR MANUFACTURER AND STYLE OF MOTOR USED.

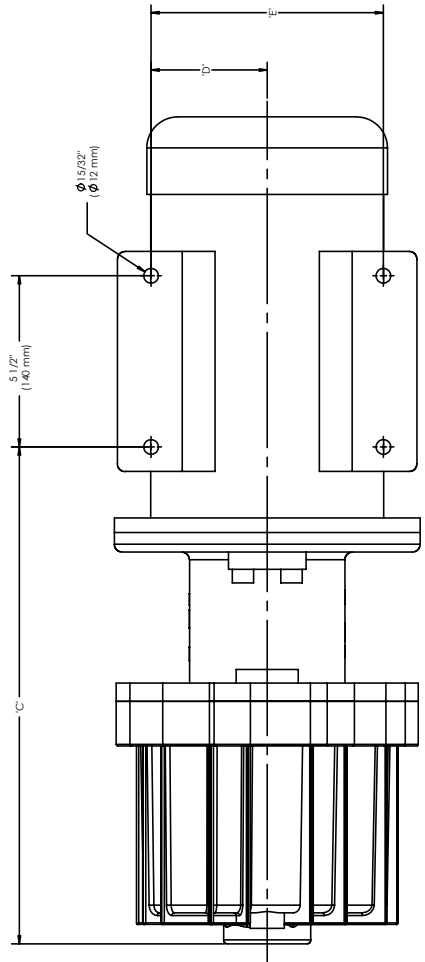
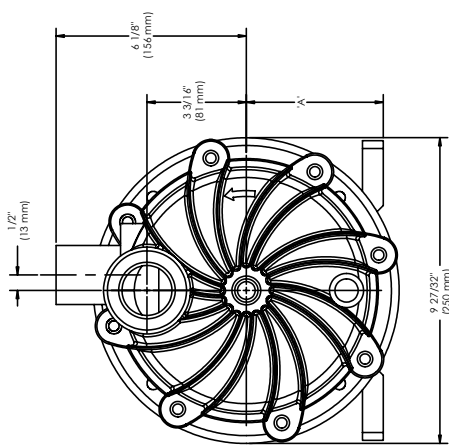
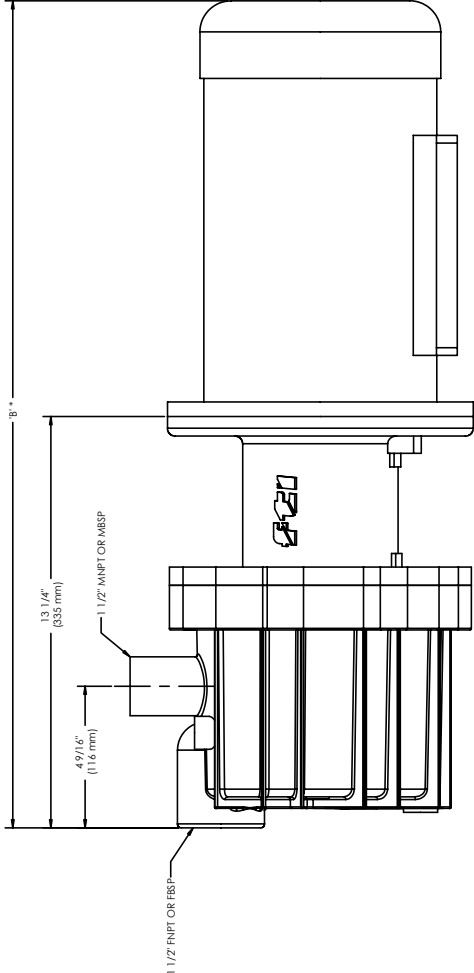
PUMP MODEL	MOTOR FRAME	DIM A	PUMP WT	MOTOR WT	TOTAL WT
SP11/15	IEC 80 FR B5 FLANGE	24-3/16" (614 mm)	28.5 lbs (12.9 kg)	35 lbs (16 kg)	63.5 lbs (28.9 kg)
SP11/15	IEC 90 FR B5 FLANGE	25-9/32" (642 mm)	28.5 lbs (12.9 kg)	50 lbs (23 kg)	78.5 lbs (35.6 kg)

DESIGNATION BLOCK	REVISION	DATE	BY	CHKD	APP'D

SP11/15-80/90 B5
OUTLINE DIM.-FLANGED HSG
R100467
1 OF 1

SP11/15 Outline Dimensions
100/112 B5, R100469

REV	DESCRIPTION	DATE	APPROV	TRACK



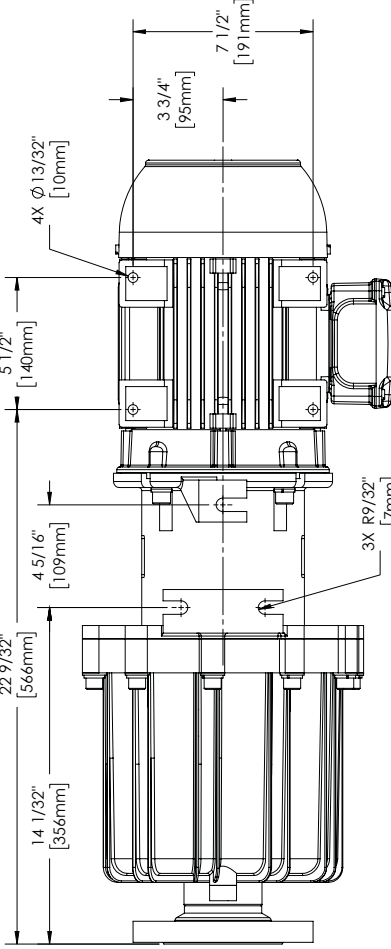
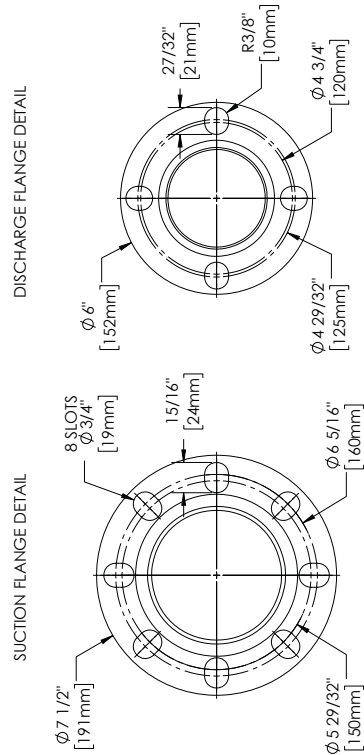
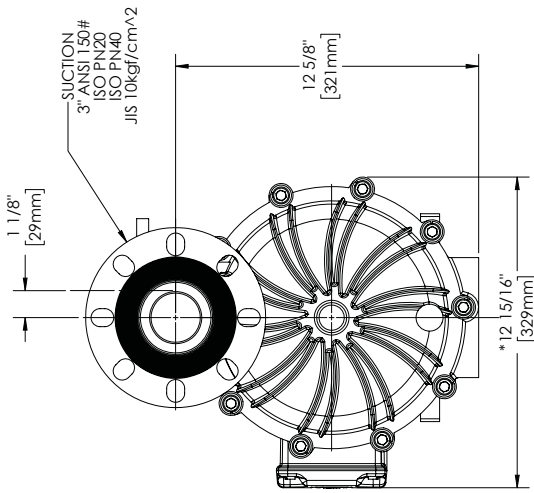
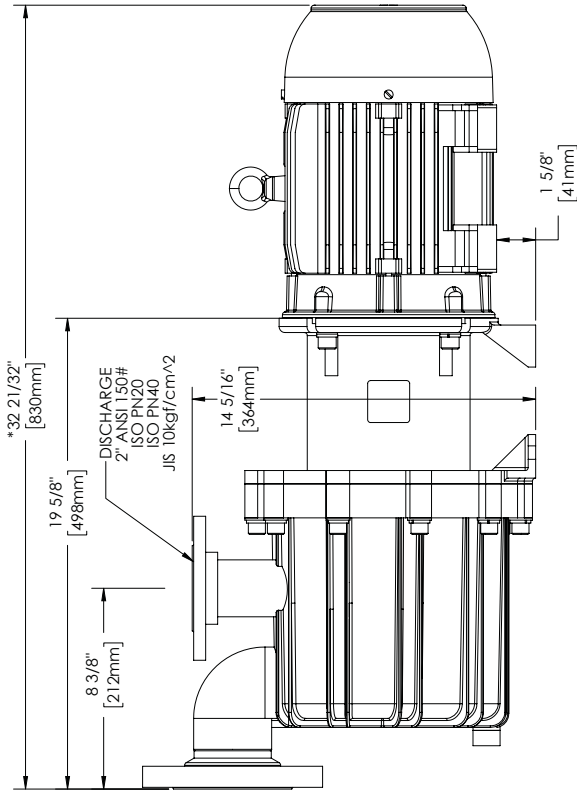
NOTE: 1. WEIGHTS ARE ESTIMATED AND FOR REFERENCE ONLY.
2. PUMP WEIGHT IS ESTIMATED USING POLYPRO PUMP COMPONENTS.
* DIMENSION DEPENDS UPON MOTOR MANUFACTURER.
** MOTOR WEIGHT DEPENDS UPON MOTOR MANUFACTURER AND STYLE OF MOTOR USED.

PUMP MODEL	MOTOR FRAME	DIM 'A'	DIM 'B'	DIM 'C'	DIM 'D'	DIM 'E'	PUMP WT	MOTOR WT**
SP11/15	100 FR. B5 FLANGE	3-15/16" (100 mm)	27-5/32" (690 mm)	15-17/32" (394 mm)	3-5/32" (80 mm)	6-9/32" (160 mm)	31.5 lbs (14.3 kg)	7.1 lbs (32 kg)
SP11/15	112 FR. B5 FLANGE	4-13/32" (112 mm)	28-1/32" (712 mm)	17-3/8" (441 mm)	3-3/4" (95 mm)	7-1/2" (190 mm)	31.5 lbs (14.3 kg)	8.8 lbs (40 kg)

		POLYPRO PUMP 1000 WILSON AVENUE WILSON, NJ 07094	
DISTRIBUTION BLOCK MODEL NO. 1000 SERIAL NO. 1000	DRAWING NO. 1000 REV. 1000	TITLE OUTLINE DIM. - 100/112 B5	PART NO. R100469
PUMP MODEL: 100/112 B5		MOTOR FRAME: B5	
DIMENSION: 100/112 B5		WEIGHT: 31.5 LBS (14.3 KG)	
MANUFACTURER: POLYPRO		DATE: 10/12/00	
DRAWN BY: D		CHECKED BY: D	
APPROVED BY: D		DATE: 10/12/00	
SCALE: AS SHOWN		SHEET NO. 1 OF 1	

REVISIONS

REV	DESCRIPTION	DATE	APPRD	TRACK
1	ADDED FLANGE DETAIL	5/10/16	TDS	



UNLESS OTHERWISE SPECIFIED		DISTRIBUTION BLOCK		DRAWING		TITLE		PART NUMBER		SCALE		SHEET	
INCHES	MILLIMETERS	DEPT	RECD	DEPT	RECD	DATE	REV	SIZE	REV	SCALE	SHEET	OF	REV
XXX 4 000	XXX 100	PUMP ASSM	INI MOLD	DEPT	RECD	XX-XX-XX	1	C	R101761	DNS	1	OF 1	1
FRAC 1 102	FRAC 1 102	STILL ASSM	PURCH	DEPT	RECD								
FINISH 1.25	FINISH 1.25	WELD SHOP	SALES	DEPT	RECD								
		MACH SHOP	ADV	DEPT	RECD								
			THIRD ANGLE PROJECTION	DEPT	RECD								
			DO NOT MANUALLY UPDATE	DEPT	RECD								

TITLE: SP32 W/184TC MOTOR
 PART NUMBER: R101761
 SCALE: DNS
 SHEET: 1 OF 1
 CHECKED: