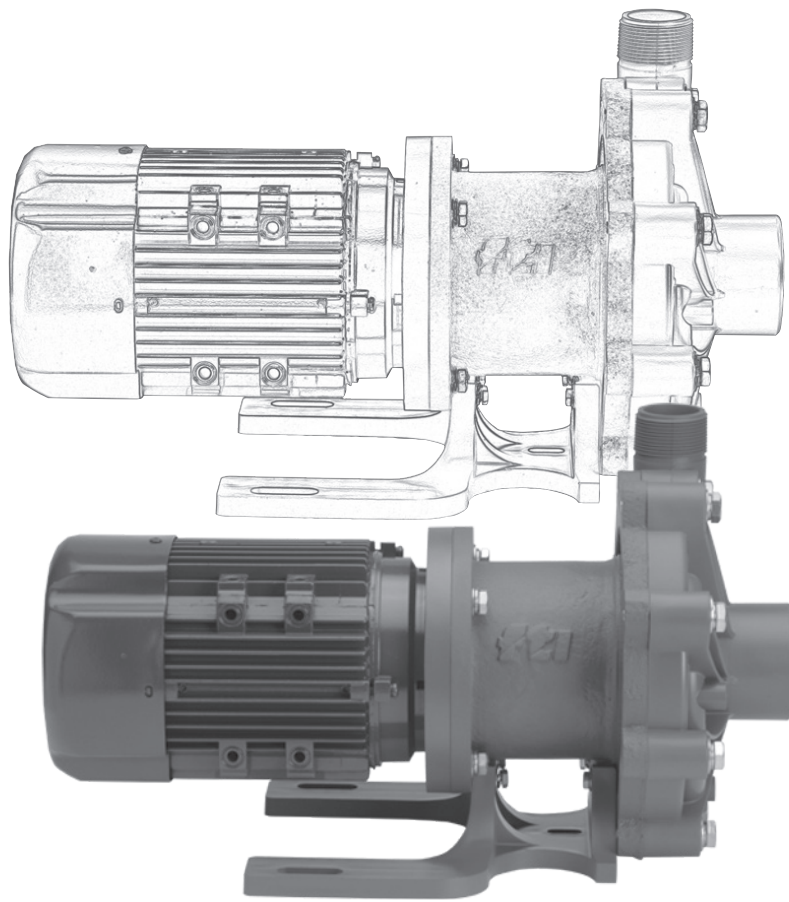


DB SERIES OUTLINE DIMENSIONS

Literature ID No. FT06-930
Revision 4



FINISH THOMPSON INC.

921 Greengarden Road • Erie, PA 16501-1591 U.S.A.
Ph 814-455-4478 • Fax 814-455-8518
Email fti@finishthompson.com • www.finishthompson.com

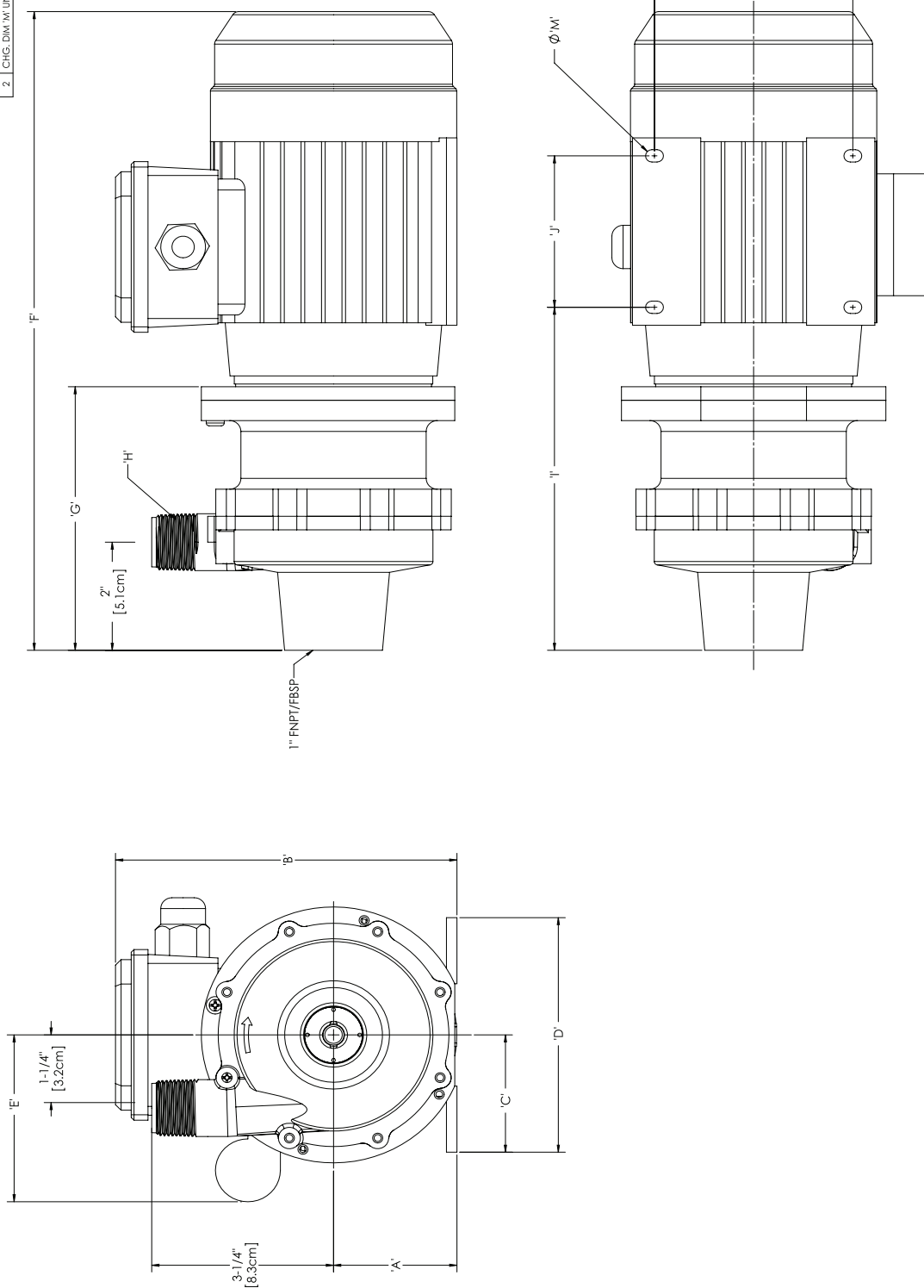
10/23/12

TABLE OF CONTENTS

Drawing	Page No.
DB3/4/5/5.5 Outline Dimensions	3
DB6/6H/9 Outline Dimensions	
Threaded.....	4
Union.....	5
Flanged	6
DB8 Outline Dimensions	
Threaded.....	7
Union.....	8
Flanged	9
DB7/10 Outline Dimensions	
Threaded.....	10
Union.....	11
Flanged	12
DB11/15 Outline Dimensions	
Threaded.....	13
Union.....	14
Flanged	15
DB11/15 Outline Dimensions 80/90 FR B5	
Threaded.....	16
Union.....	17
Flanged	18
DB11/15 Outline Dimensions 100/112 FR B5	
Threaded.....	19
Union.....	20
Flanged	21
DB22 Outline Dimensions	
Threaded.....	22
Union.....	23
Flanged	24

DB3/4/5/5.5 Outline Dimensions - Threaded Housing (R100531)

REVISIONS			
REV	DESCRIPTION	DATE	APPROD TRACK
1	UPDATED MOTOR DIMS. ADDED DB5.5 AND 7 FR.	9/14/10	DAC 3387
2	CHG. DIM 'M' UNITS FROM CM TO MM.	1/17/11	DAC 3460

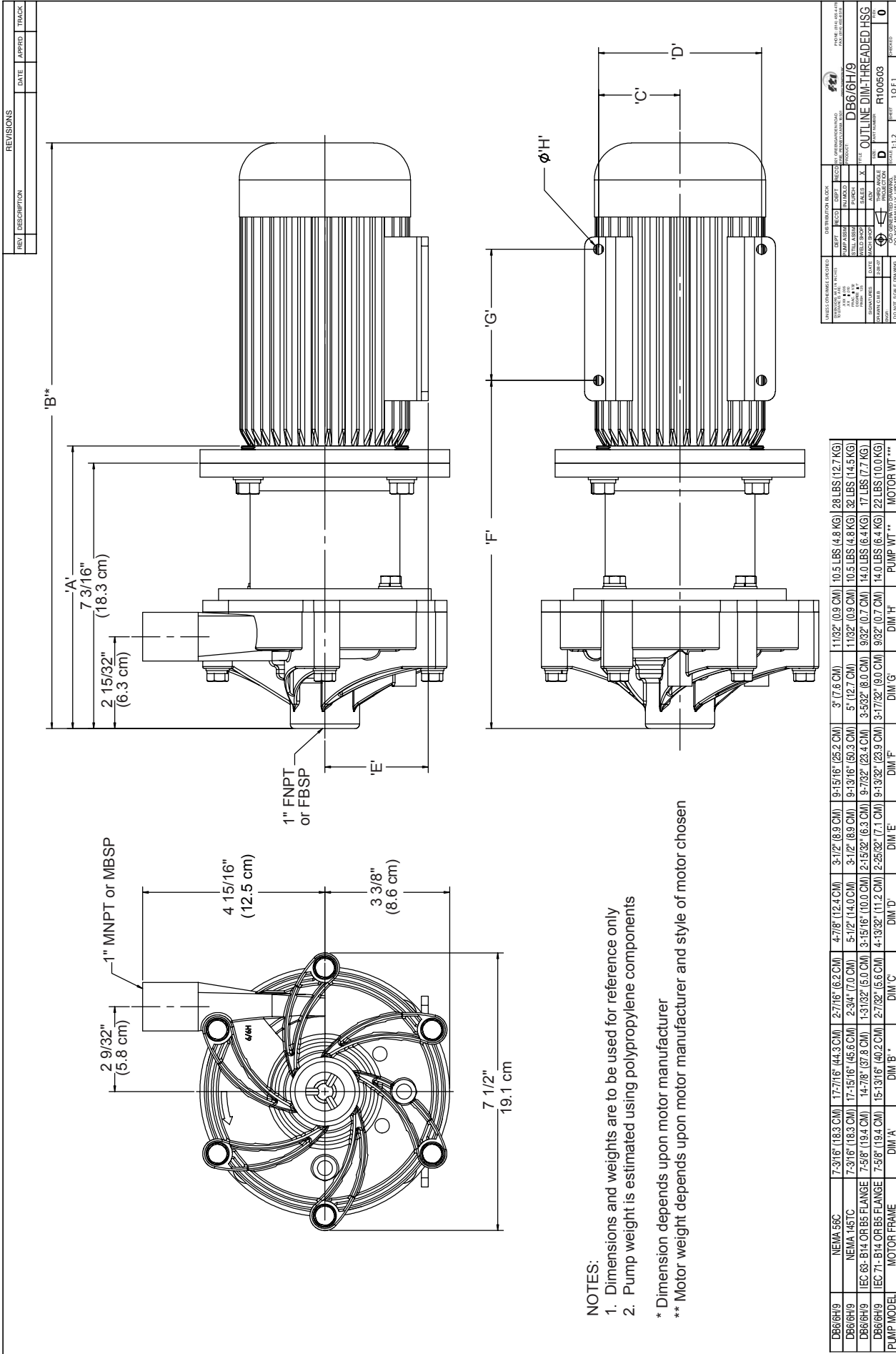


NOTE: DIMENSIONS ARE TO BE USED FOR REFERENCE ONLY

MATERIALS SPECIFICATIONS		DESIGNATION BLOCK		DESIGNATION		REV	
CAST IRON	STAINLESS STEEL	ITEM NO.	QUANTITY	DESCRIPTION	REV	DATE	BY
WATER MOTOR HOUSING	WATER MOTOR HOUSING	DB3/4/5/5.5	1	OUTLINE DIMENSIONAL	1		
WATER MOTOR HOUSING	WATER MOTOR HOUSING	DB3/4/5/5.5	1	OUTLINE DIMENSIONAL	2		
WATER MOTOR HOUSING	WATER MOTOR HOUSING	DB3/4/5/5.5	1	OUTLINE DIMENSIONAL	2		

MODEL	1"	1.5"	2"	3"	3.5"	4"	5"	5.5"	7"	8"	9"	10"	11"	12"	14"	16"	18"	20"	22"	24"	26"	28"	30"			
DB3	3.7622 (9.6CM)	5.8875 (14.9CM)	8.0128 (20.5CM)	10.1381 (25.8CM)	12.2634 (31.1CM)	14.3887 (36.4CM)	16.5140 (41.9CM)	18.6393 (47.4CM)	20.7646 (52.9CM)	22.8899 (58.4CM)	25.0152 (63.9CM)	27.1405 (69.4CM)	29.2658 (74.9CM)	31.3911 (80.4CM)	33.5164 (85.9CM)	35.6417 (91.4CM)	37.7672 (96.0CM)	39.8925 (101.5CM)	42.0178 (107.0CM)	44.1431 (112.5CM)	46.2684 (118.0CM)	48.3937 (123.5CM)	50.5190 (129.0CM)	52.6443 (134.5CM)		
DB4	2.6222 (6.6CM)	3.9375 (10.0CM)	5.2528 (13.4CM)	6.5681 (16.8CM)	7.8834 (20.2CM)	9.1987 (23.6CM)	10.5140 (27.0CM)	11.8293 (30.4CM)	13.1446 (33.8CM)	14.4599 (37.2CM)	15.7752 (40.6CM)	17.0905 (43.9CM)	18.4058 (47.3CM)	19.7211 (50.7CM)	21.0364 (54.1CM)	22.3517 (57.5CM)	23.6670 (60.9CM)	24.9823 (64.3CM)	26.2976 (68.7CM)	27.6229 (71.1CM)	28.9382 (75.9CM)	30.1935 (80.1CM)	31.7638 (83.9CM)	33.3891 (87.5CM)	35.5844 (92.5CM)	
DB5	3.7622 (9.6CM)	5.8875 (14.9CM)	8.0128 (20.5CM)	10.1381 (25.8CM)	12.2634 (31.1CM)	14.3887 (36.4CM)	16.5140 (41.9CM)	18.6393 (47.4CM)	20.7646 (52.9CM)	22.8899 (58.4CM)	25.0152 (63.9CM)	27.1405 (69.4CM)	29.2658 (74.9CM)	31.3911 (80.4CM)	33.5164 (85.9CM)	35.6417 (91.4CM)	37.7672 (96.0CM)	39.8925 (101.5CM)	42.0178 (107.0CM)	44.1431 (112.5CM)	46.2684 (118.0CM)	48.3937 (123.5CM)	50.5190 (129.0CM)	52.6443 (134.5CM)	54.7696 (140.0CM)	56.8949 (145.5CM)
DB5.5	3.7622 (9.6CM)	5.8875 (14.9CM)	8.0128 (20.5CM)	10.1381 (25.8CM)	12.2634 (31.1CM)	14.3887 (36.4CM)	16.5140 (41.9CM)	18.6393 (47.4CM)	20.7646 (52.9CM)	22.8899 (58.4CM)	25.0152 (63.9CM)	27.1405 (69.4CM)	29.2658 (74.9CM)	31.3911 (80.4CM)	33.5164 (85.9CM)	35.6417 (91.4CM)	37.7672 (96.0CM)	39.8925 (101.5CM)	42.0178 (107.0CM)	44.1431 (112.5CM)	46.2684 (118.0CM)	48.3937 (123.5CM)	50.5190 (129.0CM)	52.6443 (134.5CM)	54.7696 (140.0CM)	56.8949 (145.5CM)
MOTOR	3.7622 (9.6CM)	5.8875 (14.9CM)	8.0128 (20.5CM)	10.1381 (25.8CM)	12.2634 (31.1CM)	14.3887 (36.4CM)	16.5140 (41.9CM)	18.6393 (47.4CM)	20.7646 (52.9CM)	22.8899 (58.4CM)	25.0152 (63.9CM)	27.1405 (69.4CM)	29.2658 (74.9CM)	31.3911 (80.4CM)	33.5164 (85.9CM)	35.6417 (91.4CM)	37.7672 (96.0CM)	39.8925 (101.5CM)	42.0178 (107.0CM)	44.1431 (112.5CM)	46.2684 (118.0CM)	48.3937 (123.5CM)	50.5190 (129.0CM)	52.6443 (134.5CM)	54.7696 (140.0CM)	56.8949 (145.5CM)
PUMP	3.7622 (9.6CM)	5.8875 (14.9CM)	8.0128 (20.5CM)	10.1381 (25.8CM)	12.2634 (31.1CM)	14.3887 (36.4CM)	16.5140 (41.9CM)	18.6393 (47.4CM)	20.7646 (52.9CM)	22.8899 (58.4CM)	25.0152 (63.9CM)	27.1405 (69.4CM)	29.2658 (74.9CM)	31.3911 (80.4CM)	33.5164 (85.9CM)	35.6417 (91.4CM)	37.7672 (96.0CM)	39.8925 (101.5CM)	42.0178 (107.0CM)	44.1431 (112.5CM)	46.2684 (118.0CM)	48.3937 (123.5CM)	50.5190 (129.0CM)	52.6443 (134.5CM)	54.7696 (140.0CM)	56.8949 (145.5CM)
WGT	0.27 (0.61KG)	0.41 (0.90KG)	0.55 (1.21KG)	0.70 (1.54KG)	0.85 (1.87KG)	1.00 (2.20KG)	1.15 (2.53KG)	1.30 (2.86KG)	1.45 (3.19KG)	1.60 (3.52KG)	1.75 (3.85KG)	1.90 (4.18KG)	2.05 (4.51KG)	2.20 (4.84KG)	2.35 (5.17KG)	2.50 (5.50KG)	2.65 (5.83KG)	2.80 (6.16KG)	2.95 (6.49KG)	3.10 (6.82KG)	3.25 (7.15KG)	3.40 (7.48KG)	3.55 (7.81KG)	3.70 (8.14KG)	3.85 (8.47KG)	4.00 (8.80KG)

DB6/6H/9 Outline Dimensions - Threaded Housing (R100503)



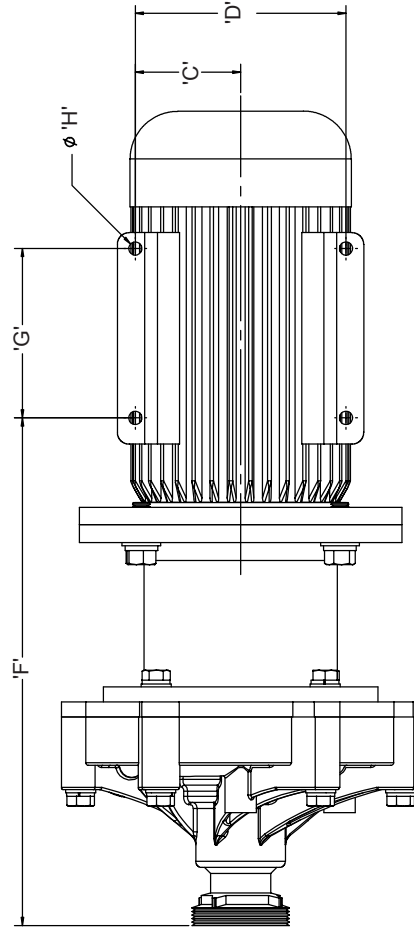
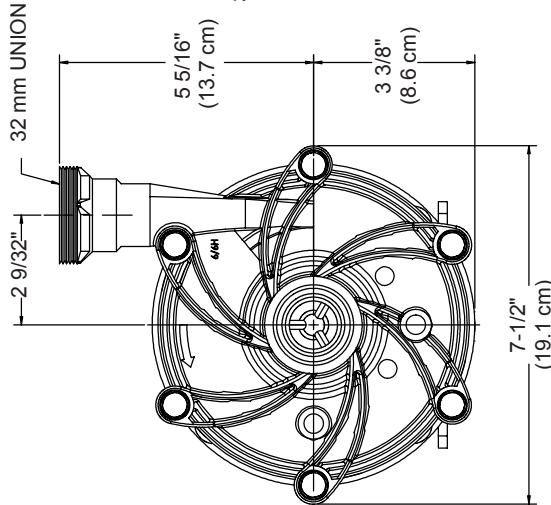
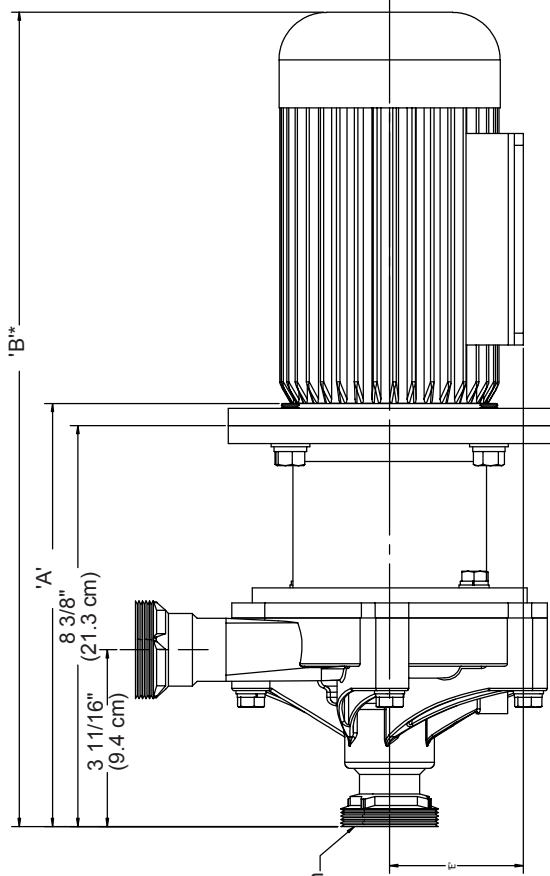
REV	DESCRIPTION	DATE	APPROD	TRACK

DESIGNATION		DESCRIPTION		DATE		REVISED	
DB6/6H/9	OUTLINE DIM-THREADED HSG						

PUMP MODEL	MOTOR FRAME	DIM 'A'	DIM 'B'	DIM 'C'	DIM 'D'	DIM 'E'	DIM 'F'	DIM 'G'	DIM 'H'	PUMP WT **	MOTOR WT **
DB66H9	NEMA 56C	7-31/16" (18.3 CM)	17-7/16" (44.3 CM)	2-7/16" (6.2 CM)	4-7/8" (12.4 CM)	3-1/2" (8.9 CM)	9-15/16" (25.2 CM)	3" (7.6 CM)	11/32" (0.9 CM)	10.5 LBS (4.8 KG)	28 LBS (12.7 KG)
DB66H9	NEMA 48TC	7-31/16" (18.3 CM)	17-15/16" (45.6 CM)	2-3/4" (7.0 CM)	5-1/2" (14.0 CM)	3-1/2" (8.9 CM)	9-13/16" (23.3 CM)	5" (12.7 CM)	11/32" (0.9 CM)	10.5 LBS (4.8 KG)	32 LBS (14.5 KG)
DB66H9	IEC 63-B14 OR B5 FLANGE	7-3/8" (19.4 CM)	14-7/8" (37.8 CM)	1-31/32" (5.0 CM)	3-15/16" (10.0 CM)	2-15/32" (6.3 CM)	9-1/32" (23.4 CM)	9-1/32" (0.7 CM)	9/32" (0.7 CM)	14.0 LBS (6.4 KG)	17 LBS (7.7 KG)
DB66H9	IEC 71-B14 OR B5 FLANGE	7-5/8" (19.4 CM)	15-1/31/16" (40.2 CM)	2-7/32" (5.6 CM)	4-19/32" (11.2 CM)	2-25/32" (7.1 CM)	8-13/32" (23.9 CM)	3-17/32" (9.0 CM)	9/32" (0.7 CM)	14.0 LBS (6.4 KG)	22 LBS (10.0 KG)

DB6/6H/9 Outline Dimensions - Union Housing (R100504)

REV	DESCRIPTION	DATE	APP'D	TRKCD



NOTES:
 1. DIMENSIONS AND WEIGHTS ARE TO BE USED FOR REFERENCE ONLY.
 2. PUMP WEIGHT IS ESTIMATED USING POLYPROPYLENE PUMP COMPONENTS.
 * DIMENSION DEPENDS UPON MOTOR MANUFACTURER
 **MOTOR WEIGHT DEPENDS UPON MOTOR MANUFACTURER AND STYLE OF MOTOR CHOSEN.

REV	DESCRIPTION	DATE	APP'D	TRKCD

PUMP MODEL	MOTOR FRAME	DIM 'A'	DIM 'B'	DIM 'C'	DIM 'D'	DIM 'E'	DIM 'F'	DIM 'G'	DIM 'H'	PUMP WT	MOTOR WT **
DB66H/9	NEMA 56C	8-3/8" (21.3 CM)	18-11/16" (47.5 CM)	2-7/16" (6.2 CM)	4-7/8" (12.4 CM)	3-1/2" (8.9 CM)	11-3/16" (28.4 CM)	3" (7.6 CM)	11/32" (0.9 CM)	10.5 LBS (4.8 KG)	28 LBS (12.7 KG)
DB66H/9	NEMA 145TC	8-3/8" (21.3 CM)	19-3/16" (48.7 CM)	2-3/4" (7.0 CM)	5-1/2" (14.0 CM)	3-1/2" (8.9 CM)	11-1/8" (28.3 CM)	5" (12.7 CM)	11/32" (0.9 CM)	10.5 LBS (4.8 KG)	32 LBS (14.5 KG)
DB66H/9	IEC 63-B14 OR B5 FLANGE	8-27/32" (22.5 CM)	16-1/8" (41.0 CM)	1-31/32" (5.0 CM)	3-15/16" (10.0 CM)	2-15/32" (6.3 CM)	10-45/32" (26.6 CM)	3-5/32" (6.0 CM)	9/32" (0.7 CM)	14.0 LBS (6.4 KG)	17 LBS (7.7 KG)
DB66H/9	IEC 71-B14 OR B5 FLANGE	8-27/32" (22.5 CM)	17-1/16" (43.3 CM)	2-7/32" (6.6 CM)	4-13/32" (11.2 CM)	2-25/32" (7.1 CM)	10-21/32" (27.1 CM)	3-17/32" (9.0 CM)	9/32" (0.7 CM)	14.0 LBS (6.4 KG)	22 LBS (10.0 KG)

REV	DESCRIPTION	DATE	APP'D	TRKCD

REV	DESCRIPTION	DATE	APP'D	TRKCD

REV	DESCRIPTION	DATE	APP'D	TRKCD

REV	DESCRIPTION	DATE	APP'D	TRKCD

REV	DESCRIPTION	DATE	APP'D	TRKCD

REV	DESCRIPTION	DATE	APP'D	TRKCD

REV	DESCRIPTION	DATE	APP'D	TRKCD

REV	DESCRIPTION	DATE	APP'D	TRKCD

REV	DESCRIPTION	DATE	APP'D	TRKCD

REV	DESCRIPTION	DATE	APP'D	TRKCD

REV	DESCRIPTION	DATE	APP'D	TRKCD

REV	DESCRIPTION	DATE	APP'D	TRKCD

REV	DESCRIPTION	DATE	APP'D	TRKCD

REV	DESCRIPTION	DATE	APP'D	TRKCD

REV	DESCRIPTION	DATE	APP'D	TRKCD

REV	DESCRIPTION	DATE	APP'D	TRKCD

REV	DESCRIPTION	DATE	APP'D	TRKCD

REV	DESCRIPTION	DATE	APP'D	TRKCD

REV	DESCRIPTION	DATE	APP'D	TRKCD

REV	DESCRIPTION	DATE	APP'D	TRKCD

REV	DESCRIPTION	DATE	APP'D	TRKCD

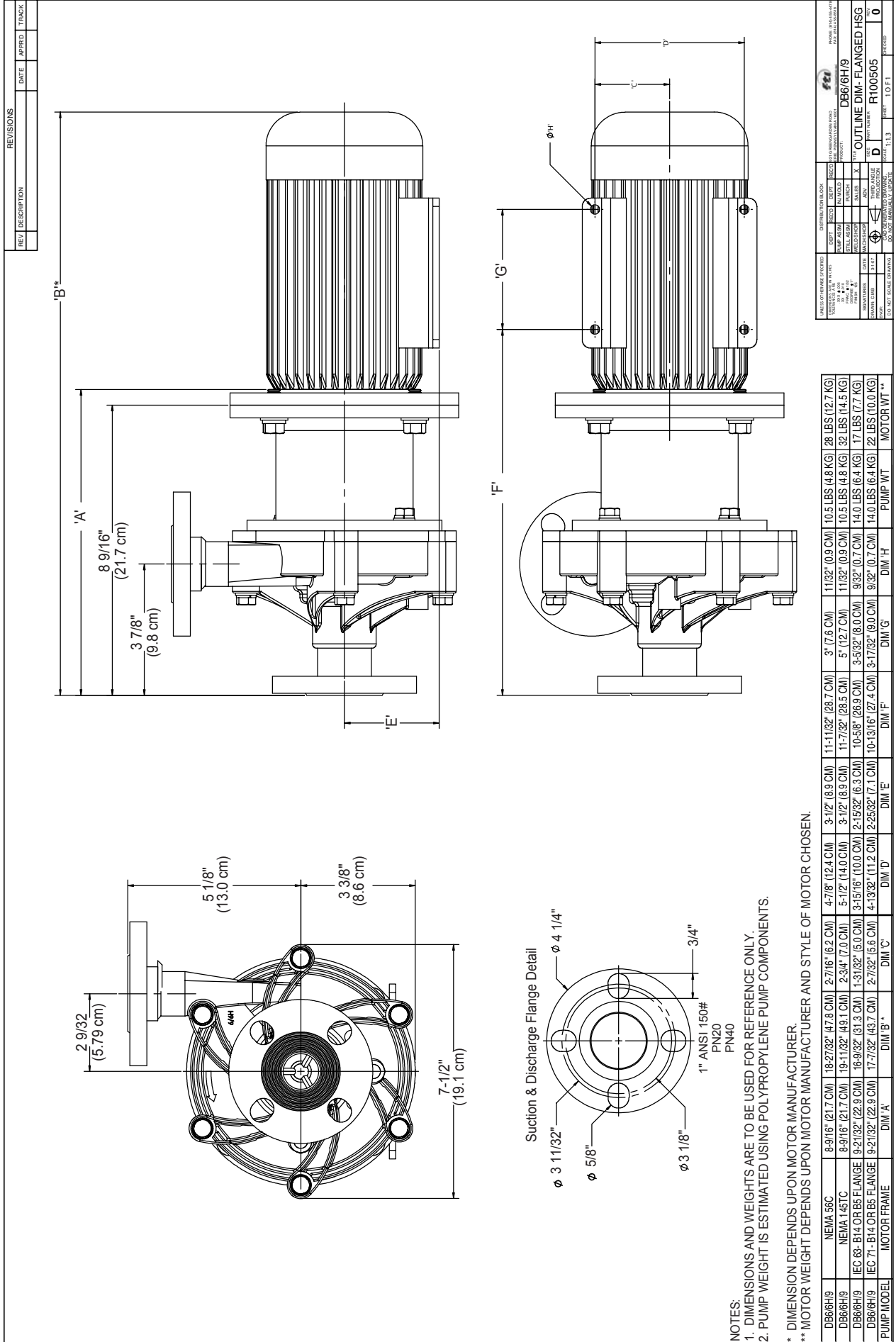
REV	DESCRIPTION	DATE	APP'D	TRKCD

REV	DESCRIPTION	DATE	APP'D	TRKCD

REV	DESCRIPTION	DATE	APP'D	TRKCD

REV	DESCRIPTION	DATE	APP'D	TRKCD

DB6/6H/9 Outline Dimensions - Flanged Housing (R100505)



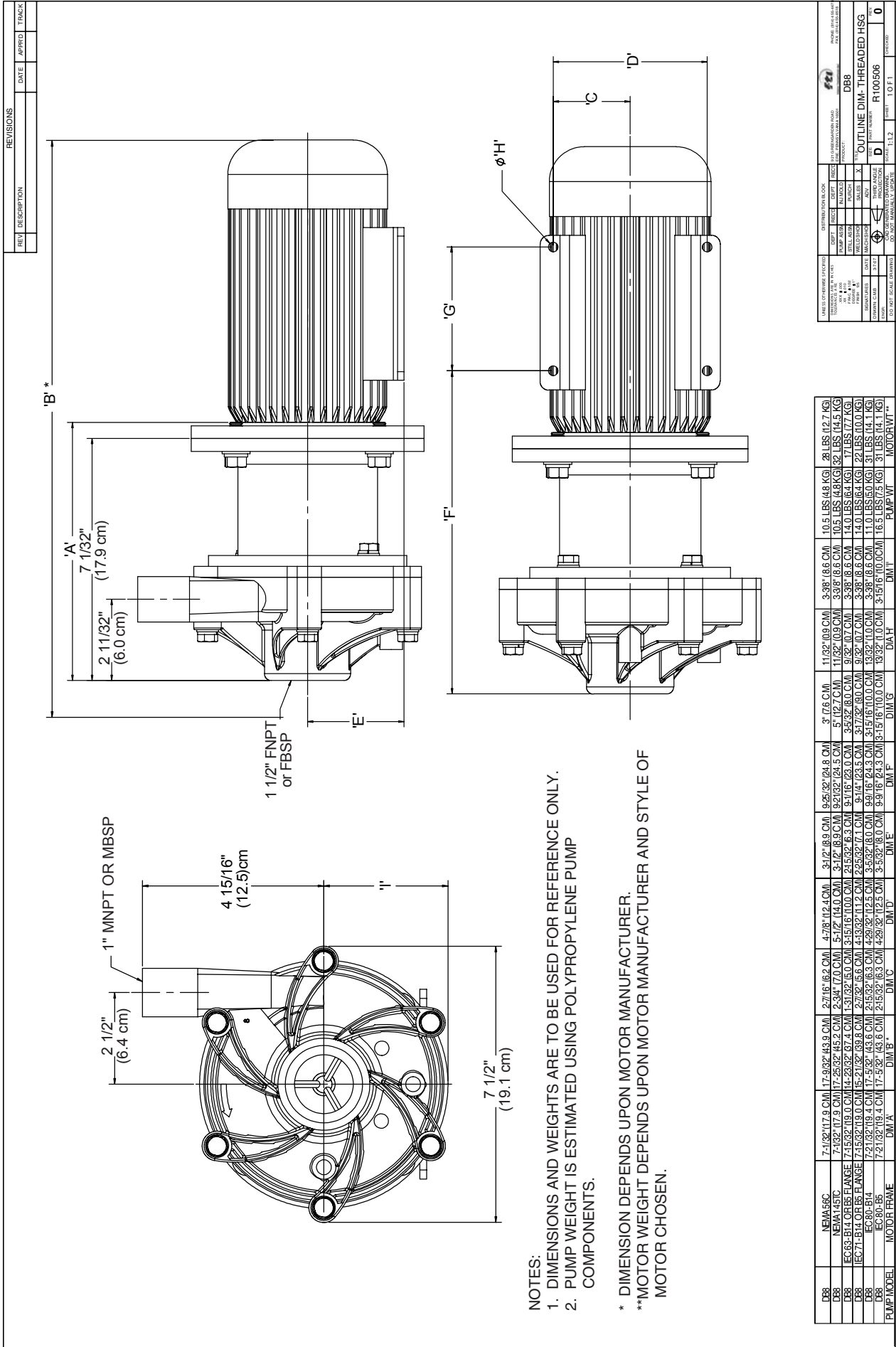
REV	DESCRIPTION	DATE	APPROV	TRACK

REVISED		DESIGN		CHECKED		DRAWN		DATE		BY		DATE		BY	

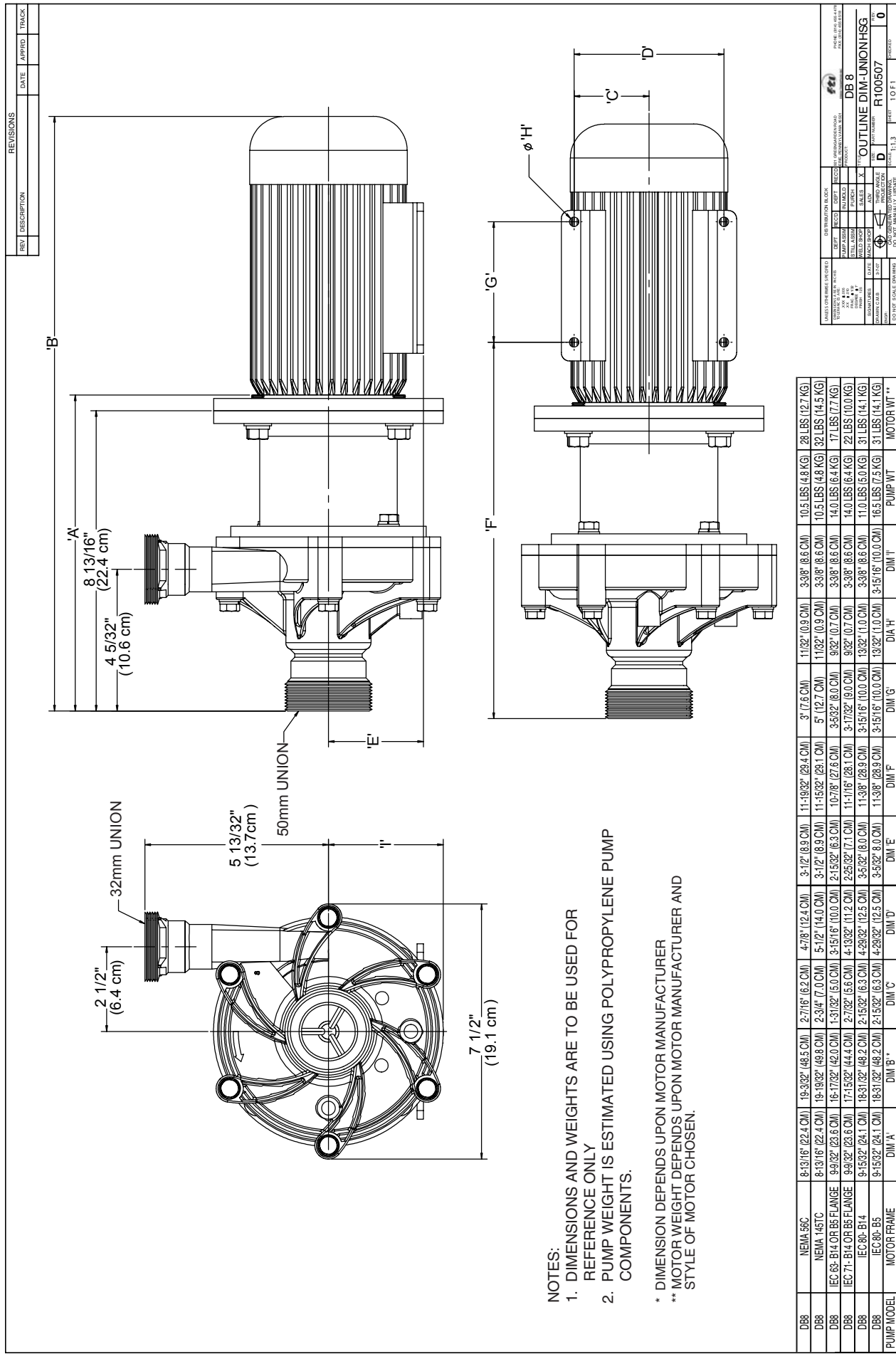
PUMP MODEL	MOTOR FRAME	DIM 'A'	DIM 'B'	DIM 'C'	DIM 'D'	DIM 'E'	DIM 'F'	DIM 'G'	DIM 'H'	PUMP WT	MOTOR WT **
DB6/6H9	NEMA 56C	8-9/16" (21.7 CM)	18-27/32" (47.8 CM)	2-7/16" (6.2 CM)	4-7/8" (12.4 CM)	3-1/2" (8.9 CM)	11-11/32" (28.7 CM)	3" (7.6 CM)	11/32" (0.9 CM)	10.5 LBS (4.8 KG)	28 LBS (12.7 KG)
DB6/6H9	NEMA 145TC	8-9/16" (21.7 CM)	19-11/32" (49.1 CM)	2-3/4" (7.0 CM)	5-1/2" (14.0 CM)	3-1/2" (8.9 CM)	11-7/32" (28.5 CM)	5" (12.7 CM)	11/32" (0.9 CM)	10.5 LBS (4.8 KG)	32 LBS (14.5 KG)
DB6/6H9	IEC 63-B14-OR-B5 FLANGE	9-21/32" (22.9 CM)	16-9/32" (41.3 CM)	1-31/32" (5.0 CM)	3-15/16" (10.0 CM)	2-15/32" (6.3 CM)	3-5/32" (8.0 CM)	9/32" (0.7 CM)	9/32" (0.7 CM)	14.0 LBS (6.4 KG)	17 LBS (7.7 KG)
DB6/6H9	IEC 71-B14-OR-B5 FLANGE	9-21/32" (22.9 CM)	17-7/32" (43.7 CM)	2-7/32" (5.6 CM)	4-13/32" (11.2 CM)	2-25/32" (7.1 CM)	10-13/16" (12.7 CM)	3-17/32" (9.0 CM)	9/32" (0.7 CM)	14.0 LBS (6.4 KG)	22 LBS (10.0 KG)

NOTES:
 1. DIMENSIONS AND WEIGHTS ARE TO BE USED FOR REFERENCE ONLY.
 2. PUMP WEIGHT IS ESTIMATED USING POLYPROPYLENE PUMP COMPONENTS.
 * DIMENSION DEPENDS UPON MOTOR MANUFACTURER.
 ** MOTOR WEIGHT DEPENDS UPON MOTOR MANUFACTURER AND STYLE OF MOTOR CHOSEN.

DB8 Outline Dimensions - Threaded Housing (R100506)



DB8 Outline Dimensions - Union Housing (R100507)

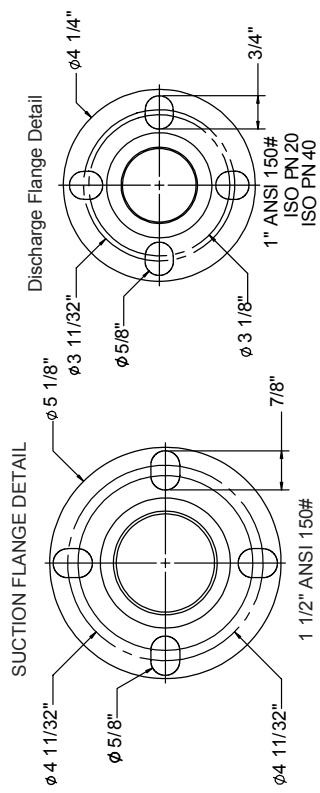
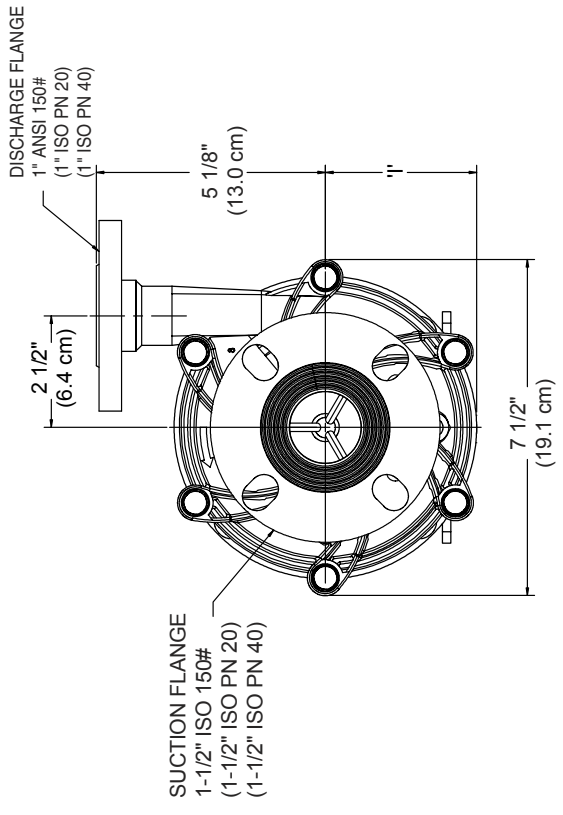
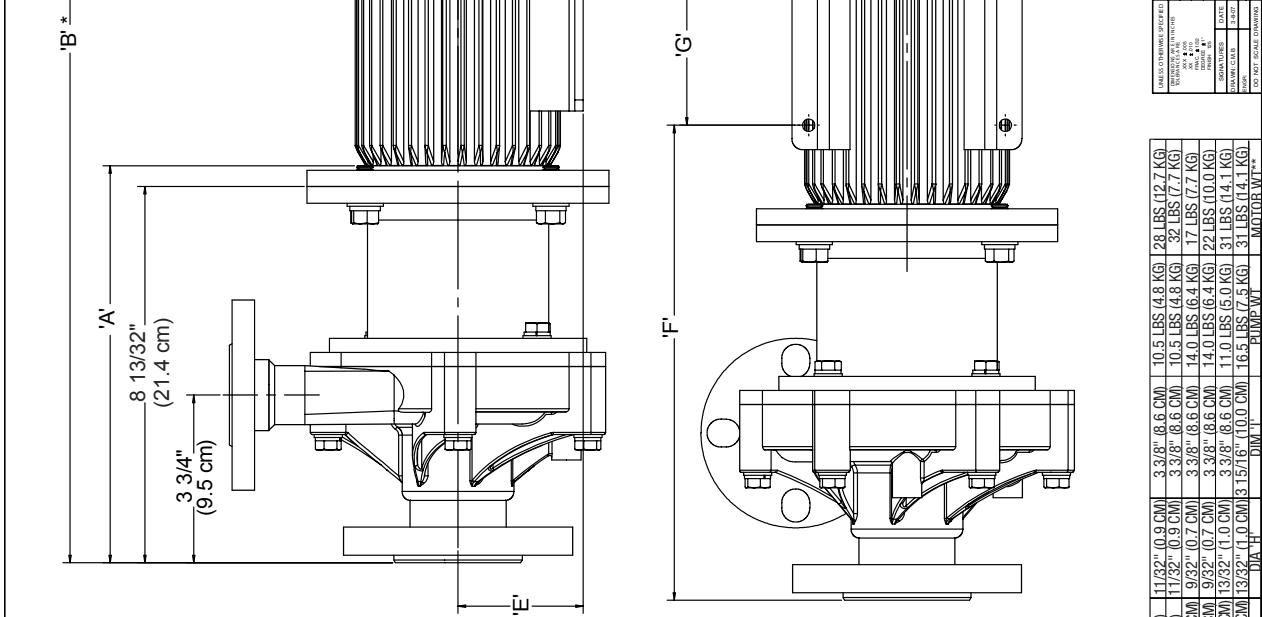


NOTES:
 1. DIMENSIONS AND WEIGHTS ARE TO BE USED FOR REFERENCE ONLY
 2. PUMP WEIGHT IS ESTIMATED USING POLYPROPYLENE PUMP COMPONENTS.
 * DIMENSION DEPENDS UPON MOTOR MANUFACTURER
 ** MOTOR WEIGHT DEPENDS UPON MOTOR MANUFACTURER AND STYLE OF MOTOR CHOSEN.

REVISIONS	REV	DESCRIPTION	DATE	APPROV	TRACK
UNITED STATES OF AMERICA NATIONAL BUREAU OF STANDARDS DRAWING BOARD DRAWING NO. DB 8 TITLE OUTLINE DIM-UNIONHSG SCALE X SHEET 1 OF 1 DATE 11/13/07 DRAWN BY R100507 CHECKED APPROVED DO NOT MANUALLY UPGRADE					

DB8 Outline Dimensions - Flange Housing (R100508)

REV	DESCRIPTION	DATE	APPRD	TRKCK



- NOTES:
- DIMENSIONS AND WEIGHTS ARE FOR REFERENCE ONLY.
 - PUMP WEIGHT IS ESTIMATED USING POLYPROPYLENE COMPONENTS.
 - DIMENSION DEPENDS UPON MOTOR MANUFACTURER.
- **MOTOR WEIGHT DEPENDS UPON MOTOR MANUFACTURER AND STYLE OF MOTOR CHOSEN.

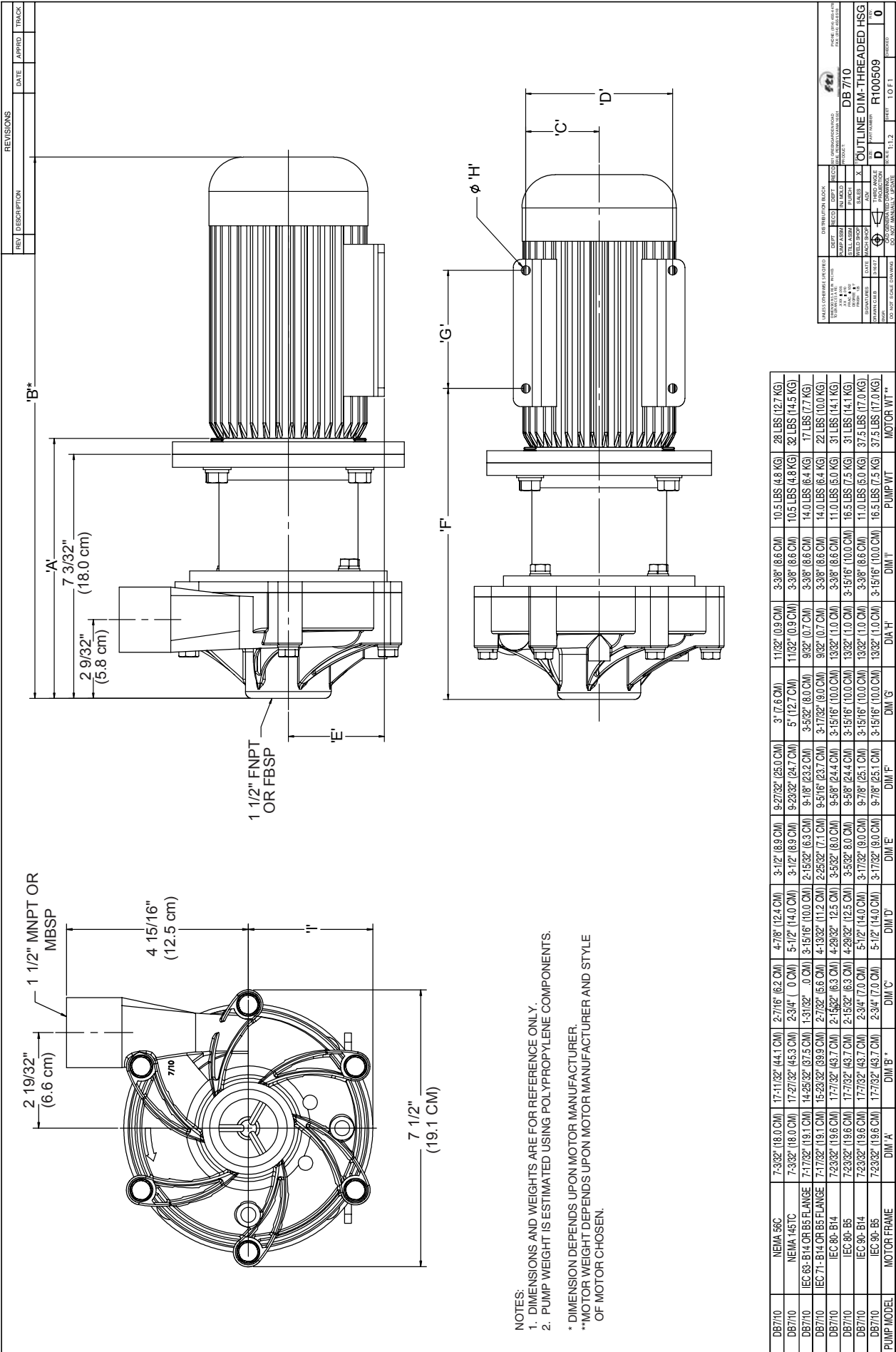
REVISIONS		DATE		APPRD		TRKCK	

DESIGN	DATE	SCALE	PROJECT	DESIGNER	DATE	SCALE	PROJECT	DESIGNER

DESIGN	DATE	SCALE	PROJECT	DESIGNER	DATE	SCALE	PROJECT	DESIGNER

MODEL	DISCHARGE FLANGE	SUCTION FLANGE	DISCHARGE FLANGE DETAIL	SUCTION FLANGE DETAIL	WEIGHT (LBS)	WEIGHT (KG)
DB8	1 1/2" ANSI 150#	1 1/2" ISO PN 20	1 1/2" ANSI 150#	1 1/2" ANSI 150#	10.5	4.8
DB8	1 1/2" ISO PN 40	1 1/2" ISO PN 40	1 1/2" ISO PN 40	1 1/2" ISO PN 40	17	7.7
DB8	1 1/2" ISO PN 60	1 1/2" ISO PN 60	1 1/2" ISO PN 60	1 1/2" ISO PN 60	22	10.0
DB8	1 1/2" ISO PN 80	1 1/2" ISO PN 80	1 1/2" ISO PN 80	1 1/2" ISO PN 80	31	14.1
DB8	1 1/2" ISO PN 100	1 1/2" ISO PN 100	1 1/2" ISO PN 100	1 1/2" ISO PN 100	31	14.1

DB7/10 Outline Dimensions - Threaded Housing (R100509)



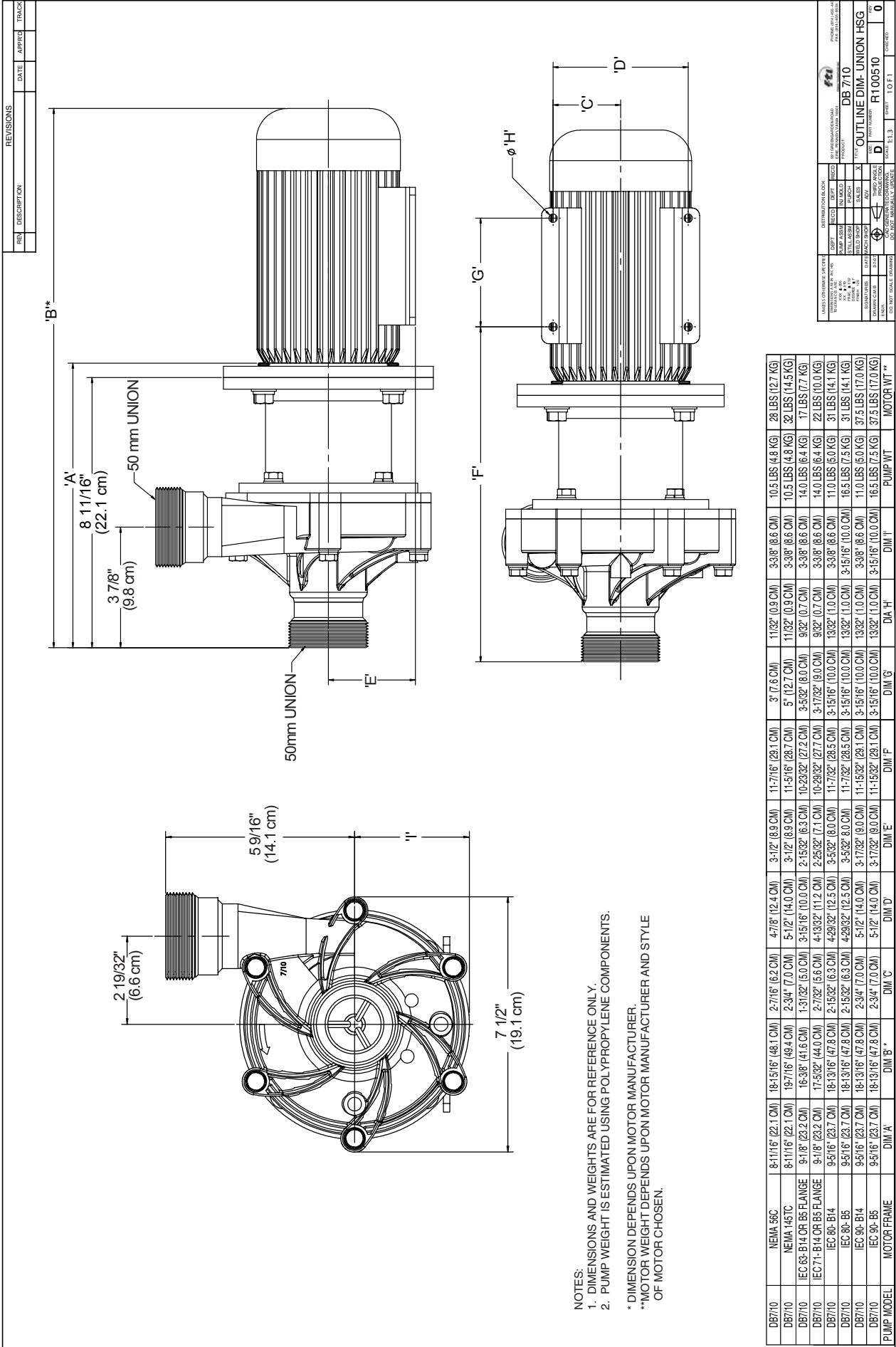
REV	DESCRIPTION	DATE	APPROV	TRACK

MODEL NUMBER DB 7/10	PART NUMBER R100509	DATE 10.1.2	REVISION 1.0 F.1	DRAWN BY D	CHECKED BY 0
-------------------------	------------------------	----------------	---------------------	---------------	-----------------

NOTES:
 1. DIMENSIONS AND WEIGHTS ARE FOR REFERENCE ONLY.
 2. PUMP WEIGHT IS ESTIMATED USING POLYPROPYLENE COMPONENTS.
 * DIMENSION DEPENDS UPON MOTOR MANUFACTURER.
 **MOTOR WEIGHT DEPENDS UPON MOTOR MANUFACTURER AND STYLE OF MOTOR CHOSEN.

MOTOR MODEL	DIM 'A'	DIM 'B'	DIM 'C'	DIM 'D'	DIM 'E'	DIM 'F'	DIM 'G'	DIA 'H'	DIM 'I'	PUMP WT	MOTOR WT **
DB7/10	7-332 (18.0 CM)	17-1132 (44.1 CM)	2-716 (6.2 CM)	4-78 (12.4 CM)	3-12 (8.9 CM)	9-2732 (25.0 CM)	3-7.6 CM	1-132 (0.9 CM)	3-38 (8.6 CM)	10.5 LBS (4.8 KG)	38 LBS (17.2 KG)
DB7/10	7-332 (18.0 CM)	17-2732 (45.3 CM)	2-34 (0 CM)	5-12 (14.0 CM)	3-12 (8.9 CM)	9-2532 (24.7 CM)	5 (12.7 CM)	1-132 (0.9 CM)	3-38 (8.6 CM)	10.5 LBS (4.8 KG)	32 LBS (14.5 KG)
DB7/10	IEC 63-B14 OR B5 FLANGE	7-1732 (19.1 CM)	14-2532 (37.5 CM)	1-3132 (0 CM)	2-1532 (6.3 CM)	9-18 (23.2 CM)	3-532 (8.0 CM)	3-32 (0.7 CM)	3-38 (8.6 CM)	14.0 LBS (6.4 KG)	17 LBS (7.7 KG)
DB7/10	IEC 71-B14 OR B5 FLANGE	7-1732 (19.1 CM)	15-2332 (39.9 CM)	2-732 (5.6 CM)	4-1332 (11.2 CM)	2-2532 (7.1 CM)	3-1732 (9.0 CM)	3-32 (0.7 CM)	3-38 (8.6 CM)	14.0 LBS (6.4 KG)	22 LBS (10.0 KG)
DB7/10	IEC 90-B14	7-2332 (19.6 CM)	17-732 (43.7 CM)	2-1532 (6.3 CM)	4-2932 (12.5 CM)	3-532 (8.0 CM)	3-1516 (10.0 CM)	1332 (1.0 CM)	3-38 (8.6 CM)	11.0 LBS (5.0 KG)	31 LBS (14.1 KG)
DB7/10	IEC 90-B5	7-2332 (19.6 CM)	17-732 (43.7 CM)	2-1532 (6.3 CM)	4-2932 (12.5 CM)	3-532 (8.0 CM)	3-1516 (10.0 CM)	1332 (1.0 CM)	3-38 (8.6 CM)	16.5 LBS (7.5 KG)	31 LBS (14.1 KG)
DB7/10	IEC 90-B14	7-2332 (19.6 CM)	17-732 (43.7 CM)	2-34 (0 CM)	5-12 (14.0 CM)	9-78 (25.1 CM)	3-1516 (10.0 CM)	1332 (1.0 CM)	3-38 (8.6 CM)	11.0 LBS (5.0 KG)	37.5 LBS (17.0 KG)
DB7/10	IEC 90-B5	7-2332 (19.6 CM)	17-732 (43.7 CM)	2-34 (0 CM)	5-12 (14.0 CM)	9-78 (25.1 CM)	3-1516 (10.0 CM)	1332 (1.0 CM)	3-38 (8.6 CM)	16.5 LBS (7.5 KG)	37.5 LBS (17.0 KG)

DB7/10 Outline Dimensions - Union Housing (R100510)



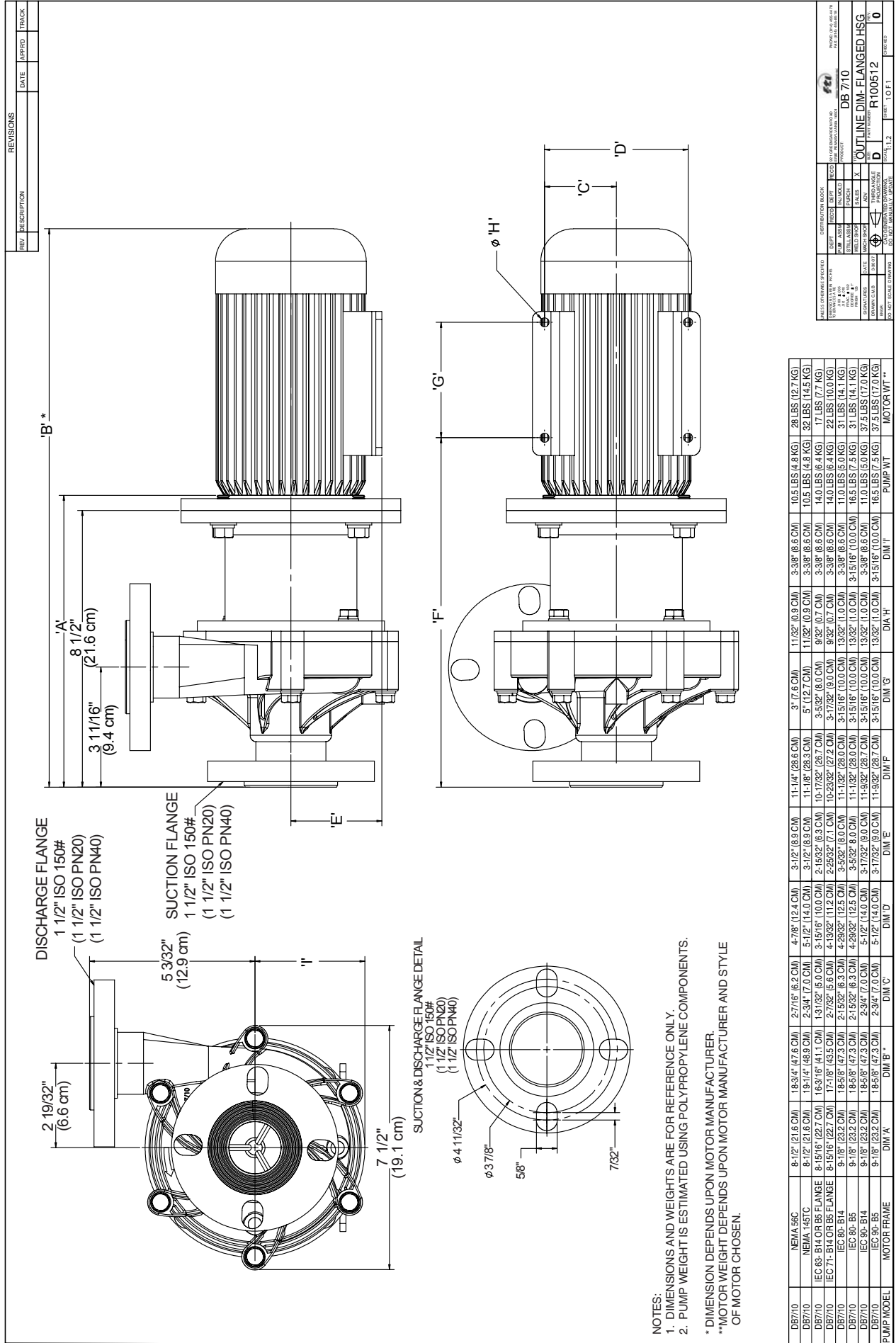
NOTES:
 1. DIMENSIONS AND WEIGHTS ARE FOR REFERENCE ONLY.
 2. PUMP WEIGHT IS ESTIMATED USING POLYPROPYLENE COMPONENTS.
 * DIMENSION DEPENDS UPON MOTOR MANUFACTURER.
 **MOTOR WEIGHT DEPENDS UPON MOTOR MANUFACTURER AND STYLE OF MOTOR CHOSEN.

DB7/10	NEMA 56C	8-11/16" (22.1 CM)	18-15/16" (48.1 CM)	2-7/16" (6.2 CM)	4-7/8" (12.4 CM)	3-1/2" (8.9 CM)	11-7/16" (29.1 CM)	3" (7.6 CM)	11/32" (0.9 CM)	3-3/8" (8.6 CM)	10.5 LBS (4.8 KG)	28 LBS (12.7 KG)
DB7/10	NEMA 145TC	8-11/16" (22.1 CM)	19-7/16" (49.4 CM)	2-3/4" (7.0 CM)	5-1/2" (14.0 CM)	3-1/2" (8.9 CM)	11-5/16" (28.7 CM)	5" (12.7 CM)	11/32" (0.9 CM)	3-3/8" (8.6 CM)	10.5 LBS (4.8 KG)	32 LBS (14.5 KG)
DB7/10	IEC 63-B14 OR B5 FLANGE	9-1/8" (23.2 CM)	16-3/8" (41.6 CM)	1-3/16" (5.0 CM)	3-15/16" (10.0 CM)	2-15/32" (6.3 CM)	10-23/32" (27.2 CM)	3-5/32" (6.0 CM)	9/32" (0.7 CM)	3-3/8" (8.6 CM)	14.0 LBS (6.4 KG)	17 LBS (7.7 KG)
DB7/10	IEC 71-B14 OR B5 FLANGE	9-1/8" (23.2 CM)	17-5/32" (44.0 CM)	2-7/32" (5.6 CM)	4-19/32" (11.2 CM)	2-25/32" (7.1 CM)	10-29/32" (27.7 CM)	3-17/32" (6.0 CM)	9/32" (0.7 CM)	3-3/8" (8.6 CM)	14.0 LBS (6.4 KG)	22 LBS (10.0 KG)
DB7/10	IEC 80-B14	9-5/16" (23.7 CM)	18-13/16" (47.8 CM)	2-15/32" (6.3 CM)	4-29/32" (12.5 CM)	3-5/32" (8.0 CM)	11-7/32" (28.5 CM)	3-15/16" (10.0 CM)	13/32" (1.0 CM)	3-3/8" (8.6 CM)	11.0 LBS (5.0 KG)	31 LBS (14.1 KG)
DB7/10	IEC 80-B5	9-5/16" (23.7 CM)	18-13/16" (47.8 CM)	2-15/32" (6.3 CM)	4-29/32" (12.5 CM)	3-5/32" (8.0 CM)	11-7/32" (28.5 CM)	3-15/16" (10.0 CM)	13/32" (1.0 CM)	3-5/8" (9.5 CM)	16.5 LBS (7.5 KG)	31 LBS (14.1 KG)
DB7/10	IEC 90-B14	9-5/16" (23.7 CM)	18-13/16" (47.8 CM)	2-3/4" (7.0 CM)	5-1/2" (14.0 CM)	3-17/32" (9.0 CM)	11-5/32" (29.1 CM)	3-15/16" (10.0 CM)	13/32" (1.0 CM)	3-3/8" (8.6 CM)	11.0 LBS (5.0 KG)	37.5 LBS (17.0 KG)
DB7/10	IEC 90-B5	9-5/16" (23.7 CM)	18-13/16" (47.8 CM)	2-3/4" (7.0 CM)	5-1/2" (14.0 CM)	3-17/32" (9.0 CM)	11-5/32" (29.1 CM)	3-15/16" (10.0 CM)	13/32" (1.0 CM)	3-5/8" (9.5 CM)	16.5 LBS (7.5 KG)	37.5 LBS (17.0 KG)
PUMP MODEL	MOTOR FRAME	DIM 'A'	DIM 'B'	DIM 'C'	DIM 'D'	DIM 'E'	DIM 'F'	DIM 'G'	DIM 'H'	DIM 'I'	PUMP WT	MOTOR WT **

F2I
 FLOUID CONTROL SYSTEMS
 10000 S.W. 25th Ave.
 Miami, FL 33147
 (305) 551-1111
 www.f2i.com

DB 7/10
 OUTLINE DIM- UNION HSG
 R100510
 SHEET 1 OF 1

DB7/10 Outline Dimensions - Flange Housing (R100512)



- NOTES:
1. DIMENSIONS AND WEIGHTS ARE FOR REFERENCE ONLY.
 2. PUMP WEIGHT IS ESTIMATED USING POLYPROPYLENE COMPONENTS.
- * DIMENSION DEPENDS UPON MOTOR MANUFACTURER.
 **MOTOR WEIGHT DEPENDS UPON MOTOR MANUFACTURER AND STYLE OF MOTOR CHOSEN.

DB7/10	NEMA 55C	8-12" (21.6 CM)	18.34" (47.6 CM)	2.716" (6.2 CM)	4.78" (12.4 CM)	3-12" (8.9 CM)	11-14" (28.6 CM)	3-17.5 CM)	11.92" (30.3 CM)	3-38" (9.6 CM)	10.5 LBS (4.8 KG)	28 LBS (12.7 KG)
DB7/10	NEMA 145TC	8-12" (21.6 CM)	18.14" (46.9 CM)	2.54" (7.0 CM)	5-12" (14.0 CM)	3-12" (8.9 CM)	11-18" (28.3 CM)	5" (12.7 CM)	11.92" (30.3 CM)	3-38" (9.6 CM)	10.5 LBS (4.8 KG)	32 LBS (14.5 KG)
DB7/10	IEC 65-B14 OR B5 FLANGE	8-15/16" (22.7 CM)	18.34" (47.6 CM)	1.312" (3.3 CM)	4-13/16" (11.0 CM)	2-15/32" (6.3 CM)	10-7/8" (28.7 CM)	3-5/32" (8.0 CM)	9-29" (27.2 CM)	3-38" (9.6 CM)	14.0 LBS (6.4 KG)	37 LBS (17.1 KG)
DB7/10	IEC 71-B14 OR B5 FLANGE	8-15/16" (22.7 CM)	17-1/8" (43.5 CM)	2-7/32" (5.6 CM)	4-13/16" (11.0 CM)	2-5/32" (7.0 CM)	10-23/32" (32.2 CM)	3-17/32" (10.0 CM)	9-29" (27.2 CM)	3-38" (9.6 CM)	14.0 LBS (6.4 KG)	37 LBS (17.1 KG)
DB7/10	IEC 80-B14	9-1/8" (23.2 CM)	18.59" (47.3 CM)	2-15/32" (6.3 CM)	4-29/32" (13.5 CM)	2-5/32" (7.0 CM)	11-1/2" (29.0 CM)	3-15/16" (10.0 CM)	10-29" (27.8 CM)	3-38" (9.6 CM)	14.0 LBS (6.4 KG)	37 LBS (17.1 KG)
DB7/10	IEC 90-B5	9-1/8" (23.2 CM)	18.59" (47.3 CM)	2-15/32" (6.3 CM)	4-29/32" (13.5 CM)	2-5/32" (7.0 CM)	11-1/2" (29.0 CM)	3-15/16" (10.0 CM)	10-29" (27.8 CM)	3-38" (9.6 CM)	14.0 LBS (6.4 KG)	37 LBS (17.1 KG)
DB7/10	IEC 90-B14	9-1/8" (23.2 CM)	18.59" (47.3 CM)	2-3/4" (7.0 CM)	5-1/2" (14.0 CM)	3-17/32" (8.0 CM)	11-29/32" (32.7 CM)	3-15/16" (10.0 CM)	10-29" (27.8 CM)	3-38" (9.6 CM)	14.0 LBS (6.4 KG)	37 LBS (17.1 KG)
DB7/10	IEC 90-B5	9-1/8" (23.2 CM)	18.59" (47.3 CM)	2-3/4" (7.0 CM)	5-1/2" (14.0 CM)	3-17/32" (8.0 CM)	11-29/32" (32.7 CM)	3-15/16" (10.0 CM)	10-29" (27.8 CM)	3-38" (9.6 CM)	14.0 LBS (6.4 KG)	37 LBS (17.1 KG)
PUMP MODEL	MOTOR FRAME	DBM 'A'	DBM 'B'	DBM 'C'	DBM 'D'	DBM 'E'	DBM 'F'	DBM 'G'	DBM 'H'	DBM 'I'	PUMP WT.	MOTOR WT **

REV	DESCRIPTION	DATE	APP'D	TRACK

REV	DESCRIPTION	DATE	APP'D	TRACK

REV	DESCRIPTION	DATE	APP'D	TRACK

REV	DESCRIPTION	DATE	APP'D	TRACK

DB11/15 OUTLINE DIMENSIONS - THREADED HOUSING (R100422)

REVISIONS	
REV. DESCRIPTION	DATE APPROV. TRACK

NOTES:

- ALL WEIGHTS ARE ESTIMATED AND FOR REFERENCE ONLY.
- PUMP WEIGHT IS ESTIMATED USING POLYPROPYLENE PUMP COMPONENTS.

* DIMENSION DEPENDS UPON MOTOR MANUFACTURER AND STYLE OF MOTOR USED.

** MOTOR WEIGHT DEPENDS UPON MOTOR MANUFACTURER AND STYLE OF MOTOR USED.

PUMP MODEL	MOTOR FRAME	DM 'A'	DM 'B'*	DM 'C'	DM 'D'	PUMP WT.	MOTOR WT.**
DB11/15	NEMA 56C FR.	8 17/32" (217mm)	20 17/32" (521mm)	3-3/4" (95 mm)	7-1/2" (191 mm)	27 lbs (12.2 kg)	31 lbs (14 kg)
DB11/15	NEMA 145 FR.	8 17/32" (217mm)	18 29/32" (480mm)	3-3/4" (95 mm)	7-1/2" (191 mm)	27 lbs (12.2 kg)	45 lbs (20 kg)
DB11/15	NEMA 184FR.	9 13/32" (239 mm)	22 6/32" (564mm)	3-3/4" (95 mm)	7-1/2" (191 mm)	27 lbs (12.2 kg)	84 lbs (38 kg)
DB11/15	IEC 80 FR.	9 5/32" (239mm)	19 11/16" (500mm)	3-3/4" (95 mm)	7-1/2" (191 mm)	27 lbs (12.2 kg)	35 lbs (16 kg)
DB11/15	IEC 90 FR.	9 5/32" (233mm)	19 7/8" (505mm)	3-3/4" (95 mm)	7-1/2" (191 mm)	27 lbs (12.2 kg)	50 lbs (23 kg)
DB11/15	EC 100 FR.	9 7/32" (234mm)	21 3/8" (543mm)	3-5/32" (80 mm)	6-10/32" (160 mm)	27 lbs (12.2 kg)	70 lbs (32 kg)
DB11/15	EC 112 FR.	9 7/32" (234mm)	21 7/8" (556mm)	3-3/4" (95 mm)	7-1/2" (191 mm)	27 lbs (12.2 kg)	88 lbs (40 kg)
PUMP MODEL	MOTOR FRAME	DM 'A'	DM 'B'*	DM 'C'	DM 'D'	PUMP WT.	MOTOR WT.**

DB11/15 OUTLINE DIMENSIONS - UNION HOUSING (R100424)

REV	DESCRIPTION	DATE	APPROV	TRACK

NOTES:

- ALL WEIGHTS ARE ESTIMATED AND FOR REFERENCE ONLY.
- PUMP WEIGHT IS ESTIMATED USING POLYPROPYLENE PUMP COMPONENTS.

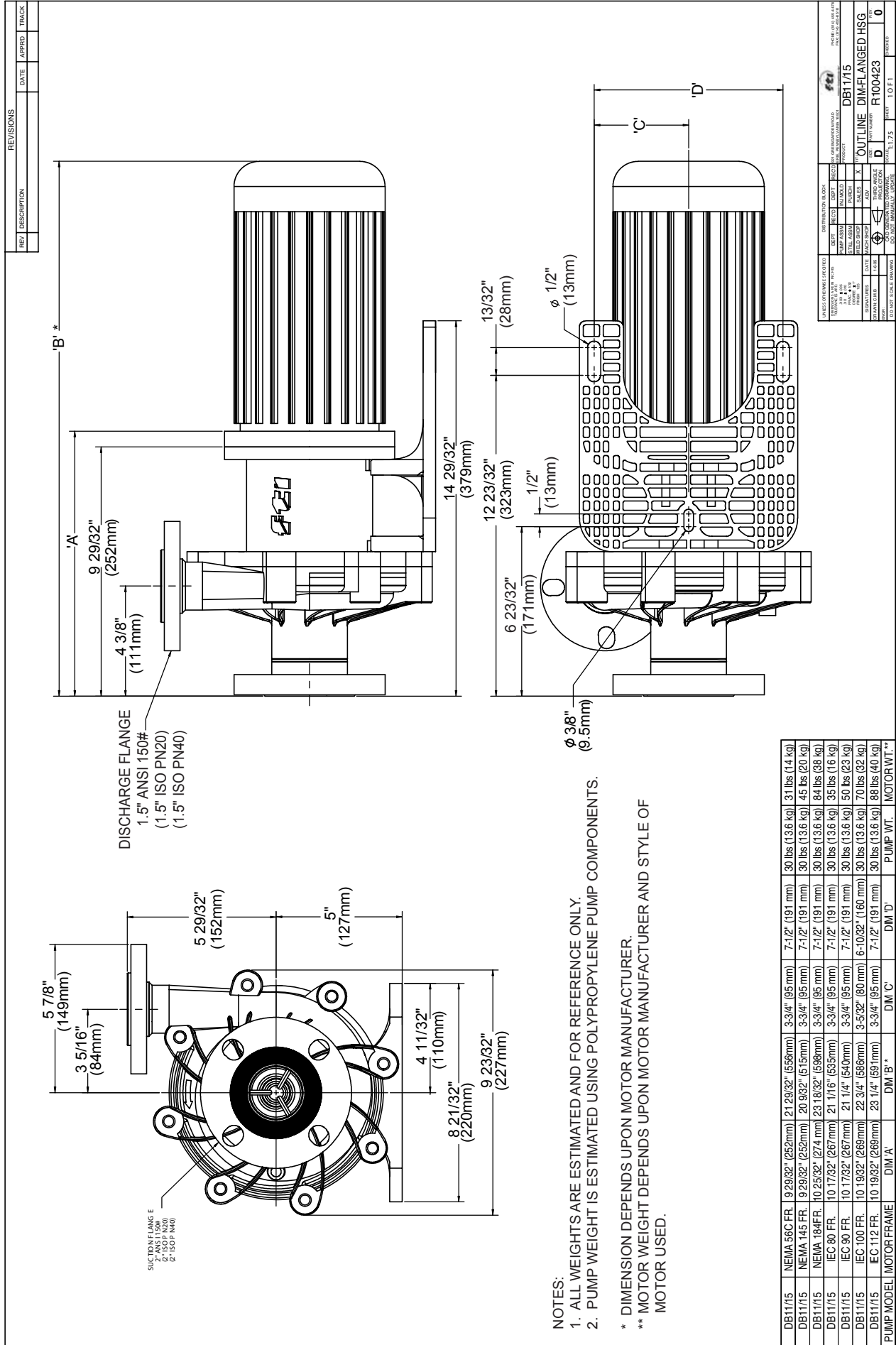
* DIMENSION DEPENDS UPON MOTOR MANUFACTURER.
 ** MOTOR WEIGHT DEPENDS UPON MOTOR MANUFACTURER AND STYLE OF MOTOR USED.

PUMP MODEL	MOTOR FRAME	DMI A	DMI B *	DMI C	DMI D	PUMP WT.	MOTOR WT. **
DB11/15	NEMA 56C FR.	10 1/4" (260mm)	22 1/4" (565mm)	3-3/4" (95mm)	7-1/2" (191mm)	28 lbs (12.7kg)	31 lbs (14 kg)
DB11/15	NEMA 145 FR.	10 1/4" (260mm)	20 5/8" (524mm)	3-3/4" (95mm)	7-1/2" (191mm)	28 lbs (12.7kg)	45 lbs (20 kg)
DB11/15	NEMA 184FR.	11 1/8" (282mm)	23 29/32" (607mm)	3-3/4" (95mm)	7-1/2" (191mm)	28 lbs (12.7kg)	84 lbs (38 kg)
DB11/15	IEC 80 FR.	11 1/8" (282mm)	21 13/32" (544mm)	3-3/4" (95mm)	7-1/2" (191mm)	28 lbs (12.7kg)	35 lbs (16 kg)
DB11/15	IEC 90 FR.	10 7/8" (276mm)	21 19/32" (548mm)	3-3/4" (95mm)	7-1/2" (191mm)	28 lbs (12.7kg)	50 lbs (23 kg)
DB11/15	IEC 100 FR.	10 15/16" (278mm)	23 3/32" (586mm)	3-5/32" (80mm)	6-10/32" (160mm)	28 lbs (12.7kg)	70 lbs (32 kg)
DB11/15	IEC 112 FR.	10 15/16" (278mm)	23 19/32" (599mm)	3-3/4" (95mm)	7-1/2" (191mm)	28 lbs (12.7kg)	88 lbs (40 kg)

UNION HOUSING DIMENSIONS		DIFFERENTIAL LOCK		MOTOR DIMENSIONS	
LENGTH	10 1/4"	DEPTH	7 1/2"	WIDTH	10 1/4"
WIDTH	4 3/4"	HEIGHT	7 1/2"	DEPTH	10 1/4"
HEIGHT	15 1/4"	WIDTH	7 1/2"	HEIGHT	10 1/4"
WEIGHT	28 lbs	WEIGHT	28 lbs	WEIGHT	28 lbs

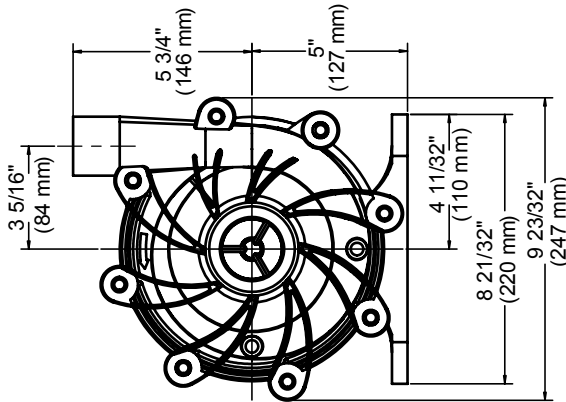
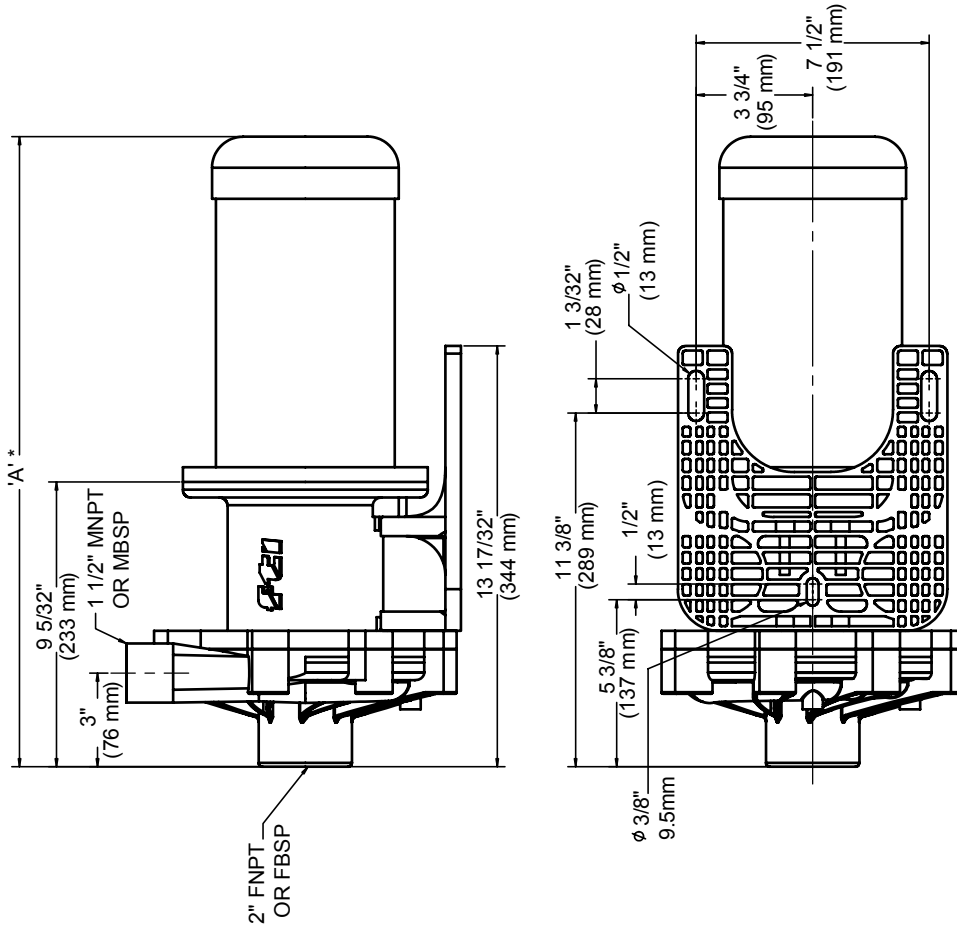
GENERAL INFORMATION		DRAWING INFORMATION		REVISIONS	
DATE	11/17/25	DRAWN	D		
		CHECKED			

DB11/15 OUTLINE DIMENSIONS - FLANGED HOUSING (R100423)



DB11/15 OUTLINE DIMENSIONS - THREADED HSG - 80-90 FR B5 (R100451)

REVISIONS			
REV	DESCRIPTION	DATE	APPROVED TRACK



NOTES:

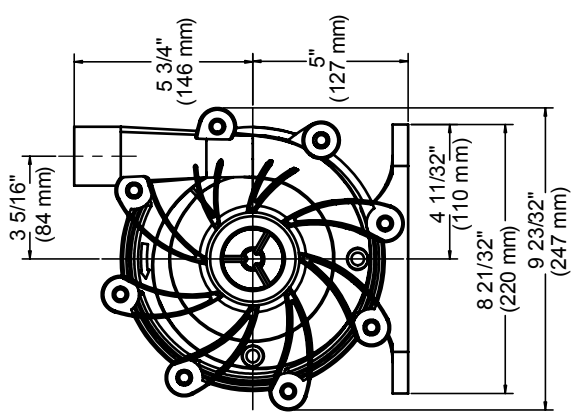
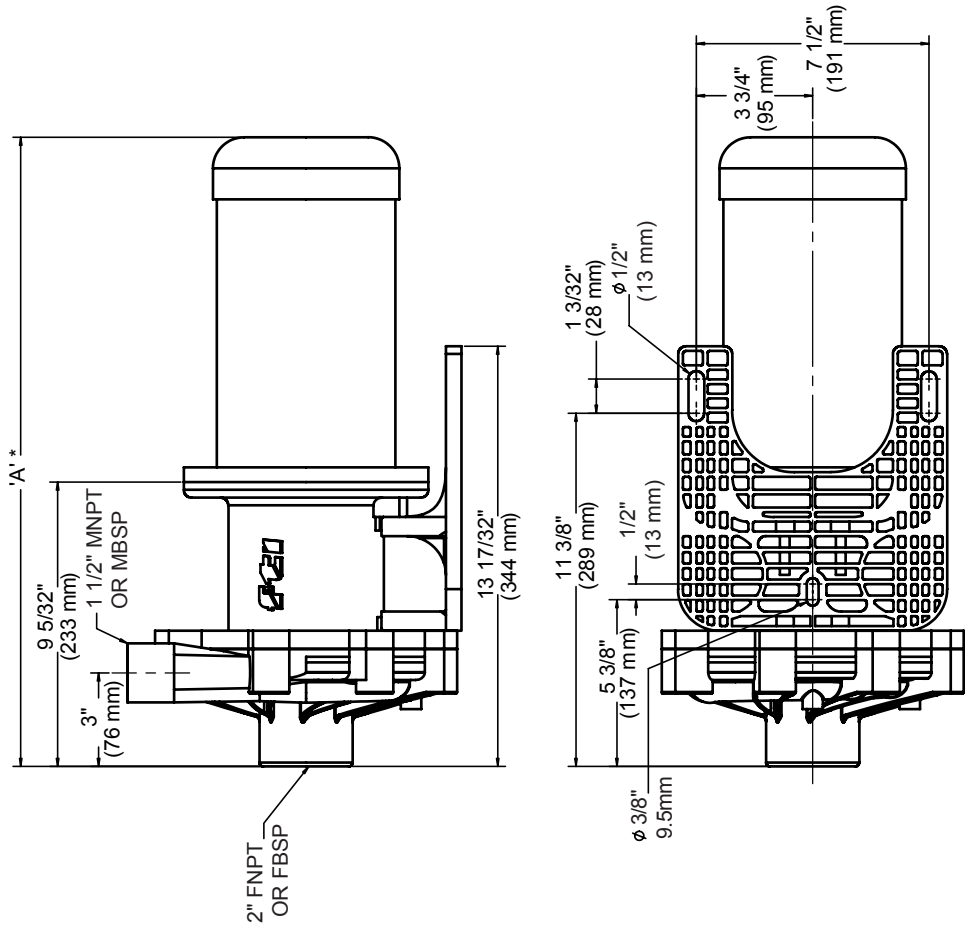
1. ALL WEIGHTS ARE ESTIMATED AND FOR REFERENCE ONLY.
 2. PUMP WEIGHT IS ESTIMATED USING POLYPROPYLENE PUMP COMPONENTS.
- * DIMENSION DEPENDS UPON MOTOR MANUFACTURER.
 ** MOTOR WEIGHT DEPENDS UPON MOTOR MANUFACTURER AND STYLE OF MOTOR USED.

MATERIALS SPECIFICATION		DISTRIBUTION BLOCK		REVISED		PROJECT		DATE		DRAWN BY		CHECKED BY		APPROVED BY	
ITEM NO.	DESCRIPTION	ITEM NO.	DESCRIPTION	REV.	DATE	NO.	DESCRIPTION	DATE	DATE	NO.	DESCRIPTION	DATE	DATE	DATE	DATE

DB11/15	IEC 80 FR B5 FLANGE	20-1/4" (514 mm)	29 lbs. (13.2 kg)	35 lbs (16 kg)
DB11/15	IEC 90 FR B5 FLANGE	21-11/32" (542 mm)	29 lbs. (13.2 kg)	50 lbs (23 kg)
PUMP MODEL	MOTOR FRAME	DIM 'A' *	PUMP WT	MOTOR WT **

DB11/15 OUTLINE DIMENSIONS - UNION HSG - 80-90 FR B5 (R100452)

REVISIONS		DATE	APPROV	TRACK
REV	DESCRIPTION			

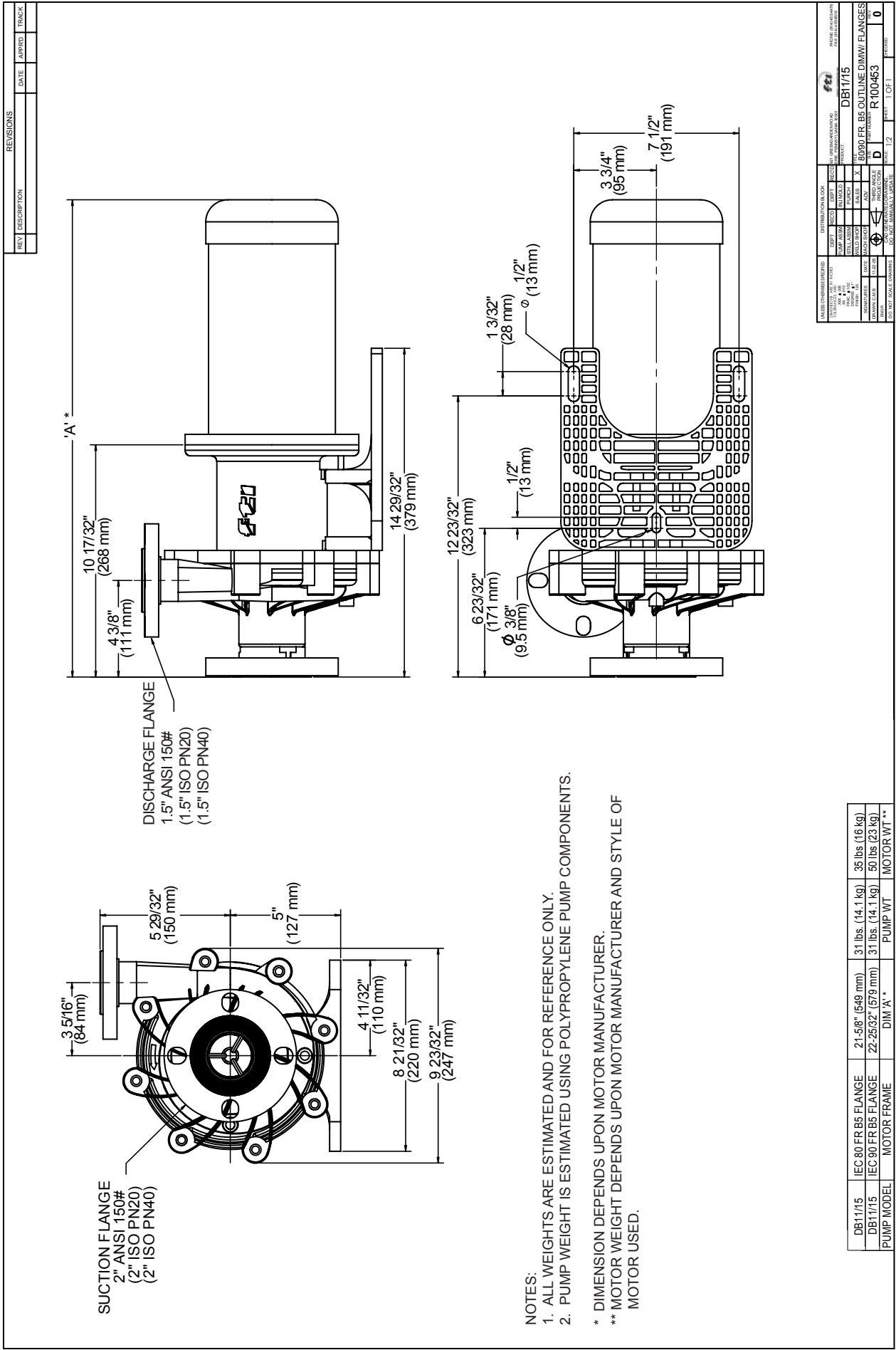


NOTES:
 1. ALL WEIGHTS ARE ESTIMATED AND FOR REFERENCE ONLY.
 2. PUMP WEIGHT IS ESTIMATED USING POLYPROPYLENE PUMP COMPONENTS.
 * DIMENSION DEPENDS UPON MOTOR MANUFACTURER.
 ** MOTOR WEIGHT DEPENDS UPON MOTOR MANUFACTURER AND STYLE OF MOTOR USED.

DESIGNATION		QUANTITY		MATERIAL		FINISH		TOLERANCE		MARKING	
DB11/15	80-90 FRAME BS OUTLINE DIM										
DRAWING NO. DB11/15 REV. 0 DATE 10/15/15 DRAWN BY J. H. HARRIS CHECKED BY J. H. HARRIS APPROVED BY J. H. HARRIS TITLE 80-90 FRAME BS OUTLINE DIM PROJECT NO. R100451 SHEET 1 OF 1 PREPARED BY J. H. HARRIS											

DB11/15	IEC 80 FR B5 FLANGE	20-1/4" (514 mm)	29 lbs. (13.2 kg)	35 lbs (16 kg)
DB11/15	IEC 90 FR B5 FLANGE	21-11/32" (542 mm)	29 lbs. (13.2 kg)	50 lbs (23 kg)
PUMP MODEL	MOTOR FRAME	DIM 'A'	PUMP WT	MOTOR WT

DB11/15 OUTLINE DIMENSIONS - FLANGE HSG - 80-90 FR B5 (R100453)



REV	DESCRIPTION	DATE	APPROV	TRACK

DISCHARGE FLANGE
1.5" ANSI 150#
(1.5" ISO PN20)
(1.5" ISO PN40)

SUCTION FLANGE
2" ANSI 150#
(2" ISO PN20)
(2" ISO PN40)

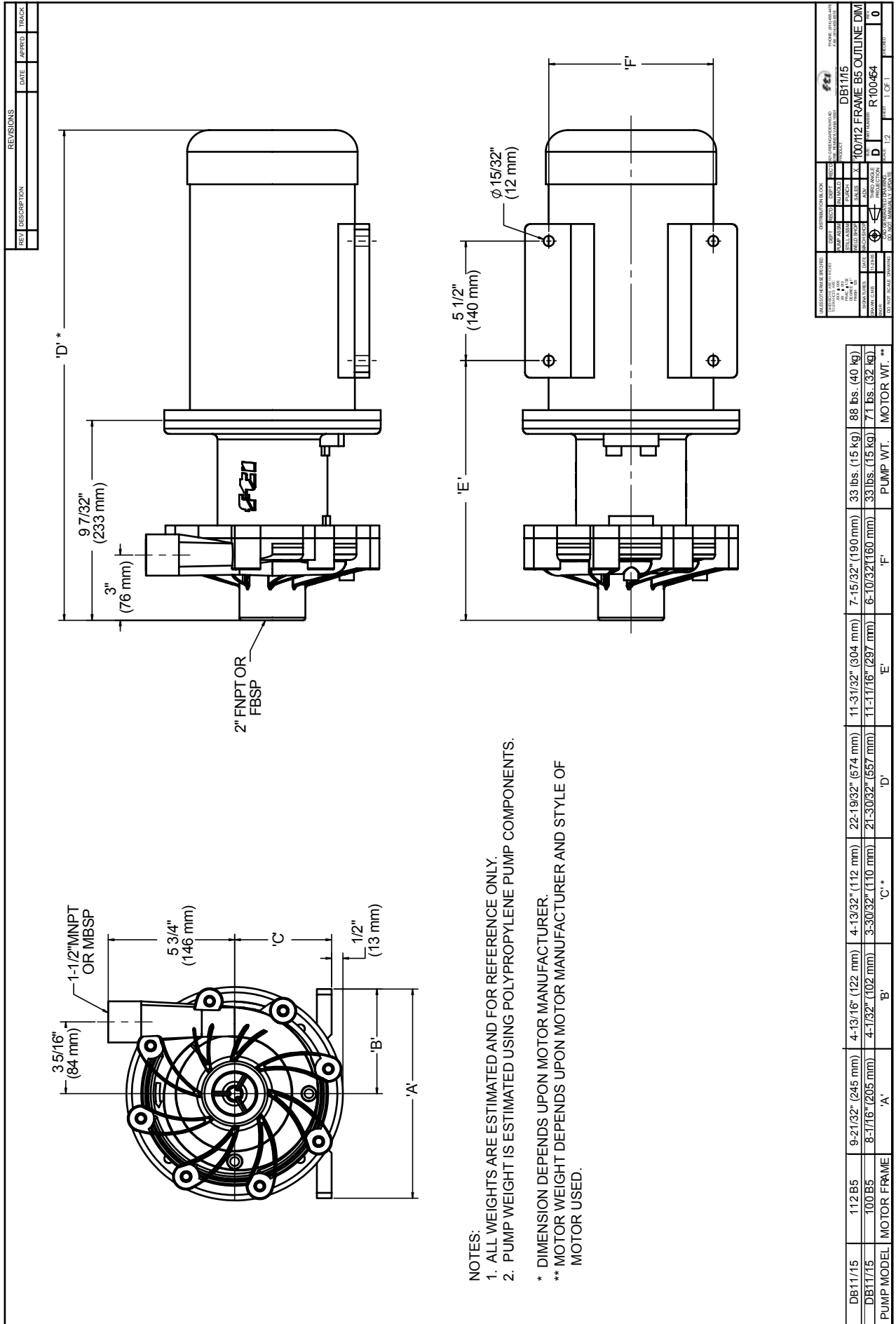
- NOTES:
 1. ALL WEIGHTS ARE ESTIMATED AND FOR REFERENCE ONLY.
 2. PUMP WEIGHT IS ESTIMATED USING POLYPROPYLENE PUMP COMPONENTS.
 * DIMENSION DEPENDS UPON MOTOR MANUFACTURER.
 ** MOTOR WEIGHT DEPENDS UPON MOTOR MANUFACTURER AND STYLE OF MOTOR USED.

DESIGN CHANGES		DISTRIBUTION BLOCK		REVISED BY		DATE		DESCRIPTION	

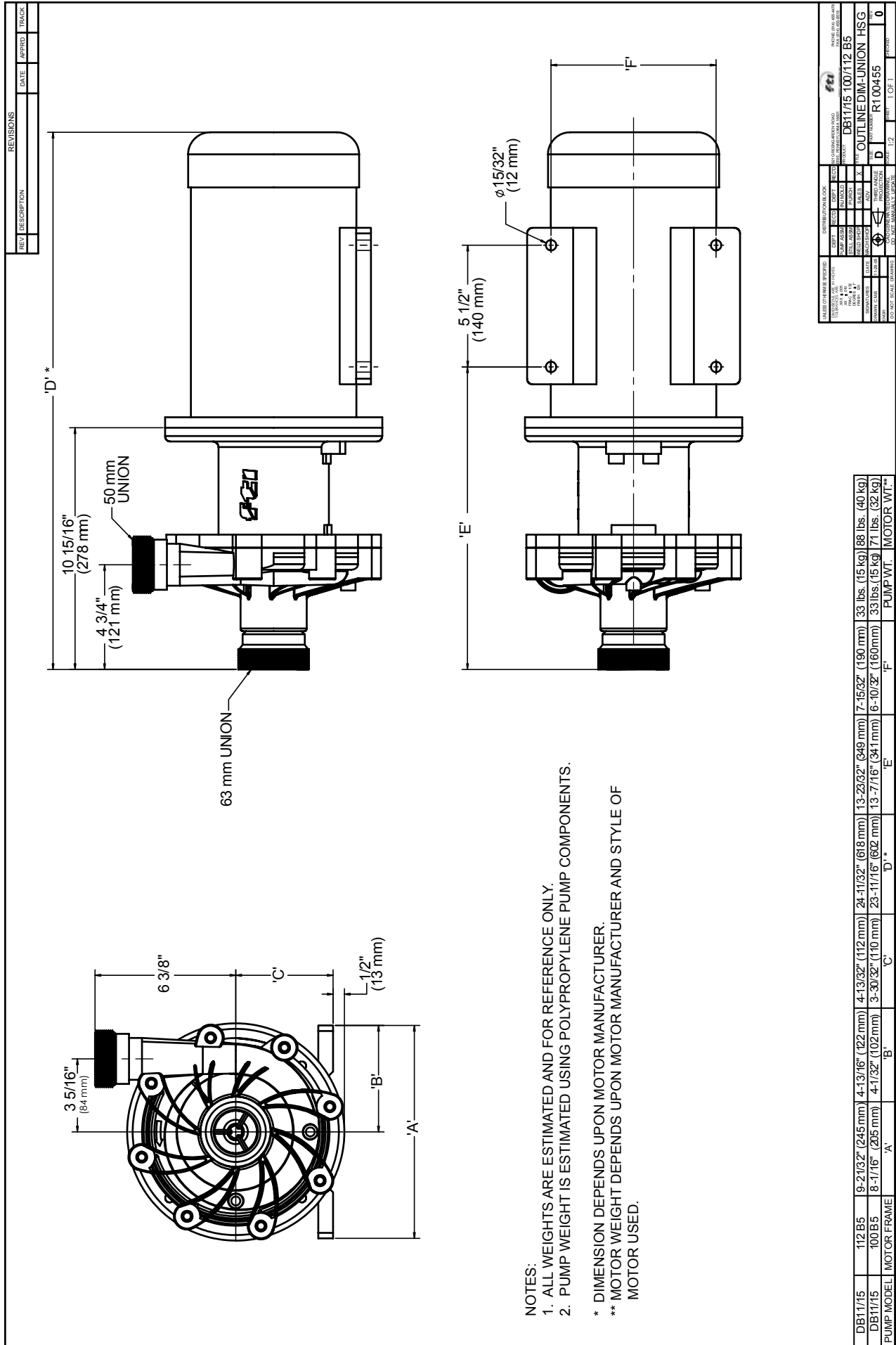
DB11/15	IEC 80 FR B5 FLANGE	21-58" (549 mm)	31 lbs. (14.1 kg)	35 lbs. (16 kg)
DB11/15	IEC 90 FR B5 FLANGE	22-25 3/2" (579 mm)	31 lbs. (14.1 kg)	50 lbs. (23 kg)
PUMP MODEL	MOTOR FRAME	DIM A*	PUMP WT	MOTOR WT **

--	--	--	--	--

DB11/15 OUTLINE DIMENSIONS - THREADED HSG - 100-112 FR B5 (R100454)



DB11/15 OUTLINE DIMENSIONS - UNION HSG - 100-112 FR B5 (R100455)



REVISIONS		DATE	APPRD	TRKCD
REV	DESCRIPTION			

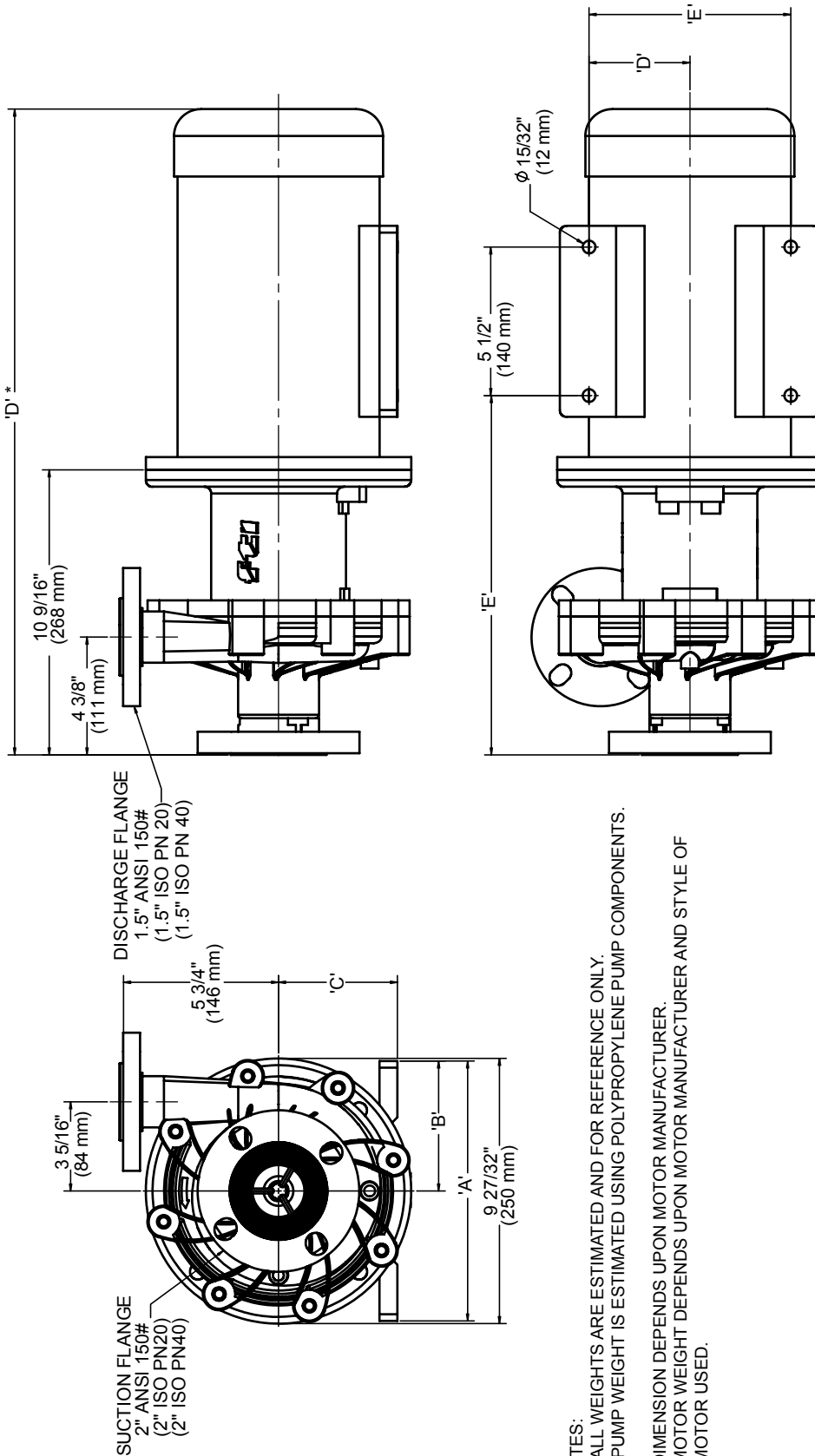
DESIGNATION		DB11/15 100/112 B5	
DESCRIPTION		OUTLINE DIM-UNION HSG	
PART NUMBER		R100455	
REV		D	
DATE			
DRAWN BY			
CHECKED BY			
APPROVED BY			
SCALE		1:1	
SHEET		1 OF 1	

PUMP MODEL	MOTOR FRAME	A'	B'	C'	D'*	E'	F'	PUMP WT.	MOTOR WT**
DB11/15	112 B5	9-2 1/32" (245 mm)	4-13/16" (122 mm)	4-13/32" (112 mm)	24-11/32" (618 mm)	13-23/32" (949 mm)	7-15/32" (190 mm)	33 lbs. (15 kg)	88 lbs. (40 kg)
DB11/15	100 B5	8-1/16" (205 mm)	4-7/32" (102 mm)	3-30/32" (110 mm)	23-11/16" (602 mm)	13-7/16" (341 mm)	6-10/32" (160 mm)	33 lbs. (15 kg)	71 lbs. (32 kg)

NOTES:
 1. ALL WEIGHTS ARE ESTIMATED AND FOR REFERENCE ONLY.
 2. PUMP WEIGHT IS ESTIMATED USING POLYPROPYLENE PUMP COMPONENTS.
 * DIMENSION DEPENDS UPON MOTOR MANUFACTURER.
 ** MOTOR WEIGHT DEPENDS UPON MOTOR MANUFACTURER AND STYLE OF MOTOR USED.

DB11/15 OUTLINE DIMENSIONS - FLANGE HSG - 100-112 FR B5 (R100456)

REV.	DESCRIPTION	DATE	APPROV.	TRACK



- NOTES:
1. ALL WEIGHTS ARE ESTIMATED AND FOR REFERENCE ONLY.
 2. PUMP WEIGHT IS ESTIMATED USING POLYPROPYLENE PUMP COMPONENTS.
- * DIMENSION DEPENDS UPON MOTOR MANUFACTURER.
 ** MOTOR WEIGHT DEPENDS UPON MOTOR MANUFACTURER AND STYLE OF MOTOR USED.

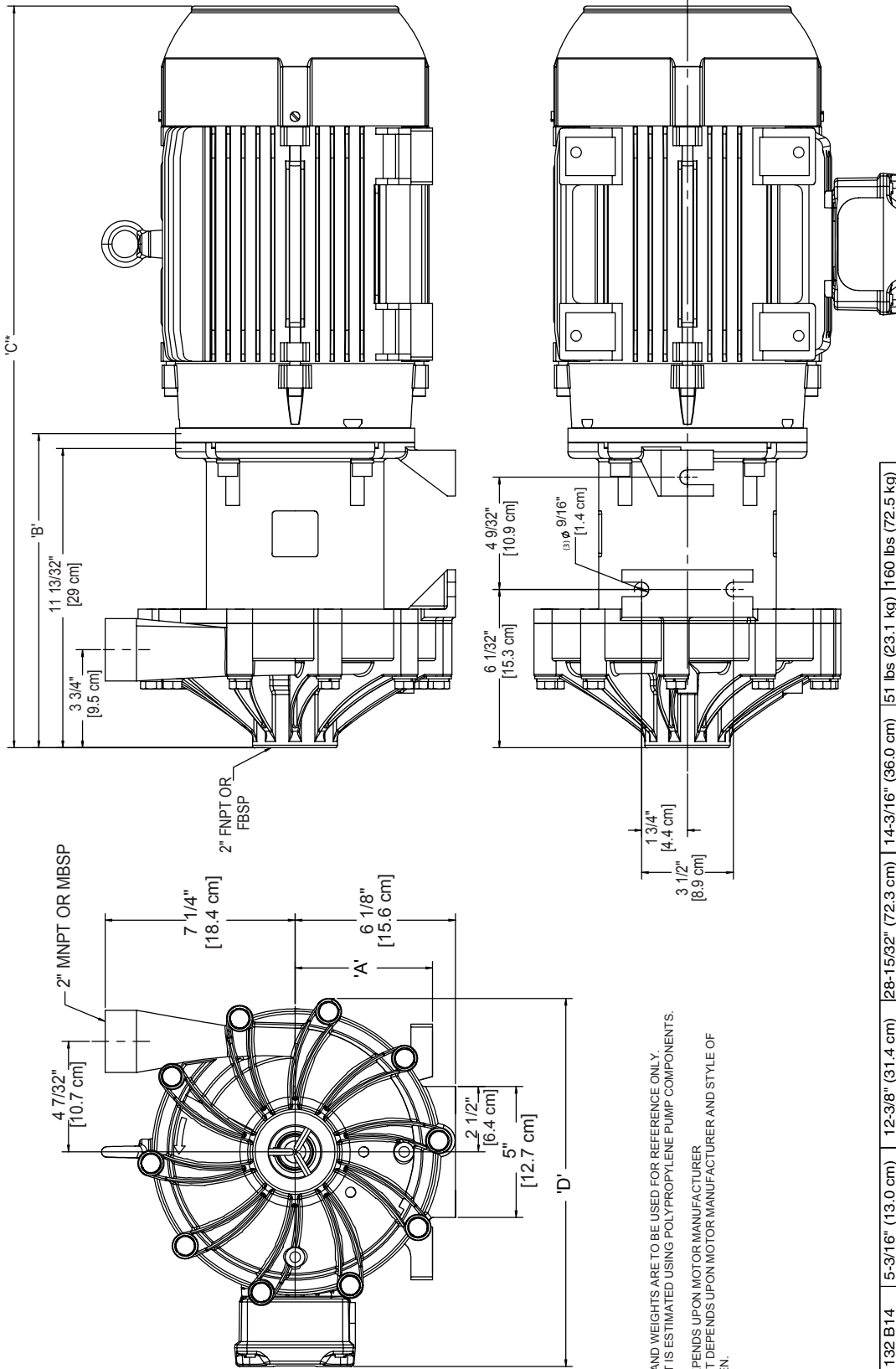
AMBIOTERM (PUMP)		DISTRIBUTION TRACK		REV. TRACK	
REV.	DESCRIPTION	REV.	DESCRIPTION	REV.	DESCRIPTION

PUMP MODEL	MOTOR FRAME	'A'	'B'	'C'	'D'	'E'	PUMP WT.	MOTOR WT.**
DB11/15	112 B5	9-21/32" (245 mm)	4-13/16" (122 mm)	4-13/32" (112 mm)	23-31/32" (609 mm)	13-17/32" (339 mm)	33 bs. (15 kg)	88 lbs. (40 kg)
DB11/15	100 B5	8-1/16" (205 mm)	4-1/32" (102 mm)	3-30/32" (110 mm)	23-5/16" (592 mm)	6-10/32" (160 mm)	33 bs. (15 kg)	71 lbs. (32 kg)

AMBIOTERM (PUMP)		DISTRIBUTION TRACK		REV. TRACK	
REV.	DESCRIPTION	REV.	DESCRIPTION	REV.	DESCRIPTION

DB22 Outline Dimensions - Threaded Housing

REV	DESCRIPTION	DATE	APPROV	TRACK



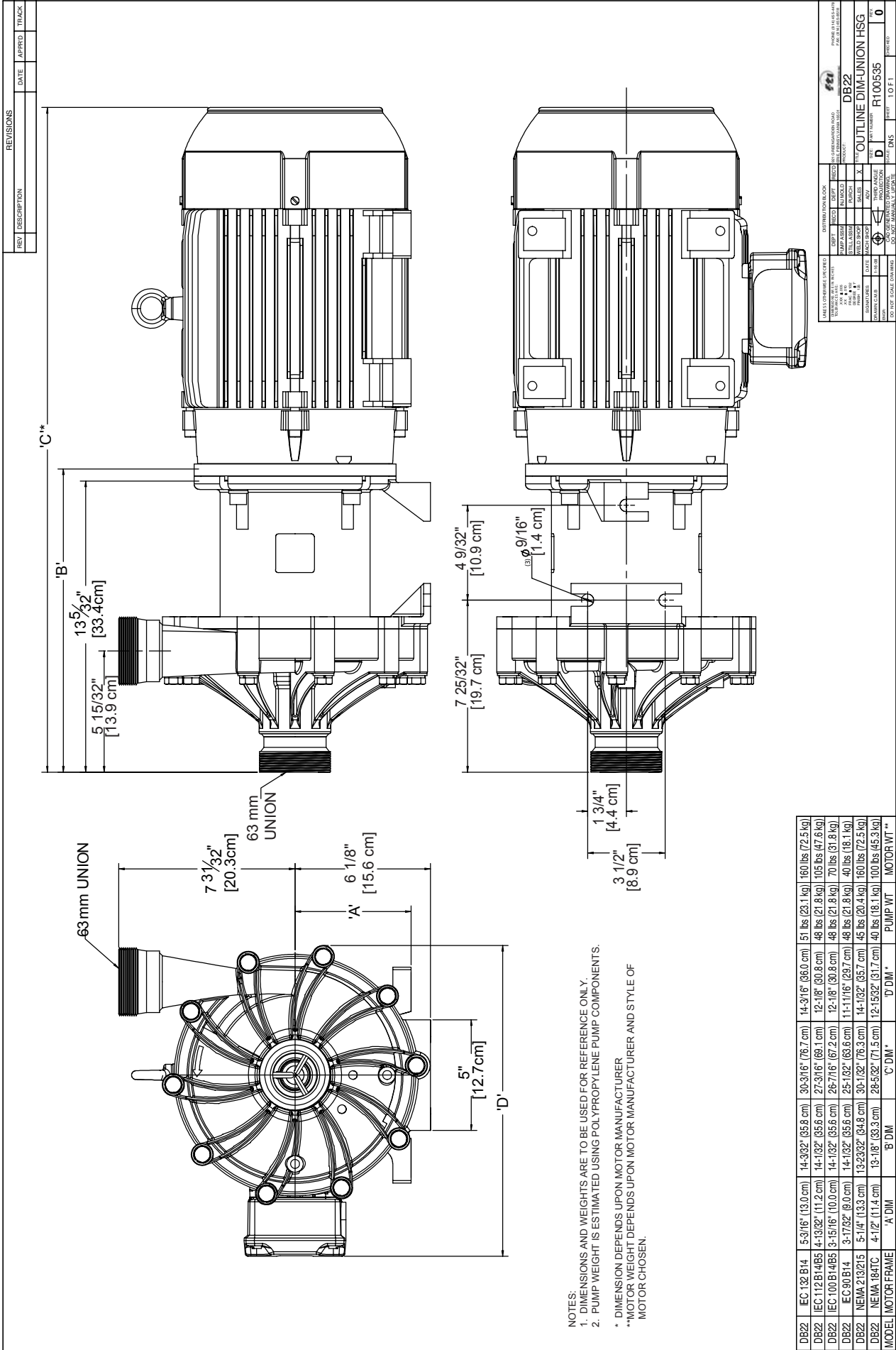
NOTES:
 1. DIMENSIONS AND WEIGHTS ARE TO BE USED FOR REFERENCE ONLY.
 2. PUMP WEIGHT IS ESTIMATED USING POLYPROPYLENE PUMP COMPONENTS.
 * DIMENSION DEPENDS UPON MOTOR MANUFACTURER
 **MOTOR WEIGHT DEPENDS UPON MOTOR MANUFACTURER AND STYLE OF MOTOR CHOSEN.

MODEL	MOTOR FRAME	'A' DIM	'B' DIM	'C' DIM *	'D' DIM *	PUMP WT	MOTOR WT **
DB22	IEC 132 B14	5-3/16" (13.0 cm)	12-3/8" (31.4 cm)	28-15/32" (72.3 cm)	14-3/16" (36.0 cm)	51 lbs (23.1 kg)	160 lbs (72.5 kg)
DB22	IEC 112 B14/B5	4-13/32" (11.2 cm)	12-5/16" (31.2 cm)	25-15/32" (64.7 cm)	12-1/8" (30.8 cm)	48 lbs (21.8 kg)	105 lbs (47.6 kg)
DB22	IEC 100 B14/B5	3-15/16" (10.0 cm)	12-5/16" (31.2 cm)	24-23/32" (62.8 cm)	12-1/8" (30.8 cm)	48 lbs (21.8 kg)	70 lbs (31.8 kg)
DB22	IEC 90 B14	3-17/32" (9.0 cm)	12-5/16" (31.2 cm)	23-5/16" (59.2 cm)	11-11/16" (29.7 cm)	48 lbs (21.8 kg)	40 lbs (18.1 kg)
DB22	NEMA 213/215	5-1/4" (13.3 cm)	12" (30.5 cm)	28-5/16" (71.9 cm)	14-1/32" (35.7 cm)	45 lbs (20.4 kg)	160 lbs (72.5 kg)
DB22	NEMA 184TC	4-1/2" (11.4 cm)	11-13/32" (29.0 cm)	26-7/16" (67.2 cm)	12-15/32" (31.7 cm)	40 lbs (18.1 kg)	100 lbs (45.3 kg)

MANUFACTURER'S SYMBOL	DESIGNATION	DESCRIPTION	DATE	APPROV	TRACK

SCALE	1" = 1"	1:1
UNIT	INCHES	MM
PROJ. SYM.		
PROJ. ANGLE		
PROJ. METHOD		
PROJ. CENTER		
PROJ. POINT		
PROJ. LINE		
PROJ. HATCH		
PROJ. DIMENSION		
PROJ. DIMENSION LINE		
PROJ. DIMENSION VALUE		
PROJ. DIMENSION UNIT		
PROJ. DIMENSION SCALE		
PROJ. DIMENSION LINE STYLE		
PROJ. DIMENSION VALUE STYLE		
PROJ. DIMENSION UNIT STYLE		
PROJ. DIMENSION SCALE STYLE		
PROJ. DIMENSION LINE STYLE		
PROJ. DIMENSION VALUE STYLE		
PROJ. DIMENSION UNIT STYLE		
PROJ. DIMENSION SCALE STYLE		

DB22 Outline Dimensions - Union Housing



DESIGNATION	REV	DATE	BY	CHKD	APPD	TRK
DB22						

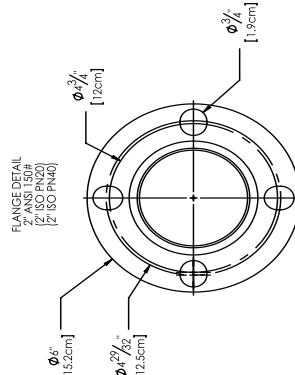
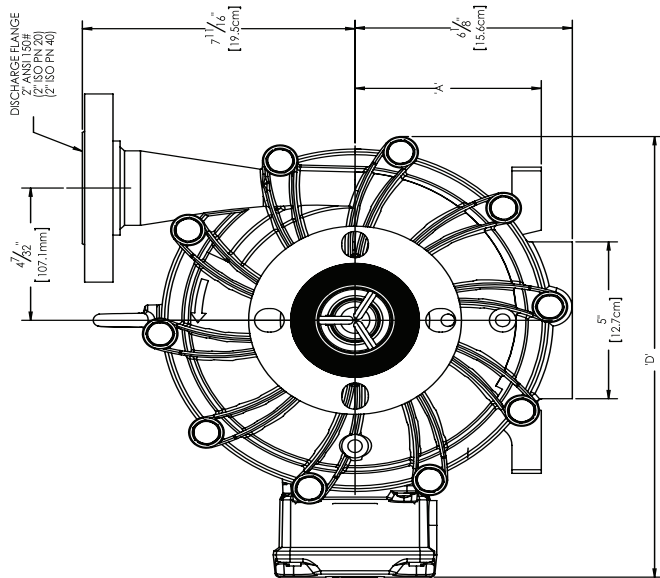
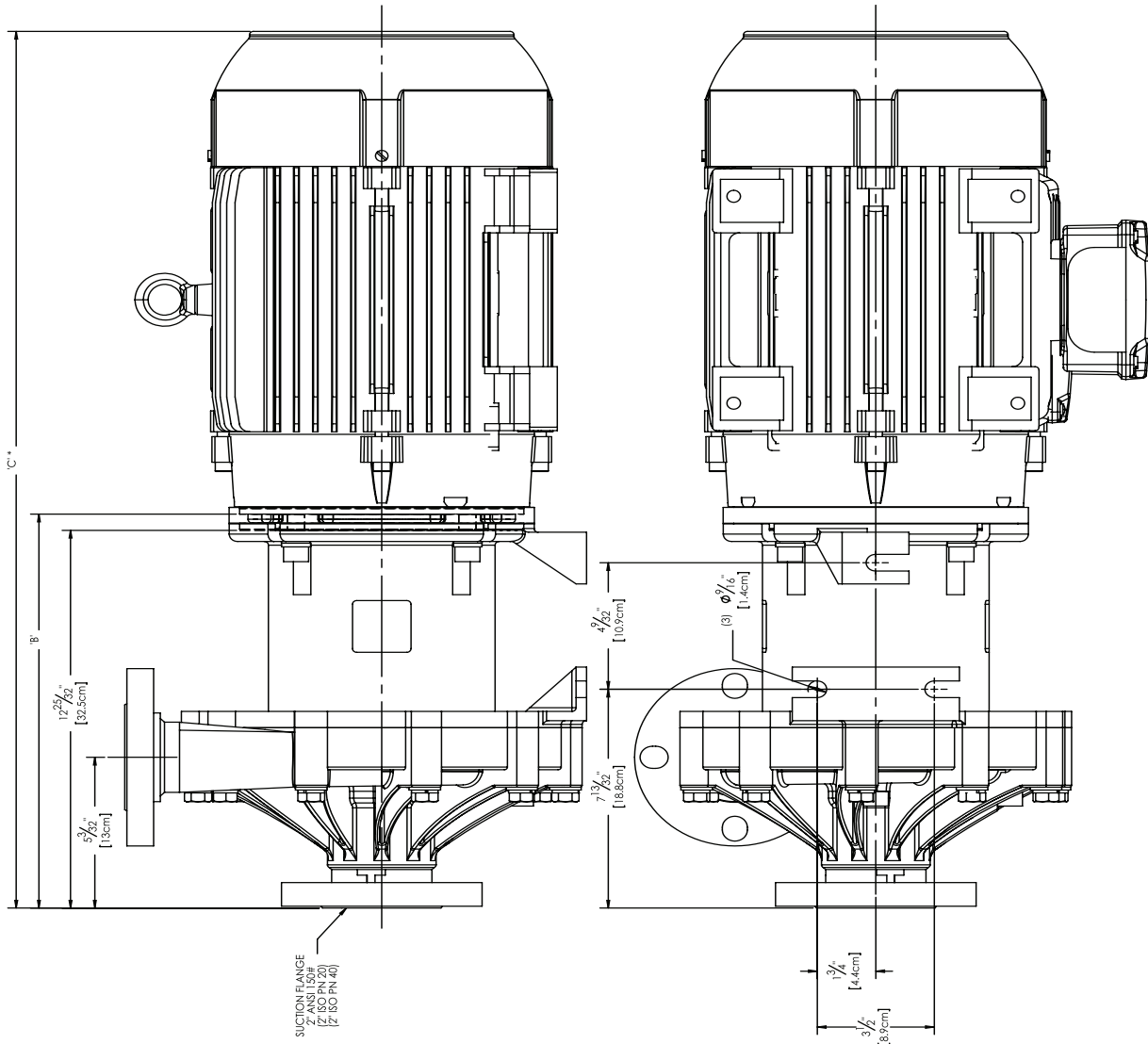
OUTLINE DIMENSION HSG

R100535

1 OF 1

DB22 Outline Dimensions - Flange Housing

REV	DESCRIPTION	DATE	APPROV	TRACK
1	ADDED ISO/TC DIMENSIONS	08/27/12	CJB	
2	ADDED 47/32" IN FRONT VIEW	10/27/12	IND	



NOTES:
 1. DIMENSIONS AND WEIGHTS ARE TO BE USED FOR REFERENCE ONLY
 2. PUMP WEIGHT IS ESTIMATED USING POLYPROPYLENE PUMP COMPONENTS
 * DIMENSION DEPENDS UPON MOTOR MANUFACTURER
 ** MOTOR WEIGHT DEPENDS UPON MOTOR MANUFACTURER AND STYLE OF MOTOR CHOSEN

UNLESS OTHERWISE SPECIFIED		DISTRIBUTION BLOCK		PUMP DESIGN		MOTOR DESIGN		PUMP MATERIAL		MOTOR MATERIAL	
DEPT	REC'D	DEPT	REC'D	IN MTD	IN MTD	IN MTD	IN MTD	IN MTD	IN MTD	IN MTD	IN MTD
DESIGN	DATE	DESIGN	DATE	DESIGN	DATE	DESIGN	DATE	DESIGN	DATE	DESIGN	DATE
DESIGNER	DATE	DESIGNER	DATE	DESIGNER	DATE	DESIGNER	DATE	DESIGNER	DATE	DESIGNER	DATE
DRAWN	DATE	DRAWN	DATE	DRAWN	DATE	DRAWN	DATE	DRAWN	DATE	DRAWN	DATE
SCALE		SCALE		SCALE		SCALE		SCALE		SCALE	
PROJECT		PROJECT		PROJECT		PROJECT		PROJECT		PROJECT	
REV		REV		REV		REV		REV		REV	
DB22 OUTLINE DIM- FLANGED HSG R100536 1 OF 1											

MODEL	MOTOR FRAME	A DIM	B DIM	C DIM*	D DIM*	PUMP WT**	MOTOR WT**				
DB22	IEC 132 B14B5	5-3/16"	13.0 cm	14-3/16"	37.5 cm	30-5/16"	77.0 cm	14-3/16"	36.0 cm	51 lbs	23.1 kg
DB22	IEC 112 B14B5	4-13/32"	11.2 cm	13-11/16"	34.8 cm	26-27/32"	66.2 cm	12-1/8"	30.8 cm	48 lbs	21.8 kg
DB22	IEC 100 B14B5	3-15/16"	10.0 cm	13-11/16"	34.8 cm	26-3/32"	66.3 cm	12-1/8"	30.8 cm	48 lbs	21.8 kg
DB22	IEC 90 B14B5	3-17/32"	9.0 cm	13-11/16"	34.8 cm	24-11/16"	62.7 cm	11-11/16"	29.7 cm	48 lbs	21.8 kg
DB22	NEMA 213215	5-1/4"	13.3 cm	13-3/8"	34.0 cm	29-11/16"	75.4 cm	14-1/32"	35.7 cm	45 lbs	20.4 kg
DB22	NEMA 182184TC	4-1/2"	11.4 cm	12-25/32"	32.5 cm	27-13/16"	70.6 cm	12-1/32"	31.7 cm	40 lbs	18.1 kg
DB22	NEMA 143145TC	3-1/2"	8.9 cm	13-13/32"	34.0 cm	24-7/8"	63.2 cm	11-23/32"	29.8 cm	49 lbs	22.2 kg