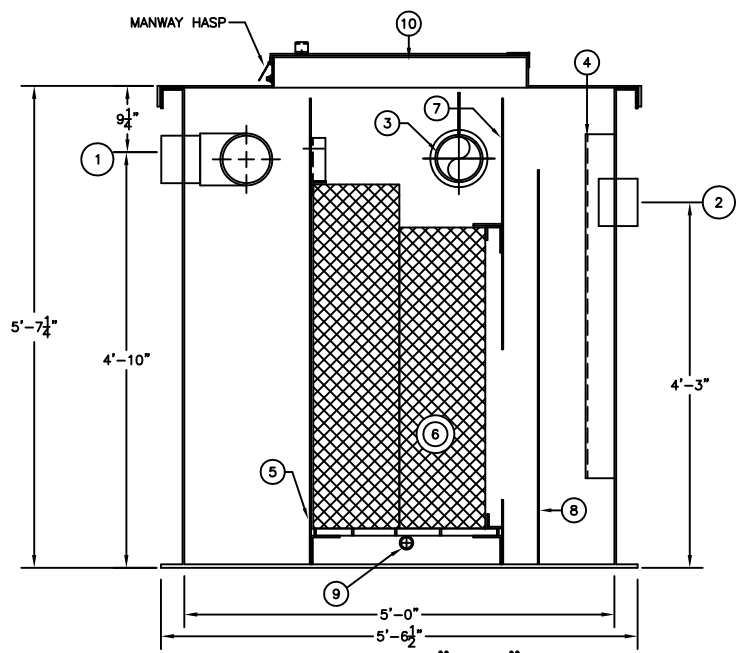


PLAN W/O LID



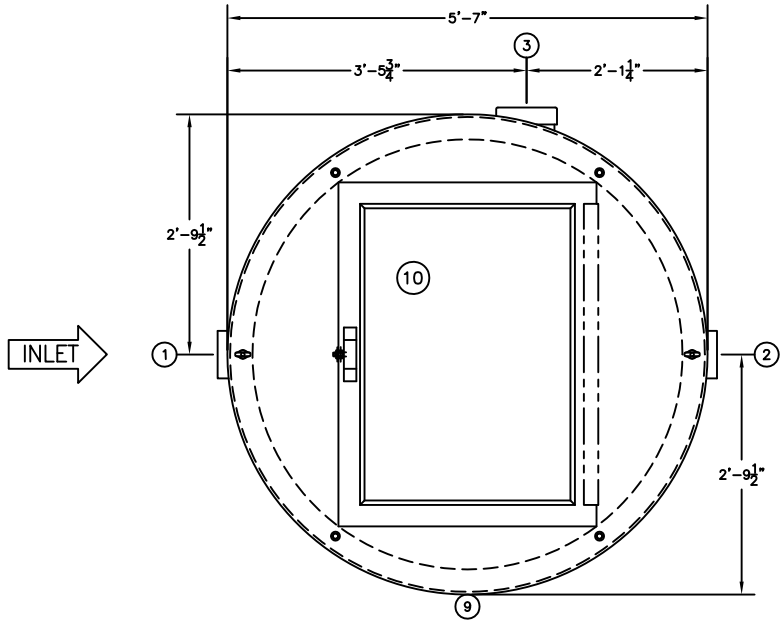
SECTION "A-A"

**ASSEMBLY LIST**


- ① 6"Ø INLET, PIPE STUB
- ② 6"Ø OUTLET, PIPE STUB
- ③ 6"Ø ROTARY PIPE SKIMMER/TRANSFER PIPE
- ④ VERTICAL OUTLET FLUME
- ⑤ INLET BAFFLE
- ⑥ VERTICAL TUBE COALESCERS
- ⑦ OIL RETENTION BAFFLE
- ⑧ WEIR WALL
- ⑨ 1"Ø DRAIN COUPLING, FPT W/ PLUG
- ⑩ 4'-0" X 3'-0" MANWAY

**NOTES**

1. PIPE AND FITTINGS ARE TO BE ONE OF THE FOLLOWING TYPES:  
 SCH. 40, PVC – STANDARD  
 SCH. 80, PVC  
 SCH. 40, CPVC  
 SCH. 80, CPVC  
 SCH. 80, PVC  
 FRP BISPHENOL  
 FRP VINYL ESTER
2. TANKS ARE TO BE CONSTRUCTED WITH ONE OF THE FOLLOWING RESIN TYPES:  
 ISOTHALIC POLYESTER – STANDARD  
 BISPHENOL A – POLYESTER  
 VINYL ESTER
3. MODIFICATIONS AND SPECIAL EQUIPMENT TO SUITE SPECIFIC CUSTOMER REQUIREMENTS ARE AVAILABLE BY FACTORY UPON APPROVAL BY AFL'S ENGINEERING DEPARTMENT.
4. TANKS CAN BE FABRICATED WITH A BOTTOM FLANGE WHEN ANCHORING IS REQUIRED.



PLAN

 <b>INDUSTRIES, INC.</b> 1751 WEST 10TH STREET, RIVIERA BEACH, FLA. 33404		
SCALE: NONE	THIS DRAWING AND SPECIFICATION IS THE PROPERTY OF AFL INDUSTRIES, INC. IT IS TO BE KEPT IN CONFIDENCE AND SHALL NOT BE REPRODUCED WITHOUT WRITTEN PERMISSION.	DRAWN BY: TMB
DATE: 12/15/03		CHECKED BY:
MODEL: CVF-5A-807-100-S-0		AFL JOB No. 5204
JOB: AFL INDUSTRIES	DRAWING No. 3S2576	FILE: 5A-807-100 5/25/07