

PULSAFEEDER®

Tank Systems are a rugged line of tanks designed to fit most solution handling needs. All tanks are constructed of polyethylene (PE) and come in a variety of sizes. An available stand option provides a Stainless Steel Tripod stand with pump mounting shelf for all tank sizes on the Light and Heavy Duty Tanks.

Light Duty Linear Tanks

15 gallon tanks are translucent with 5 gallon increments and feature child resistant black caps. Other tanks have full fitted lids. 30 gallon tanks are HDPE Cream and 40 gallon tanks are HDPE White. 75 gallon tanks are HDPE Black. They feature a integral molded top with a 4 inch diameter opening.

Heavy Duty Tapered Tanks

Tapered HDPE tanks feature rigid covers which allow the top mounting of CHEM-TECH 100, 200 and most PULSAtron pump models. 1/20 HP Flange Mount Mixers may also be mounted on the cover. Tanks available in 35 and 50 gallon capacities are translucent with 5 gallon graduations. (Not suitable for use with 1/3 HP Flange Mount Mixers.)

Industrial Duty Tank Systems

These tanks and covers are constructed of translucent PE with tank stands constructed of heavy gauge steel with a black corrosion resistant finish. The space conserving base for pump mounting under tank prevents loss of prime by maintaining a flooded suction. Industrial Duty Tank Systems come completely piped with PVC bulkhead, ball valve, Y strainer and suction tubing. Tank features graduated increments in both U.S. gallons and liters.

Features

- Tank sizes from 15 to 200 gallon

Operating Benefits

- Simple Installation.



Aftermarket

- Water Meters
- Gauges
- Dampeners
- Metering Pumps
- Pressure Relief Valves
- KOPkits
- Mixers (Bracket, Clamp, Flanged, Thread Mount)



Tank Systems

Tank Systems

Specifications and Model Selection

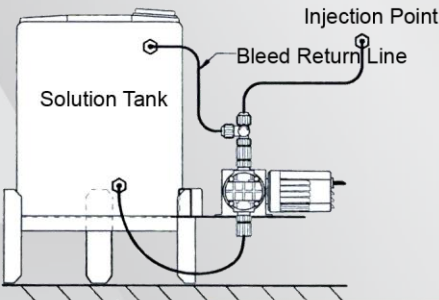
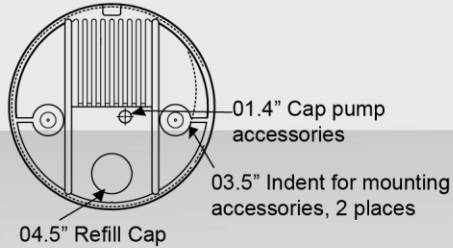
	Size Gallons	Wall	Tank Model	Stand Options			Material	Lid / Cover Type	Pump Mounting Options
				Series 100	Series C, C+, A+ & E*	Series E+ & E (LE33, LE34 & LE44)			
Light Duty	15	0.078"	40375	39320	J39373	J39378	PE Translucent		
	30	0.094"	J40360	39322	J39374	J39379	LLDPE		
	40	0.094"	J40361				LLPDE		
	75	0.125"	J40362	39324	J39377	J39382	LLPDE		
Heavy Duty	35	0.125"	40365	39323	J39375	J39380	MDPE		
	50	0.125"	J40366	39321	J39376	J39379	MDPE		
Heavy Wall	30	0.25"	42400				PE Translucent	Rigid PE Cover	Cover Mount
	55	0.25"	42401						
Industrial	30	0.25"	42402				PE Translucent	FRP w/ White Gelcoat	Base Mount
	55	0.25"	42396						
	100	0.31"	42397						
	150	0.31"	42398						
	200	0.31"	42399						

* Note: All Series E pumps except (LE33, LE34 & LE44)

Typical Installations

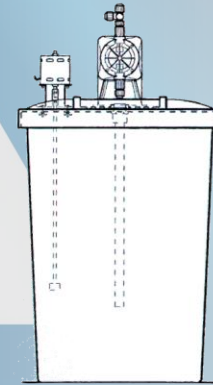
for 15 to 75 Gallon Tank Systems

35 & 50 Gal Lid



Typical Tank, Stand, Feeder Combination

(shown with 15 Gallon Tank, Stand, Bulkhead Fittings and Chem-Tech Pump-all components are purchased separately.)
 Note: When using this type of mount, tank bulkhead fittings are required for the suction and/or return lines. Bulkhead fittings are available in 3/8" O.D. and 1/2" O.D. tubing connections and can be installed at the factory.



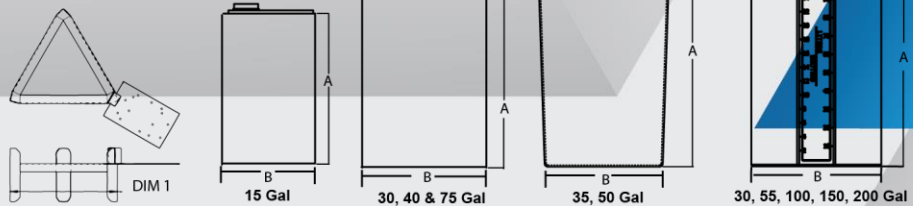
Typical Tank, Mixer, Feeder Combination

(shown with 50 Gallon Tapered MDPE Tank, 1/20 HP Mixer, PULSAtron Pump and Suction Tube Shield Assembly-all components are purchased separately.)

Dimensions

Tank Model	Size Gal	Dimensions (inches)			
		Tank Stand 1	Height Tank A	Dia at Base B	Dia at Top C
40375	15	14.13"	25"	14.5"	
J40360	30	18.63"	32"	18.5"	
J40361	40	18.63"	41.25"	18.5"	
J40362	75	22.63"	41.75"	24.25"	
40365	35	18.88"	28"	20"	23"
J40366	50	18.13"	42.5"	18.5"	23"
42400	30		21.75"	21"	24.5"
42401	55		33.75"	21"	24.5"
42402	30		32"	18"	21"
42396	55		32"	24"	27"
42397	100		37"	30"	33"
42398	150		54"	30"	33"
42399	200		56"	34"	37"

Stand for 15-55 Gal



27101 Airport Road
 Punta Gorda, FL 33982
 Phone: ++1(941) 575-3800
 Fax: ++1(941) 575-4085

www.pulsaatron.com



An ISO 9001 Certified Company

TS001 H15



PULSAFEEDER®

Pulsafeeder Double Wall Dual Containment Tanks are designed for chemical feed and water treatment applications. All tanks include standard access openings and threaded connections making these tanks ready to place in service as equipped. Tanks quarter turn lid attached to tank with chemical resistant lanyard for visual inspection and no risk of losing lid. The heavy duty tank lid will support metering pump or mixer mounted directly to tank and the quick fill tank fill assembly with cap allows tanks to easily be refilled. The pump pick-up tube port allows installing the pump suction line with check valve quick and easy and once installed it is sealed from outside environment in seconds.

All of our tanks meet or exceed the EPA's requirements for secondary containment under 40-CFR 264.175. Standard Openings – 8" (16" on 300 gallon and up) Twist Lid, 2" & 1" female NPT top connections (plugged).

The linear polyethylene construction offers superior chemical resistance for acids, caustics, sodium hypochlorite, biocides, etc and handles aggressive applications that stainless steel and crosslink polyethylene will not. Double Wall Containment Tanks heavy duty dual walled construction is rated for liquids of 1.5 or 2.0 specific gravity and reduces likelihood of spills.

Features

- Heavy Duty Dual Walled Construction
- Tank sizes from 15 to 500 gallon
- Meets or Exceeds EPA's Secondary Containment Standards
- Linear Polyethylene Construction
- Quick Fill Tank Fill Assembly With Cap

Operating Benefits

- Simple Installation.
- Improved Employee Safety
- No Drum Disposal Costs
- Continuous Chemical Feed
- Simplified Chemical Handling



Aftermarket

- Water Meters
- Gauges
- Dampeners
- Metering Pumps
- Pressure Relief Valves
- KOPkits
- Mixers (Bracket, Clamp, Flanged, Thread Mount)



Double Wall Containment Tank

Double Wall Containment Tank

Specifications and Model Selection

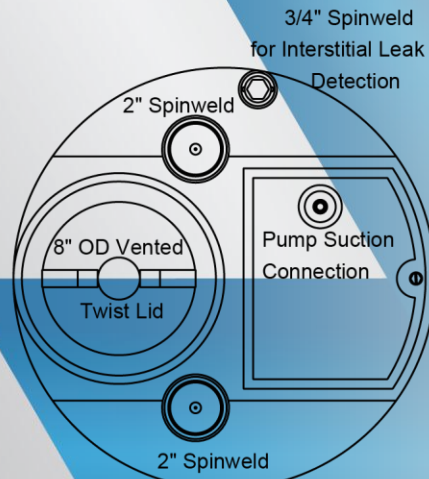
Size Gallons	Material	Lid / Cover Type	Pump Mounting Options	Part Number
15	Blue PE	4" Fill Cap	None	42403
20				42404
40		8" Fill Cap	Top Mount	42405
62				42406
120				42407
220				42408
300				42409
500				42410
		16" Fill Cap		

Typical Installations



Typical Top Configuration

Some sizes vary.



Dimensions

Size	Height	Diameter	Part Number
15	25.25"	19.5"	42403
20	23"	23.25"	42404
40	40.5"	23.25"	42405
62	38.25"	25"	42406
120	47"	32"	42407
220	47"	48"	42408
300	60"	48"	42409
500	61"	60"	42410



27101 Airport Road
 Punta Gorda, FL 33982
 Phone: ++1(941) 575-3800
 Fax: ++1(941) 575-4085

www.pulsatron.com



An ISO 9001 Certified Company

DCT001 I14



PULSAFEEDER®

Pulsafeeder's ITS System is a completely integrated tank system constructed of UV resistant polyethylene (PE) with a 15 gallon capacity. This tank system is translucent with 5 gallon increments and the tank's low level indicator allows visual monitoring of chemicals without opening the tank. The tight fitting child proof lid keeps the chemical free of contaminants and protects the surrounding area from chemical fumes.

The ITS System also allows for easy access to the liquid end and control panel of the mounted pump.

A system consists of a chemical tank with lid and bulkhead fittings: a liquid level indicator float assembly and feeder mounting hardware.

Features

- **Liquid Level Wand:** The tank's low level indicator allows visual monitoring of chemical supply without opening the tank.
- **Child Proof Lid:** The tight fitting lid keeps the chemical free of contaminants.
- **Flooded Suction:** The flooded suction allows for continuous pumping without loss of prime.
- **Universal Pump Mount:** The "ITS" is predrilled for all pumps listed.
- **Built-in Grip:** For easy lifting and moving of ITS System.
- **Optional Shut-Off Valve:** Available in PVC, allows maintenance on metering pump without emptying chemical.

Operating Benefits

- Simple installation.
- Easy to maintain with low level indicator.
- Secure tight fitting lid.



Aftermarket

- Water Meters
- Gauges
- Dampeners
- Metering Pumps
- Pressure Relief Valves
- KOPkits
- Pre-Engineered Systems



Integrated Tank Systems

Integrated Tank Systems Specifications and Model Selection

ITS Tank Systems					
Size Gallons	Pump Type	Pump Series	Housing	Tube Conn. Size	System Part No.
15	Chem-Tech	XP	N/A	1/4"	J63063
		Series 100		3/8"	J40489
				1/2"	J40490
	PULSAtron	"1" or "J" conn.	Series A+, C, C+, E (except below)	3/8"	J40492
		"A" conn.		1/2"	J40493
		"1" or "J" conn.	E (LE33-44) and E+	3/8"	J40495
		#3 conn.		1/2"	J40496

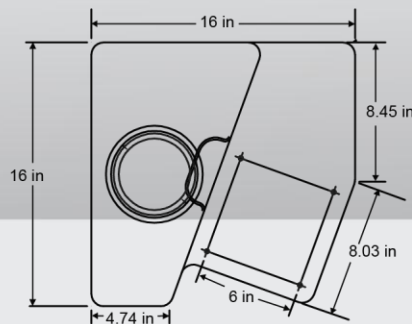
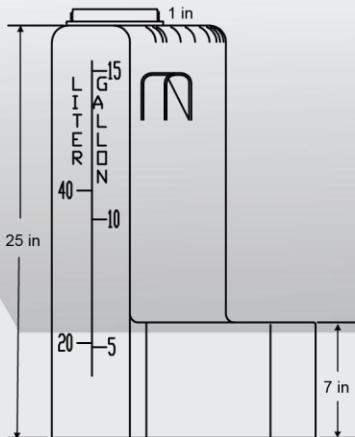
Custom Engineered Designs – Pre-Engineered Systems



Pre-Engineered Systems

Pulsafeeder's Pre-Engineered Systems are designed to provide complete chemical feed solutions for all electronic metering applications. From stand alone simplex pH control applications to full-featured, redundant sodium hypochlorite disinfection metering, these rugged fabricated assemblies offer turn-key simplicity and industrial-grade durability. The UV-stabilized, high-grade HDPE frame offers maximum chemical compatibility and structural rigidity. Each system is factory assembled and hydrostatically tested prior to shipment.

Dimensions



PULSAFEEDER

27101 Airport Road
Punta Gorda, FL 33982
Phone: ++1(941) 575-3800
Fax: ++1(941) 575-4085

www.pulsatron.com



An ISO 9001 Certified Company

ITS001 H14

IDEX
FLUID & METERING

PULSAFEEDER®

Pulsafeeder's TSF System is a complete compact feed system from 7.5 up to 15 gallon capacity. The chemical storage tank and metering pump both mount on a common, fitted base for a precise, secure installation. The 15 gallon tank has a low level indicator that allows visual monitoring of supply without opening the tank and the tight fitting lid keeps the chemical free of contaminants.

The 15 gallon capacity tank satisfies a wide range of requirements, plus the system accepts the full MEC-O-MATIC Stingray Series, CHEM-TECH Series 100, and popular PULSAtron metering pumps, ranging up to 44 GPD.

The system is constructed of the finest quality materials available and backed by Pulsafeeder's warranty.

Operating Benefits

- Simple Installation.
- Easy to maintain
- Secure
- Reliable



Features

- 7.5 or 15 Gallon Tank Capacity
- Low Level Indicator On 15 Gallon Tank
- Tight Fitting Lid
- Fitted Base For Mounting Tank And Pump

Aftermarket

- Water Meters
- Gauges
- Dampeners
- Metering Pumps
- Pressure Relief Valves
- KOPkits
- Pre-Engineered Systems



TSF Systems
Tank, Stand & Feed Pump

TSF Systems

Specifications and Model Selection

TSF Selection Table				
Size Gallons	Pump Type	Pump Series	Tube Conn. Size	System Part No.
7.5	Mec-O-Matic	Stingray	3/8"	U8800449
15	Chem-Tech	Series 100	1/2"	J40442
			3/8"	J40443
	PULSAtron	"A" conn.	1/2"	J40444
		#1 conn.	3/8"	J40445
	"J" conn.	5/16"	J40482	

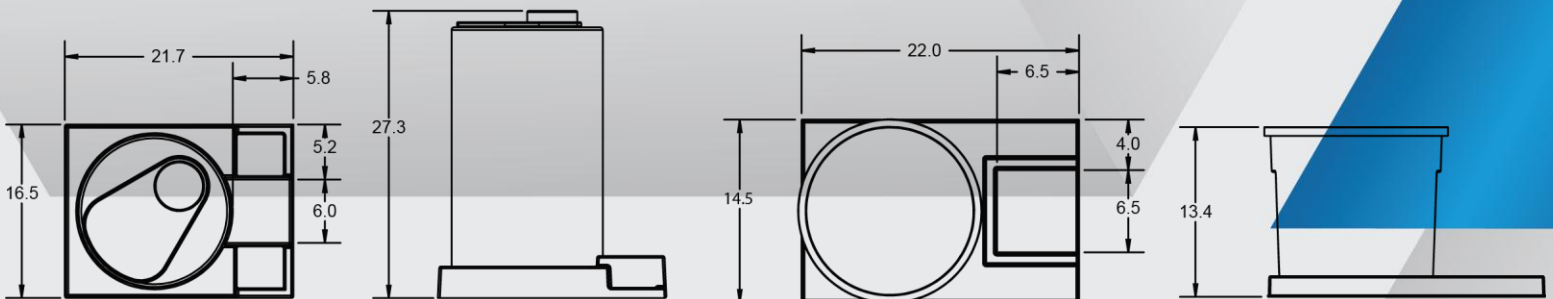
Custom Engineered Designs – Pre-Engineered Systems



Pre-Engineered Systems

Pulsafeeder's Pre-Engineered Systems are designed to provide complete chemical feed solutions for all electronic metering applications. From stand alone simplex pH control applications to full-featured, redundant sodium hypochlorite disinfection metering, these rugged fabricated assemblies offer turn-key simplicity and industrial-grade durability. The UV-stabilized, high-grade HDPE frame offers maximum chemical compatibility and structural rigidity. Each system is factory assembled and hydrostatically tested prior to shipment.

Dimensions



27101 Airport Road
Punta Gorda, FL 33982
Phone: ++1(941) 575-3800
Fax: ++1(941) 575-4085

www.pulsatron.com



An ISO 9001 Certified Company

TSF001 I14

