

PulsaPro & Pulsa Series Petrochemical Pumps

**API
STD 675**

**ATEX Certified
API 675 Compliant
CE
NSF/ANSI/61**

**PRESSURE UP TO
5000 psi***

PROVEN PUMPS FOR PETROCHEMICAL PROCESSES

The four most common chemical metering pump applications in chemical manufacturing plants include: • Dosing precise volumes of chemicals to make products • Pre-treating the process water to boost quality and efficiency • Dosing anti-scaling chemicals to clean and protect plant infrastructure • Post-treatment of the wastewater prior to disposal.

For high pressure injection of hydrocarbons, catalysts, peroxide, hexane or where process chemicals are flammable and atmospheres are hazardous, PulsaPro hydraulically actuated diaphragm metering pumps can provide the dependability and safety you require.

- Accurate metering of hazardous and non-hazardous chemicals
- Double diaphragm and leak detection available
- Custom configuration to tailor your application

* Up to 5000 psi with metal diaphragm and for select flows.

PULSAPRO FEATURES & BENEFITS

- Full motion stroke length control yields 0-100% linear flow adjustment over a 10:1 turndown range at +/- 0.5% accuracy from set point
- Unique 3 valve hydraulic management system makes the PulsaPro pump resilient to system upset
- Hydraulic performance valve maintains optimum diaphragm position and allows low NPIP of 5 psi (0.31 bar)
- Push-to-prime valve allows quick manual priming of the hydraulic system in addition to automatic air bleeding
- Externally adjustable hydraulic by-pass valve protects against over-pressurization
- Four bolt tie bar design provides ultimate resistance to piping moments and forces
- Three component check valves for controlled fluid displacement, assuring reliable hydraulic operation

OPTIONS FOR PULSAPRO AND PULSA SERIES

- Multiplexing
- NEMA 7 explosion proof stroke controllers suitable for Division 1 or Division 2 areas
- Special Materials

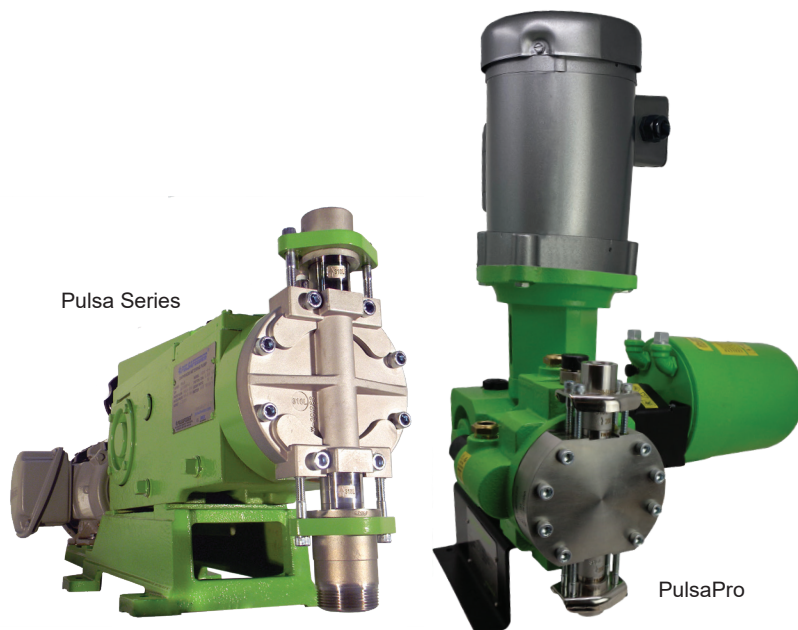
PYROPHORIC SERVICE CONFIGURATIONS

- Special reagent head and check valve designs to ensure 100% leak free assembly
- Monoblock design to eliminate joints/ possible leak paths
- Double diaphragm design with hydraulic actuation and leak detect
- Nitrogen blanketing prevents pyrophoric liquid from exposure to air in the event of a rupture
- Double diaphragm design with hydraulic actuation and leak detect
- When maintenance is required, integrated nitrogen fittings allow for nitrogen to be flushed into diaphragms to remove traces of pyrophoric liquid trapped between two diaphragms

PULSA FEATURES & BENEFITS

- Full motion stroke length control yields 0-100% linear flow adjustment over a 10:1 turndown range
- Hydraulically balanced diaphragm for long life and reduced service costs
- Proven hydraulic management system assures consistent performance and rapid recovery from system upsets
- Material options for safety, durability and chemical compatibility
- Epoxy coating resists corrosion from atmospheric contaminants
- 7660 & 8480 -Sealed drive protects against atmospheric contamination and assures long service life
- Remote head capabilities, metal diaphragms for high temperatures

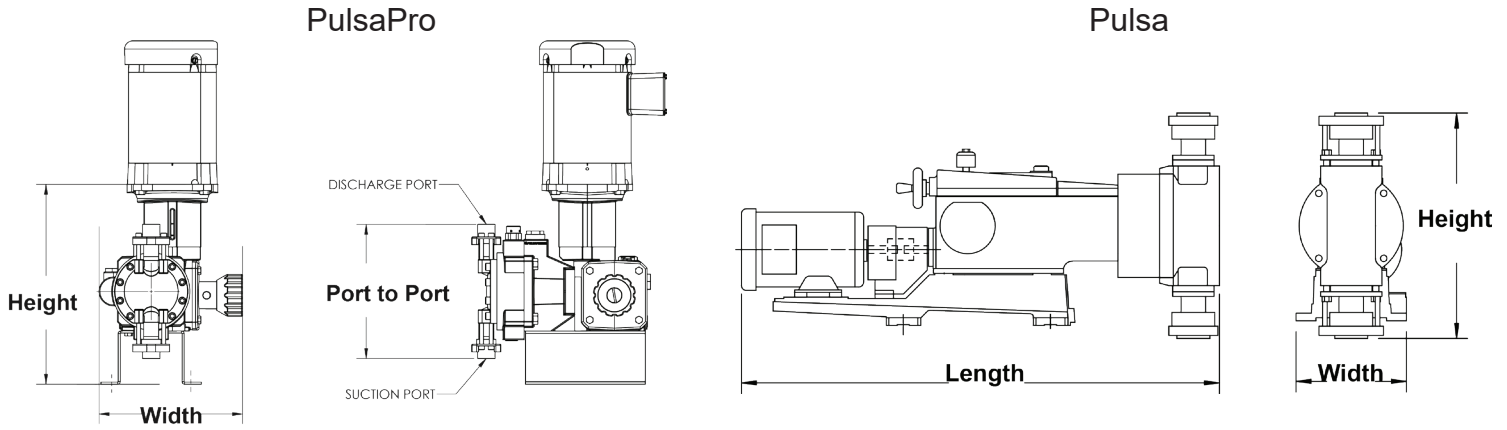
Depend on Pulsafeeder when stringent testing and material traceability is required.



PULSAFEEDER®
ENGINEERED PRODUCTS

There's a direct correlation between the efficiency of the refinery and the cleanliness of the water used.

Technical Information

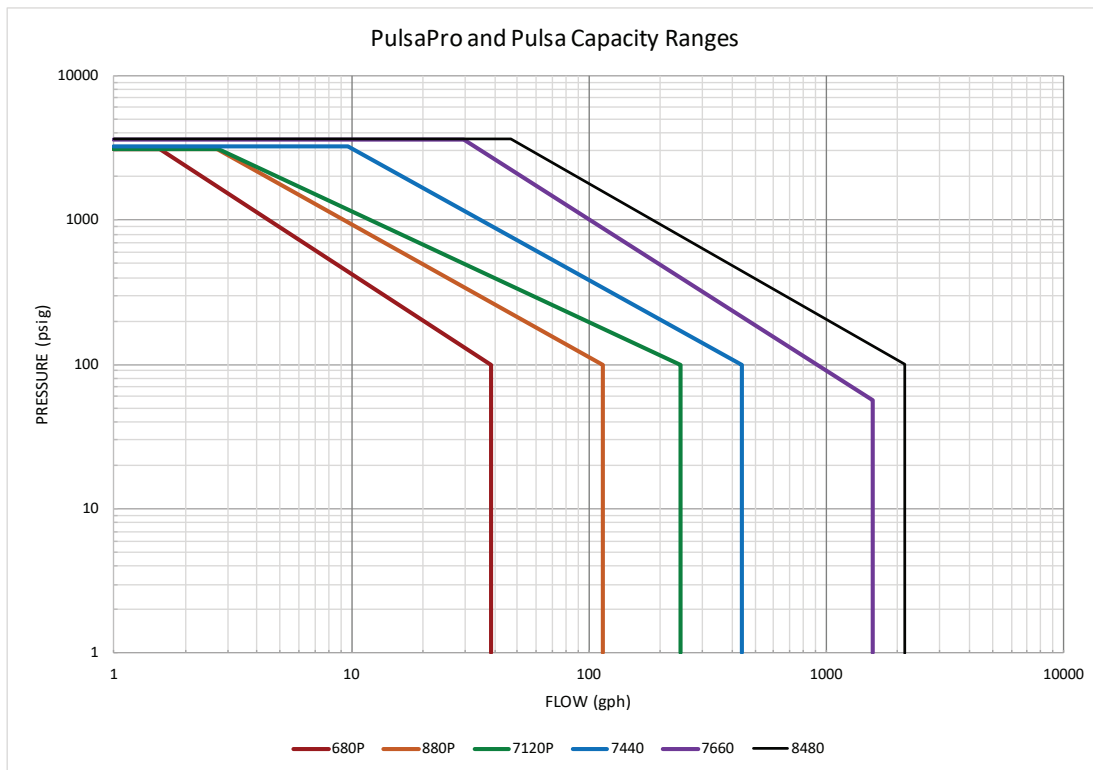


Pump Family	Model	Nominal Flow Up To (60 Hz)		Pressure Up To		Port-to-Port (width - inches) ¹		Length (inches)	Width (inches)	Height ² (inches)	Motor Mount ³	Fluid Temp °F (°C) max ⁴	Wt ² (approx.) lbs (kg)
		gph	lph	psi	bar	npt	150#						
PulsaPro	PP680	38	144	3100	214	16.37	8.0		9.29	13.59 / 12.11	56C-145TC	250 (121)	95 (43)
PulsaPro	PP880	115	435	3100	214	16.37	8.0		9.29	13.59 / 12.11	56C-145TC	250 (121)	95 (43)
PulsaPro	PP7120	243	920	3100	214	16.37	8.0		11.12	15.45 / 13.98	56C-145TC, 184TC	250 (121)	110 (50)
Pulsa	7440	440	1667	3200	221	17	18-25	38	9	17	56C-145TC	180 (82)	310 (141)
Pulsa	7660	1734	6563	3625	250	17	18-25	48	15	17	143-145TC	250 (121)	600 (272)
Pulsa	8480	2292	8625	3625	250	21	17-30	61	18	21	184TC - 215TC	250 (121)	950 (431)

1 - NPT or Flanged.
2 - Less motor.

3 - NEMA motor frames shown. IEC Motor frames available.
4 - Pulsa Series only: Max 700F (371C) with special diaphragms and remote heads.

Dimensions provided are for reference only.
Visit www.pulsa.com for certified dimensional drawing.



Pulsafeeder, Inc.
2883 Brighton Henrietta Town Line Rd
Rochester, NY 14623
Phone: +1 (585) 292-8000
pulsa@idexcorp.com | pulsa.com

Contact your local representative:
pulsa.com/find-a-rep