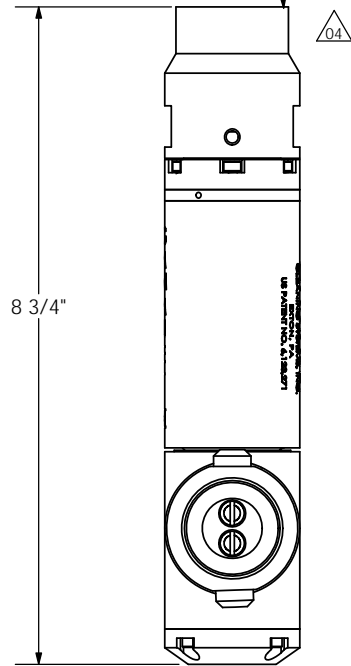
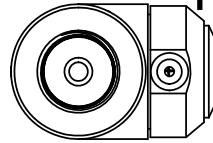


ALTERNATE CONFIGURATION:
SANITARY INLET COLLAR

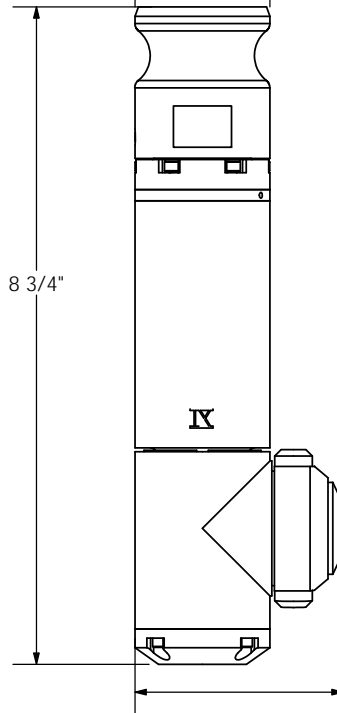
1-1/2" BUTT WELD
SANITARY INLET COLLAR



8 3/4"

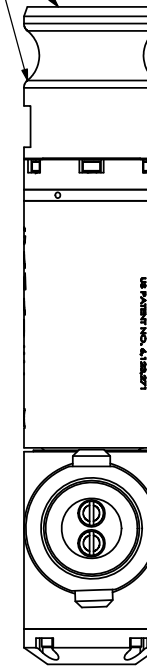


Ø 1 13/16"



8 3/4"

Combo 3/4" Female NPT &
1-1/4" Camlock Adapter Inlet



REVISIONS TABLE

DRAWN BY	DATE	REV.	DESCRIPTION
BFG	08/22/03	01	NEW DRAWING
BFG	08/28/03	02	CHANGED NOZZLE SIZE RANGE
BFG	02/13/06	03	CHANGED NOZZLE SIZE RANGE AND OPERATING CONDITION RANGE
CM	06JAN14	04	ADD SANITARY INLET COLLAR AS ALTERNATE CONFIGURATION.

Notes:

- 316 SS, 18-8 Fasteners, Plastics, and Elastomers
- Weight: 5 lbs.
- Nozzle Sizes: Range from 0.070" to 0.225"
- Flow Range: 4 to 35 GPM
- Pressure Range: 50 to 1000 PSIG
- Min. Full Wash Cycle: 4 minutes.
- Clearance: Min: 2.80", Fixed Centerline: 3.78"

THIS DRAWING IS THE PROPERTY OF ALFA LAVAL REPRODUCTIONS AND USE OTHER THAN BORROWER'S AGREEMENT IS PROHIBITED. THIS DOCUMENT SHALL NOT BE LENT OR DISPOSED OF DIRECTLY OR INDIRECTLY NOR USED FOR ANY PURPOSE OTHER THAN THAT WHICH IS SPECIFICALLY FURNISHED.		DIMENSIONS ARE IN INCHES DIMENSIONS INTERPRETED PER ASME 14.5M-1994 TOLERANCES: .X ±1/16 .XX ±0.010 .XXX ±0.005 ANGLE ±0.5°		Alfa Laval	
		DRAWN BY BFG		DRAWN DATE 22AUG13	
APPROVED BY BFG		APPROVED DATE 22AUG13		DESCRIPTION CUTSHEET GJ 9	
SIZE A		SCALE 1:2.5		FINISH N/A	
MATERIAL SEE NOTES		DWG. NO. GJ 9-1000-CS		REV 04 SHEET 1/1	