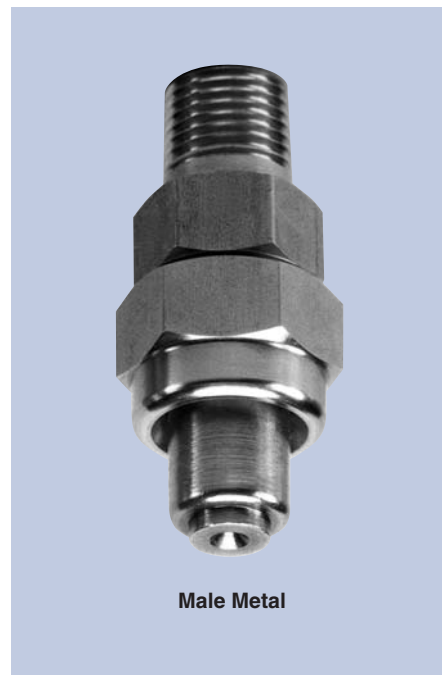


CW



Male Metal

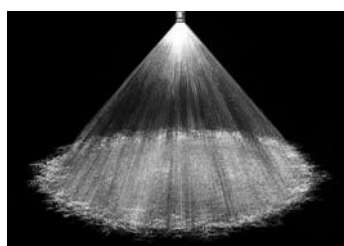
Low Flow

DESIGN FEATURES

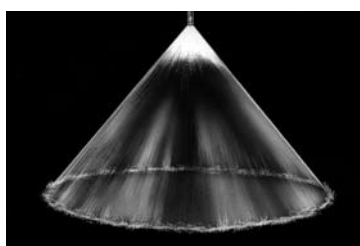
- Standard 3-piece construction
- Optional 50- or 100-mesh strainer (refer to page 119 for additional information)
- Male and female connections
- Interchangeable spray tips

SPRAY CHARACTERISTICS

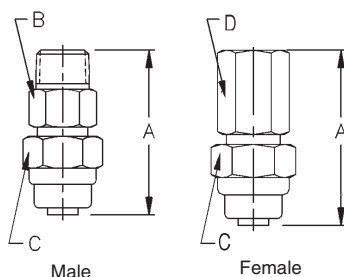
Spray patterns: Full Cone (F).
 For Hollow Cone (H), see page 44.
Spray angles: 80° and 120°
Flow rates: 0.424 to 8.39 l/min



Full Cone 80° (F)



Hollow Cone 80° (H)



Male

Female

Dimensions are approximate. Check with BETE for critical dimension applications.

CW Flow Rates and Dimensions

Full Cone, 80° and 120° Spray Angles, 1/8" to 3/8" Pipe Sizes, BSP or NPT

Male or Female Pipe Size	Nozzle Number	K Factor	LITERS PER MINUTE @ BAR								Approx. Orifice Dia.(mm)	Male or Female Pipe Size	Dimensions (mm)				Wt. (g) Metal
			0.5 bar	0.7 bar	1 bar	2 bar	3 bar	5 bar	10 bar	15 bar			A	B	C	D	
1/8 or 1/4 or 3/8	CW25-F	0.587	0.424	0.497	0.587	0.814	0.984	1.25	1.73	2.10	1.14	1/8-1/4	52.3	17.5	20.6	17.3	71
	CW50-F	1.17	0.848	0.993	1.17	1.63	1.97	2.50	3.47	4.19	1.37						
	CW75-F	1.76	1.27	1.49	1.76	2.44	2.95	3.75	5.20	6.29	1.60	3/8	52.3	17.5	20.6	20.6	
	CW100-F	2.35	1.70	1.99	2.35	3.25	3.94	5.01	6.93	8.39	2.18						

$$\text{Flow Rate (l/min)} = K (\text{bar})^{0.47}$$

Standard Materials: Brass, 303 Stainless Steel, and 316 Stainless Steel.

Spray angle performance varies with pressure. Contact BETE for specific data on critical applications.

TO ORDER: specify pipe size, connection type, nozzle number, spray angle, and material.



HOLLOW CONE

CW

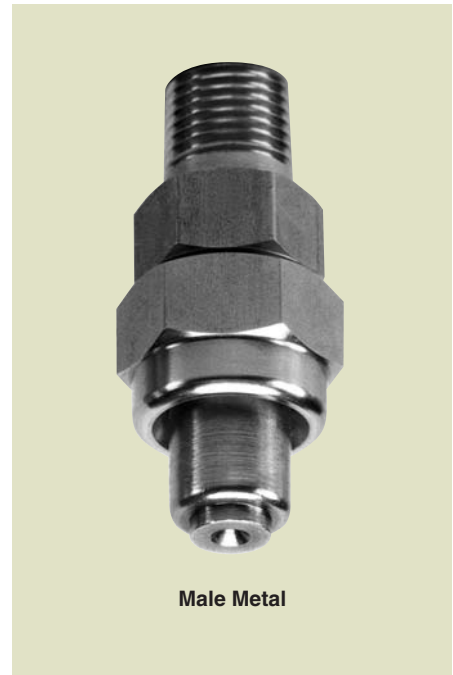
Low Flow

DESIGN FEATURES

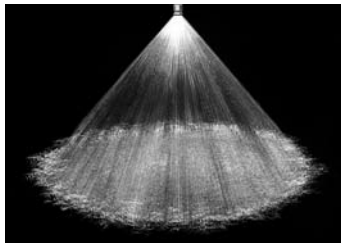
- Standard 3-piece construction
- Optional 50- or 100-mesh strainer (refer to page 119 for additional information)
- Protective cover available
- Male and female connections
- Interchangeable spray tips

SPRAY CHARACTERISTICS

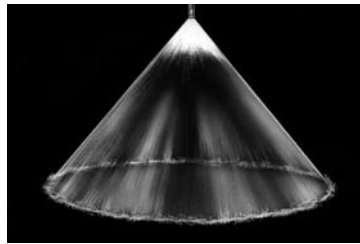
Spray patterns: Hollow Cone (H)
For Full Cone, see page 28
Spray angles: 80° and 120°
Flow rates: 0.424 to 8.39 l/min



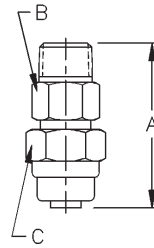
Male Metal



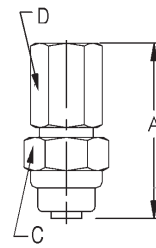
Full Cone 80° (F)



Hollow Cone 80° (H)



Male



Female

Dimensions are approximate. Check with BETE for critical dimension applications.

CW Flow Rates and Dimensions

Hollow Cone, 80° and 120° Spray Angles, 1/8" to 3/8" Pipe Sizes, BSP or NPT

Male or Female Pipe Size	Nozzle Number	K Factor	LITERS PER MINUTE @ BAR								Approx. Orifice Dia.(mm)	Male or Female Pipe Size	Dimensions (mm)				Wt. (g) Metal
			0.5 bar	0.7 bar	1 bar	2 bar	3 bar	5 bar	10 bar	15 bar			A	B	C	D	
1/8 or 1/4 or 3/8	CW25-H	0.587	0.424	0.497	0.587	0.814	0.984	1.25	1.73	2.10	1.14	1/8-1/4	52.3	17.5	20.6	17.3	71
	CW50-H	1.17	0.848	0.993	1.17	1.63	1.97	2.50	3.47	4.19	1.37						
	CW75-H	1.76	1.27	1.49	1.76	2.44	2.95	3.75	5.20	6.29	1.60	3/8	52.3	17.5	20.6	20.6	
	CW100-H	2.35	1.70	1.99	2.35	3.25	3.94	5.01	6.93	8.39	2.18						

$$\text{Flow Rate (l/min)} = K (\text{bar})^{0.47}$$

Standard Materials: Brass, 303 Stainless Steel, and 316 Stainless Steel

Spray angle performance varies with pressure. Contact BETE for specific data on critical applications.

TO ORDER: specify pipe size, connection type, nozzle number, spray angle, and material.