

Series 10



- **One piece unibody design**
- **Available in stainless steel only**
- **Reduced port 2000/1500 psi (by size)**
- **Threaded ends only**
- **See back for dimensions and pressure/temperature chart**



Series 10, 20 and 21C

For general industrial and
chemical applications

Investment cast

Economical compact design

Blowout proof stem

Primarily for manual use

Series 10/20/21C

Series 20



- **Two piece design**
- **Available in stainless steel only**
- **Full port 1000 psi**
- **Threaded ends only**
- **See back for dimensions and pressure/temperature chart**

SAMPLE PART #

20-TH-0100-XXX

Valve Series

Threaded ends

Valve Size

Seat Material

Special Designation

Additional
Special Designation

Series 21C



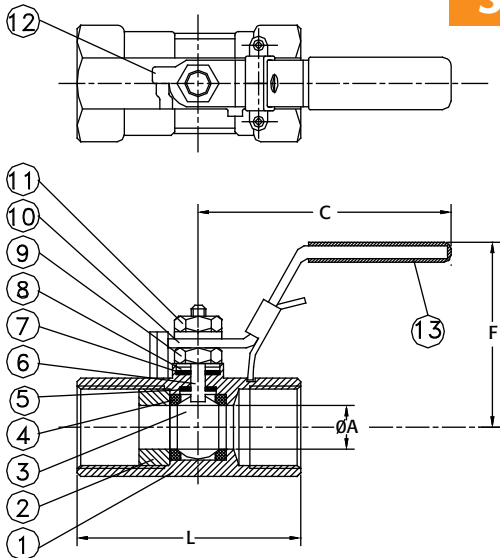
- **Two piece design**
- **Available in carbon steel only**
- **Reduced port 2000/1500 psi**
- **Threaded ends only**
- **See back for dimensions and pressure/temperature chart**



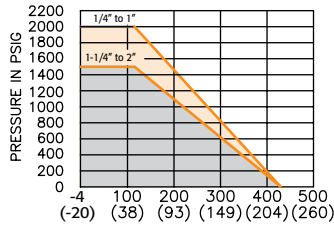
9955 International Blvd.
Cincinnati, Ohio 45246
www.atcontrols.com

PHONE (513) 247-5465
FAX (513) 247-5462
sales@atcontrols.com

Series 10



TEMPERATURE FOR RTFE SEATS °F (°C)



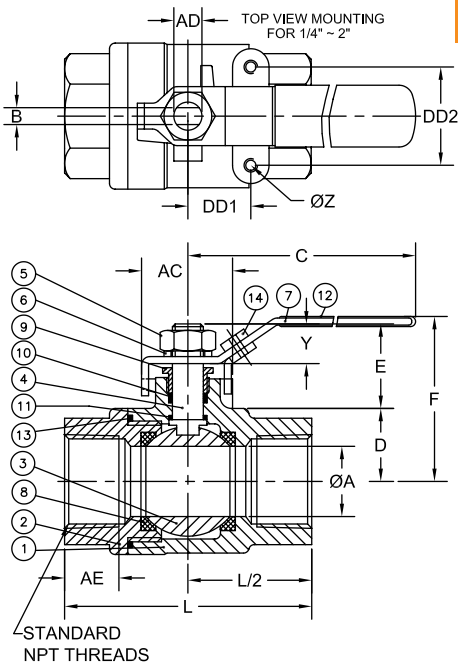
DIMENSIONS (IN)

SIZE	A	C	F	L
1/4"	0.36	4.29	1.85	2.30
3/8"	0.36	4.29	1.85	2.30
1/2"	0.36	3.86	2.28	2.60
3/4"	0.49	3.86	2.40	2.76
1"	0.59	4.12	2.51	3.15
1-1/4"	0.79	4.12	2.77	3.74
1-1/2"	0.98	6.15	2.85	3.98
2"	1.26	6.15	3.08	4.49

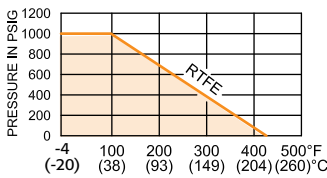
MATERIALS LIST

NO.	PART NAME	MATERIAL	QTY.
1	Body	CF8M	1
2	Insert	SS316	1
3	Ball	SS316	1
4	Seat	RTFE	2
5	Seat Seal	PTFE	1
6	Stem	SS316	1
7	Packing	PTFE	1
8	Gland Washer	SS304	1
9	Stem Nut	SS304	1
10	Spring Washer	SS304	1
11	Handle Nut	SS304	1
12	Lever Handle	SS304	1
13	Handle Sleeve	Vinyl	1

Series 20



PRESSURE VS. TEMPERATURE FOR 1/4" TO 3"



DIMENSIONS (IN)

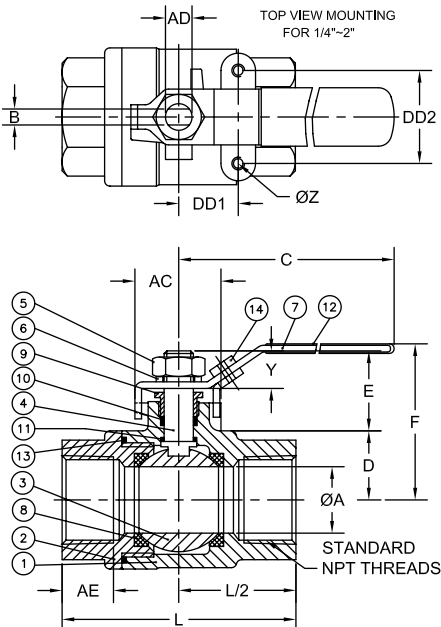
SIZE	A	B	C	D	E	F	L	Y	Z	AC	AD	AE	DD1	DD2	W3	W4	LBS
1/4"	0.45	0.197	3.94	0.59	0.88	1.97	2.17	0.39	10-24UNC	1.03	0.51	0.59	0.500	1.122	N/A	N/A	0.51
3/8"	0.49	0.197	3.94	0.60	0.88	1.97	2.17	0.39	10-24UNC	1.02	0.51	0.59	0.500	1.122	N/A	N/A	0.51
1/2"	0.59	0.256	5.12	0.71	1.01	2.36	2.56	0.43	10-24UNC	1.18	0.57	0.63	0.500	1.122	N/A	N/A	0.84
3/4"	0.79	0.256	5.12	0.81	1.01	2.52	2.94	0.43	10-24UNC	1.18	0.57	0.67	0.882	1.378	N/A	N/A	1.15
1"	0.98	0.315	6.50	0.99	1.24	2.80	3.46	0.53	10-24UNC	1.38	0.43	0.80	0.882	1.378	N/A	N/A	2.03
1-1/4"	1.26	0.315	6.50	1.20	1.24	3.07	4.02	0.53	1/4"-20UNC	1.38	0.43	0.87	1.000	1.500	N/A	N/A	2.91
1-1/2"	1.50	0.382	7.48	1.58	1.38	3.39	4.33	0.61	1/4"-20UNC	1.64	0.55	0.89	1.000	1.500	N/A	N/A	4.19
2"	1.97	0.382	7.48	1.85	1.20	3.74	4.92	0.61	1/4"-20UNC	1.58	0.55	1.02	1.000	1.500	N/A	N/A	6.88
2-1/2"	2.56	0.472	9.84	2.41	2.13	5.12	6.32	0.96	1/4"-20UNC	2.09	0.75	1.22	N/A	N/A	2.323	2.402	14.33
3"	3.15	0.472	9.84	2.92	2.17	5.83	7.01	0.96	1/4"-20UNC	2.09	0.75	1.34	N/A	N/A	2.756	2.795	20.50

MATERIALS LIST

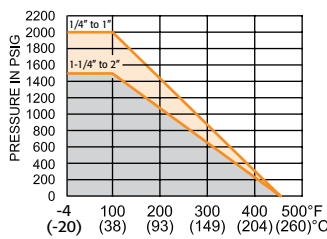
NO.	PART NAME	MATERIAL	QTY.
1	Body	CF8M	1
2	End Cap	CF8M	1
3	Ball	SS316	1
4	Stem	SS316	1
5	Stem Nut	SS304	1
6	Lockwasher	SS304	1
7	Handle	SS304	1
8	Seat	RTFE	2
9	Gland Nut	SS304	1
10	V-Ring Packing	PTFE	§
11	Thrust Washer	PTFE	1
12	Handle Sleeve	Vinyl	1
13	Joint Gasket	PTFE	1
14	Locking Device	SS304	1

§ Regular 1 pc. stem packing is used for 1/4" and 3/8"
1 set of v-ring packing consists of 2 pcs. of v-ring for 1/2" - 3"

Series 21C



PRESSURE VS. TEMPERATURE FOR RTFE SEATS



DIMENSIONS (IN)

SIZE	A	B	C	D	E	F	L	Y	Z	AC	AD	AE	DD1	DD2	(LBS)
1/4"	0.37	0.197	4.16	0.59	0.71	1.99	2.01	0.39	10-24	1.03	0.31	0.38	0.51	1.12	0.48
3/8"	0.46	0.196	4.11	0.59	0.68	1.94	2.00	0.31	10-24	1.03	0.30	0.41	0.51	1.12	0.48
1/2"	0.49	0.194	4.02	0.60	0.84	2.13	2.37	0.36	10-24	1.03	0.30	0.50	0.51	1.12	0.62
3/4"	0.59	0.255	5.15	0.71	0.99	2.37	2.74	0.42	10-24	1.19	0.37	0.54	0.87	1.37	0.99
1"	0.79	0.256	5.29	0.86	0.97	2.19	3.29	0.46	10-24	1.18	0.37	0.71	0.86	1.37	1.46
1-1/4"	0.98	0.314	6.67	0.99	1.25	2.84	3.54	0.55	10-24	1.33	0.43	0.68	0.87	1.37	2.38
1-1/2"	1.26	0.313	6.64	1.23	1.18	2.53	4.11	0.56	1/4-20	1.34	0.43	0.81	0.98	1.49	3.28
2"	1.50	0.381	7.51	1.56	1.20	3.43	4.63	0.60	1/4-20	1.50	0.55	0.81	1.01	1.49	5.11

MATERIALS LIST

NO.	PART NAME	MATERIAL	QTY.
1	Body	WCB	1
2	EndCap	WCB	1
3	Ball	SS316	1
4	Stem	SS316	1
5	Stem Nut	SS304	1
6	*Lockwasher	SS304	1
7	Handle	SS304	1
8	Seat	RTFE	2
9	Gland Nut	SS304	1
10	V-Ring Packing	PTFE	§
11	Thrust Washer	PTFE	1
12	Handle Sleeve	Vinyl	1
13	Joint Gasket	PTFE	1
14	*Locking Device	SS304	1

§ Regular 1 pc. stem packing is used for 1/4" and 3/8"
1 set of v-ring packing consists of 2 pcs. of v-ring for 1/2" and 2"
*Lockwasher on valves except of 1/4" and 3/8"