



Triac Series 55 Ball Valves feature a high quality investment cast body and ends. They are available 1/4"– 4" with threaded, socket weld and butt weld ends. Superior leak protection is accomplished by using a live-loaded packing system including Belleville washers and double "V" ring packing.

VALVE SIZE	VALVE Cv
1/4"	7
3/8"	8
1/2"	15
3/4"	40
1"	70
1-1/4"	110
1-1/2"	250
2"	400
2-1/2"	600
3"	1100
4"	2000

Easy to Automate!

See automated data sheets for pre-sized assemblies



Pneumatic



Electric



Series 55 3-Piece Design

Sizes 1/4" - 4"

Full Port Design

800/1000 psi WOG (by size)

Economical 3-pc design

Available in 316SST or WCB

Threaded, Socket Weld, or Butt Weld Ends

Live Loaded Packing System

ISO 5211 Actuator Mounting Pad

Blowout Proof Stem w/ Dual Anti-Static Devices

RTFE Seats Standard

Lockable Manual Handle

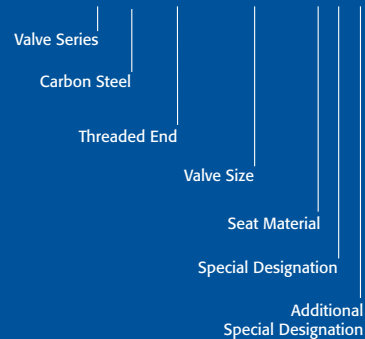
STANDARDS

Design	ANSI/ASME B16.34
End Connections	ASME B1.20.1, B16.11
Pressure Testing	API 598
Mounting	ISO 5211
Marking System for Valves	MSS SP-25
Material Certification	EN 10204-3.1 MTR
Quality Assurance	ISO 9001:2008

HOW TO ORDER MANUAL VALVES

SAMPLE PART #

55C-TH-0300-XXX



See part number matrix for itemized options



9955 International Blvd.
Cincinnati, Ohio 45246
www.atcontrols.com

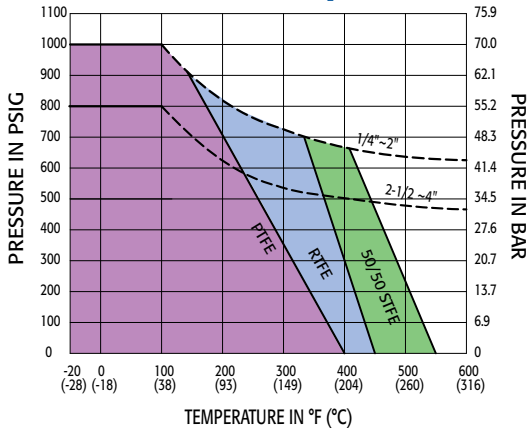
PHONE (513) 247-5465
FAX (513) 247-5462
sales@atcontrols.com

Series 55

Economical Full Port 3-Piece Ball Valve

ISO 5211 Mounting Pad 1000 & 800 psi WOG (by size) 1/4" to 4"

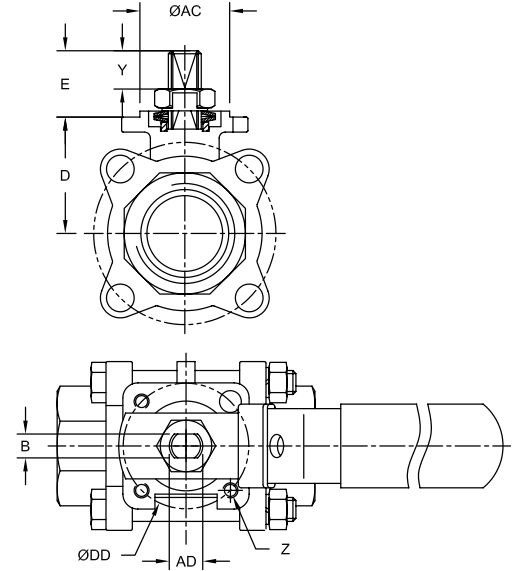
Pressure vs. Temperature



Break Away Torque for RTFE Seats

SIZE	IN-LBS.
1/4"	62
3/8"	62
1/2"	62
3/4"	80
1"	141
1-1/4"	150
1-1/2"	257
2"	319
2-1/2"	522
3"	691
4"	1151

FOR OTHER SEAT MATERIAL CONSULT FACTORY

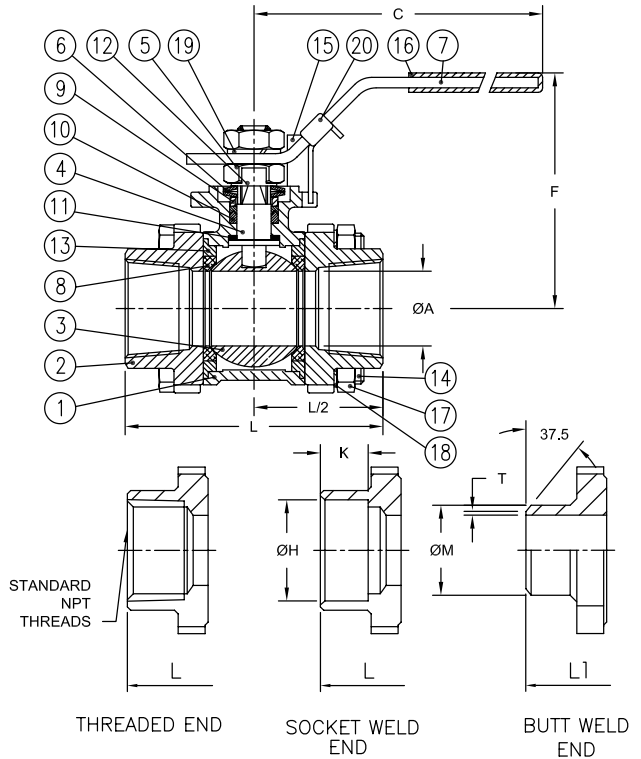


MATERIALS LIST

NO.	PART NAME	QTY.	STAINLESS STEEL		CARBON STEEL	
			ASTM A351 GRADE CF8M	ASTM A216 GRADE WCB	ASTM A351 GRADE CF8M	ASTM A216 GRADE WCB
1	BODY	1	ASTM A351 GRADE CF8M	ASTM A216 GRADE WCB		
2	TH END CAP	2	ASTM A351 GRADE CF8M	ASTM A216 GRADE WCB		
2	BW/SW END CAP	2	ASTM A351 GRADE CF3M	ASTM A216 GRADE WCB		
3	BALL	1	1/4" THRU 3/8" ASTM A276 SS316	1/4" THRU 3/8" ASTM A276 SS316		
3	BALL	1	1/2" THRU 4" ASTM A351 GR CF8M	1/2" THRU 4" ASTM A351 GR CF8M		
4	STEM	1	ASTM A276 SS316	ASTM A276 SS316		
5	STEM NUT	2	AISI 304	AISI 304		
6	BELLEVILLE WASHER	2	AISI 301	AISI 301		
7	HANDLE	1	AISI 304	AISI 304		
8	SEAT	2	RTFE	RTFE		
9	GLAND BUSHING	1	AISI 304	AISI 304		
10	GLAND PACKING	1 [^]	PTFE	PTFE		
11	THRUST WASHER	1	RTFE	RTFE		
12	LOCK SADDLE	1	AISI 304	AISI 304		
13	JOINT GASKET	2	PTFE	PTFE		
14	BODY BOLT/STUD	*	ASTM A193 GRADE B8	**		
15	STOP BOLT	1	AISI 304	AISI 304		
16	HANDLE SLEEVE	1	VINYL	VINYL		
17	BODY NUT	#	ASTM A194 GRADE 8	##		
18	LOCK WASHER	#	AISI 304	AISI 304		
19	STEM WASHER	1	AISI 304	AISI 304		
20	HANDLE LOCK	1	AISI 304	AISI 304		

[^] PACKING SET
 * 1/4" THRU 3/8" QTY = 4 PCS
 # 4" QTY = 6 PCS
 # 1/4" THRU 2" QTY = 4 PCS
 # 2-1/2" THRU 3" QTY = 8 PCS
 # 4" QTY = 12 PCS

** 1/4" THRU 1-1/2" ASTM A193 GRADE B8
 ** 2" THRU 4" ASTM A193 GRADE B7
 ## 1/4" THRU 1-1/2" ASTM A194 GRADE 8
 ## 2" THRU 4" ASTM A194 GRADE 2H



DIMENSIONS (IN)

SIZE	A	B	C	D	E	F	H	K	L	L1	M	T	Y	Z	AC	AD	DD	ISO 5211	LBS
1/4"	0.46	0.256	5.12	1.15	0.78	2.95	0.56	0.39	2.51	2.47	0.64	0.06	0.29	M5	0.98	0.374	1.417	F03	1.4
3/8"	0.50	0.256	5.12	1.15	0.78	2.95	0.69	0.39	2.51	2.47	0.69	0.06	0.29	M5	0.98	0.374	1.417	F03	1.4
1/2"	0.59	0.256	5.12	1.15	0.78	2.95	0.86	0.39	2.59	2.59	0.89	0.06	0.29	M5	0.98	0.374	1.417	F03	1.4
3/4"	0.79	0.256	5.12	1.28	0.69	3.03	1.07	0.51	3.00	3.00	1.08	0.06	0.25	M5	0.98	0.374	1.417	F03	1.7
1"	0.98	0.315	6.30	1.53	0.81	3.35	1.33	0.51	3.39	3.39	1.34	0.06	0.48	M5	1.18	0.433	1.654	F04	2.4
1-1/4"	1.26	0.315	6.30	1.59	0.96	3.62	1.69	0.51	4.05	4.05	1.68	0.06	0.43	M5	1.18	0.433	1.654	F04	3.7
1-1/2"	1.50	0.382	7.28	1.82	1.22	4.02	1.93	0.51	4.70	4.70	1.91	0.06	0.54	M6	1.38	0.551	1.969	F05	5.5
2"	1.97	0.382	7.28	2.15	1.22	4.33	2.41	0.63	5.17	5.17	2.38	0.06	0.54	M6	1.38	0.551	1.969	F05	8.0
2-1/2"	2.56	0.472	10.24	2.81	1.68	5.91	2.91	0.63	6.46	6.46	3.00	0.08	0.91	M8	2.17	0.748	2.756	F07	16.2
3"	3.15	0.472	10.24	3.33	1.55	6.38	3.54	0.63	7.19	7.19	3.54	0.08	0.74	M10	2.76	0.748	4.016	F10	23.5
4"	3.94	0.591	11.42	4.19	2.06	7.48	4.55	0.79	9.28	9.30	4.57	0.14	1.35	M10	2.76	0.945	4.016	F10	43.7

A-T Controls reserves the right to change product designs and technical/dimensional specifications without notice.



9955 International Blvd.
 Cincinnati, Ohio 45246
 www.atcontrols.com

PHONE (513) 247-5465
 FAX (513) 247-5462
 sales@atcontrols.com



Pneumatic Double Acting Automated Ball Valve Package

Series 55
3-Piece Ball Valve

Sizes 1/4" - 4"

Full Port Design

Available in 316SST or WCB

TH, SW, or BW Ends

800/1000 psi WOG

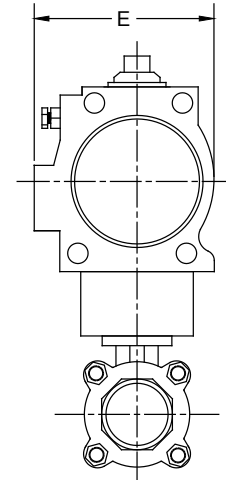
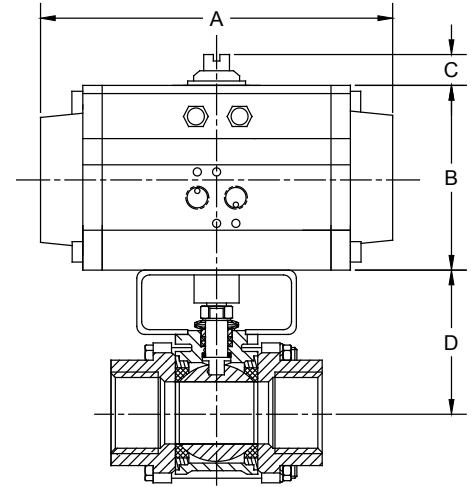
Live Loaded Packing System

Blowout Proof Stem w/ Dual
Anti-Static Devices

RTFE Seats Standard

STANDARDS

DESIGN	ANSI/ASME B16.34
END CONNECTIONS	ASME B1.20.1, B16.11
PRESSURE TESTING	API 598
MOUNTING	ISO 5211
MARKING SYSTEM FOR VALVES	MSS SP-25
MATERIAL CERTIFICATION	EN 10204-3.1 MTR
QUALITY ASSURANCE	ISO 9001:2008



DIMENSIONS (IN)

VALVE SIZE	A	B	C	D	E	VALVE Cv
1/4"	5.98	2.76	0.79	2.63	2.58	7
3/8"	5.98	2.76	0.79	2.63	2.58	8
1/2"	5.98	2.76	0.79	2.63	2.58	15
3/4"	5.98	2.76	0.79	2.76	2.58	40
1"	7.95	3.43	0.79	3.09	3.29	70
1-1/4"	7.95	3.43	0.79	3.15	3.29	110
1-1/2"	9.29	4.49	0.79	3.39	4.41	250
2"	9.29	4.49	0.79	3.72	4.41	400
2-1/2"	9.29	4.49	0.79	5.43	4.41	600
3"	9.29	4.49	0.79	5.95	4.41	1,100
4"	11.46	5.28	0.79	6.81	5.2	2,000

DIMENSIONS SHOWN ARE FOR ASSEMBLIES SIZED FOR 80 PSI SUPPLY

SERIES 55 3-Piece

SIZED FOR 80 psi AIR SUPPLY	
SIZE	MODEL
1/4"	55-TX-025/TR1D-XX
3/8"	55-TX-038/TR1D-XX
1/2"	55-TX-050/TR1D-XX
3/4"	55-TX-075/TR1D-XX
1"	55-TX-100/2R2D-XX
1-1/4"	55-TX-125/2R2D-XX
1-1/2"	55-TX-150/2R3D-XX
2"	55-TX-200/2R3D-XX
2-1/2"	55-TX-250/2R3D-XX
3"	55-TX-300/2R3D-XX
4"	55-TX-400/2R5D-XX

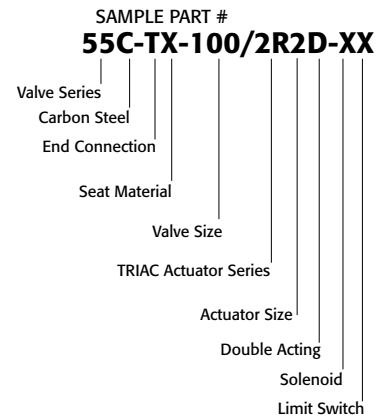
SIZED FOR 60 psi AIR SUPPLY	
SIZE	MODEL
1/4"	55-TX-025/TR1D-XX
3/8"	55-TX-038/TR1D-XX
1/2"	55-TX-050/TR1D-XX
3/4"	55-TX-075/TR1D-XX
1"	55-TX-100/2R2D-XX
1-1/4"	55-TX-125/2R3D-XX
1-1/2"	55-TX-150/2R3D-XX
2"	55-TX-200/2R3D-XX
2-1/2"	55-TX-250/2R3D-XX
3"	55-TX-300/2R4D-XX
4"	55-TX-400/2R6D-XX

OPTIONS

DESCRIPTION	PART NO. SUFFIX	DESCRIPTION	PART NO. SUFFIX
NEMA 4 Solenoid	(A)	NEMA 4 Limit Switch (2) spdt	(A)
NEMA 7 Solenoid	(B)	NEMA 7 Limit Switch (2) spdt	(B)
Intrinsically Safe Solenoid	(C)	Intrinsically Safe Limit Switch	(C)

Other options available - call for details
Actuators are sized based on clean/clear fluid.

55DA-20160121
Copyright 2013 A-T Controls, Inc.



See valve part number matrix for complete part number and options.



9955 International Blvd.
Cincinnati, Ohio 45246
www.atcontrols.com
PHONE (513) 247-5465
FAX (513) 247-5462
sales@atcontrols.com



Pneumatic Spring Return Automated Ball Valve Package

Series 55 3-Piece Ball Valve

Sizes 1/4" - 4"

Full Port Design

Available in 316SST or WCB

TH, SW, or BW Ends

800/1000 psi WOG

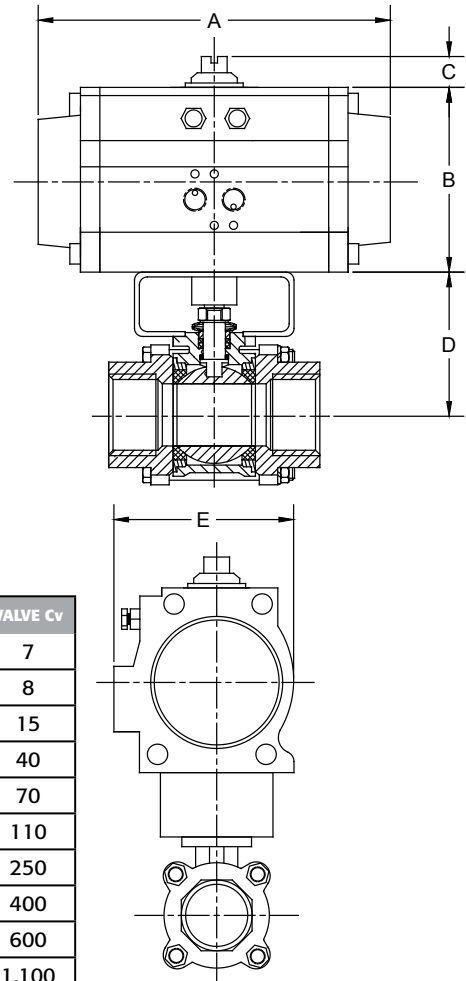
Live Loaded Packing System

Blowout Proof Stem w/ Dual
Anti-Static Devices

RTFE Seats Standard

STANDARDS

DESIGN	ANSI/ASME B16.34
END CONNECTIONS	ASME B1.20.1, B16.11
PRESSURE TESTING	API 598
MOUNTING	ISO 5211
MARKING SYSTEM FOR VALVES	MSS SP-25
MATERIAL CERTIFICATION	EN 10204-3.1 MTR
QUALITY ASSURANCE	ISO 9001:2008



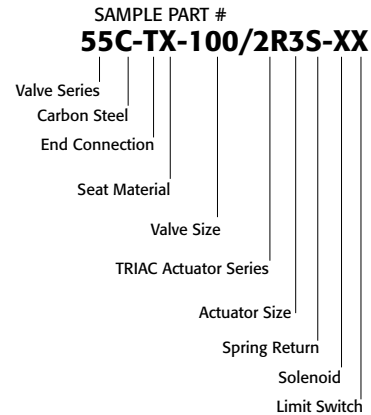
DIMENSIONS (IN)

VALVE SIZE	A	B	C	D	E	VALVE Cv
1/4"	5.98	2.76	0.79	2.63	2.58	7
3/8"	5.98	2.76	0.79	2.63	2.58	8
1/2"	5.98	2.76	0.79	2.63	2.58	15
3/4"	5.98	2.76	0.79	2.76	2.58	40
1"	7.95	3.43	0.79	3.09	3.29	70
1-1/4"	7.95	3.43	0.79	3.15	3.29	110
1-1/2"	9.29	4.49	0.79	3.39	4.41	250
2"	9.29	4.49	0.79	3.72	4.41	400
2-1/2"	9.29	4.49	0.79	5.43	4.41	600
3"	9.29	4.49	0.79	5.95	4.41	1,100
4"	11.46	5.28	0.79	6.81	5.2	2,000

DIMENSIONS SHOWN ARE FOR ASSEMBLIES SIZED FOR 80 PSI SUPPLY

SIZED FOR 80 psi AIR SUPPLY	
SIZE	MODEL
1/4"	55-TX-025/2R2S-XX
3/8"	55-TX-038/2R2S-XX
1/2"	55-TX-050/2R2S-XX
3/4"	55-TX-075/2R2S-XX
1"	55-TX-100/2R3S-XX
1-1/4"	55-TX-125/2R3S-XX
1-1/2"	55-TX-150/2R3S-XX
2"	55-TX-200/2R4S-XX
2-1/2"	55-TX-250/2R5S-XX
3"	55-TX-300/2R6S-XX
4"	55-TX-400/2R7S-XX

SIZED FOR 60 psi AIR SUPPLY	
SIZE	MODEL
1/4"	55-TX-025/2R2S-XX
3/8"	55-TX-038/2R2S-XX
1/2"	55-TX-050/2R2S-XX
3/4"	55-TX-075/2R3S-XX
1"	55-TX-100/2R3S-XX
1-1/4"	55-TX-125/2R3S-XX
1-1/2"	55-TX-150/2R4S-XX
2"	55-TX-200/2R4S-XX
2-1/2"	55-TX-250/2R5S-XX
3"	55-TX-300/2R6S-XX
4"	55-TX-400/2R7S-XX



See valve part number matrix for complete part number and options.

OPTIONS

DESCRIPTION	PART NO. SUFFIX	DESCRIPTION	PART NO. SUFFIX
NEMA 4 Solenoid	(A)	NEMA 4 Limit Switch (2) spdt	(A)
NEMA 7 Solenoid	(B)	NEMA 7 Limit Switch (2) spdt	(B)
Intrinsically Safe Solenoid	(C)	Intrinsically Safe Limit Switch	(C)

Other options available - call for details
Actuators are sized based on clean/clear fluid.
55SR-20160121
Copyright 2013 A-T Controls, Inc.



9955 International Blvd.
Cincinnati, Ohio 45246
www.atcontrols.com

PHONE (513) 247-5465
FAX (513) 247-5462
sales@atcontrols.com

SERIES 55 3-Piece



Electric

Automated Ball Valve Package

Series 55 3-Piece Ball Valve

Sizes 1/4" - 4"

Full Port Design

Available in 316SST or WCB

TH, SW, or BW Ends

800/1000 psi WOG

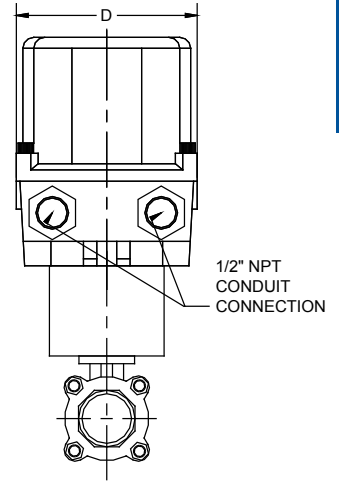
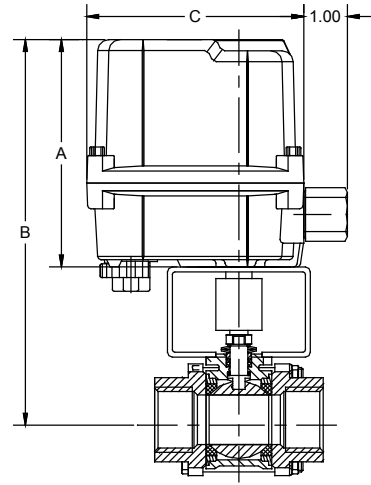
Live Loaded Packing System

Blowout Proof Stem w/ Dual
Anti-Static Devices

RTFE Seats Standard

STANDARDS

DESIGN	ANSI/ASME B16.34
END CONNECTIONS	ASME B1.20.1, B16.11
PRESSURE TESTING	API 598
MOUNTING	ISO 5211
MARKING SYSTEM FOR VALVES	MSS SP-25
MATERIAL CERTIFICATION	EN 10204-3.1 MTR
QUALITY ASSURANCE	ISO 9001:2008



DIMENSIONS (IN)

VALVE SIZE	A	B	C	D	VALVE Cv
1/4"	5.24	7.87	4.94	4.08	7
3/8"	5.24	7.87	4.94	4.08	8
1/2"	5.24	7.87	4.94	4.08	15
3/4"	5.24	8.00	4.94	4.08	40
1"	5.24	8.33	4.94	4.08	70
1-1/4"	5.24	8.38	4.94	4.08	110
1-1/2"	5.24	8.63	4.94	4.08	250
2"	5.24	8.96	4.94	4.08	400
2-1/2"	9.25	14.68	6.69	10.16	600
3"	10.55	16.5	9.02	13.31	1,100
4"	10.55	17.36	9.02	13.31	2,000

SERIES 55 3-Piece

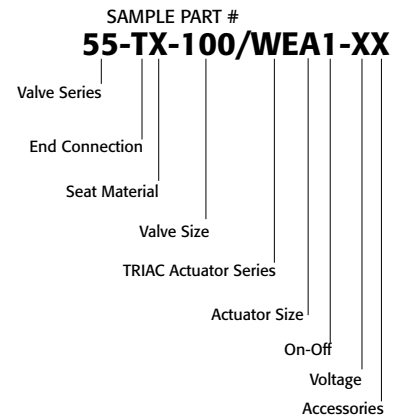
ON-OFF	
SIZE	MODEL
1/4"	55-TX-025/WEA1-XX
3/8"	55-TX-038/WEA1-XX
1/2"	55-TX-050/WEA1-XX
3/4"	55-TX-075/WEA1-XX
1"	55-TX-100/WEA1-XX
1-1/4"	55-TX-125/WEA1-XX
1-1/2"	55-TX-150/WEA1-XX
2"	55-TX-200/WEA1-XX
2-1/2"	55-TX-250/WEB1-XX
3"	55-TX-300/WEC1-XX
4"	55-TX-400/WED1-XX

MODULATING	
SIZE	MODEL
1/4"	55-TX-025/WEA2-XX
3/8"	55-TX-038/WEA2-XX
1/2"	55-TX-050/WEA2-XX
3/4"	55-TX-075/WEA2-XX
1"	55-TX-100/WEA2-XX
1-1/4"	55-TX-125/WEA2-XX
1-1/2"	55-TX-150/WEA2-XX
2"	55-TX-200/WEA2-XX
2-1/2"	55-TX-250/WEB2-XX
3"	55-TX-300/WEC2-XX
4"	55-TX-400/WED2-XX

OPTIONS
DESCRIPTION
24VAC/24VDC/220VAC
Feedback Potentiometer

NOTE: Heater and thermostat standard.
(2) auxiliary switches standard.
Actuators are sized based on clean/clear fluid.
Other options available.

55EL-20160121
Copyright 2013 A-T Controls, Inc.



See valve part number matrix for complete part number and options.



9955 International Blvd. PHONE (513) 247-5465
Cincinnati, Ohio 45246 FAX (513) 247-5462
www.atcontrols.com sales@atcontrols.com

Valve Options

Various Seat Materials

PTFE, RTFE, 50/50 STFE, 25% CTFE, Delrin, PEEK, UHMWPE, TFM-1600

Operator Options

Quarter-turn Gear Operators
Spring Return "Deadman" Handles
Oval handles, TEE Handles

Specials and Solutions

Steam Jackets
Stem Extensions
V-ported Control Valves
Multi-port Valve Solutions
Fugitive Emissions Bonnets (TSM's)
Oxygen Cleaning
Lockout Brackets
Vented Balls
"No Play" Mounting Kits

• FM Approved Valves and Assemblies



Manual and automated valve assemblies for gas burner management applications and safety shutoff



9955 International Blvd.
Cincinnati, Ohio 45246
www.atcontrols.com

PHONE (513) 247-5465
FAX (513) 247-5462
sales@atcontrols.com

Other Products

Special Seats Balls and Seal Designs



Floor Mounted Damper Drives



Fusible Link Assemblies



Lockout Mounting Kits



Special Multi-Port Valves



Steam Jacketed Valves



Limit Switches Mounted on Manual Valves



180° Actuators



Stem Extensions



Dual Valve Assemblies

