

# **PULSAFEEDER**<sup>®</sup> ENGINEERED PRODUCTS

## PULSAR Shadow<sup>®</sup>

The PULSAR Shadow<sup>®</sup> sets a new standard for the mechanically actuated diaphragm metering pump. It features rugged and reliable construction, delivering superior value. The Shadow is easy to operate and simple to maintain. The Shadow HYPOPump configuration is the ideal choice for sodium hypochlorite or other off-gassing and difficult to handle fluids. It is commonly used in water & wastewater treatment.



### Applications

sodium hypochlorite injection, disinfection, pH and odor control



### Flow

up to 170 gph (643 lph)



### Pressure

up to 305 psi (21 bar)



### Temperature

up to 150°F (65°C)



CE • ATEX



## Mechanical diaphragm metering delivers more than you expect.

### Standard materials of construction

- Wet end: 316LSS, PVC
- Diaphragm: PTFE-faced Composite
- Pump body: Aluminum
- Valve ball: 316LSS, Alumina Ceramic
- Valve gaskets: PTFE
- Valve seat: 316LSS, PVC

### Connection types

- NPT
- Raised-face Flange

### Controls

- DLC - stroke length
- DLCLM - stroke length/motor speed
- MPC - motor speed
- ECA - stroke length

### Leak detection

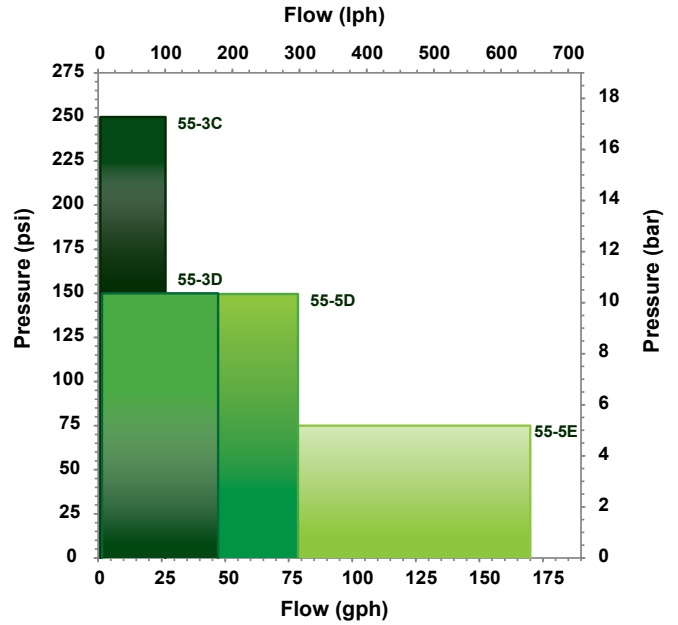
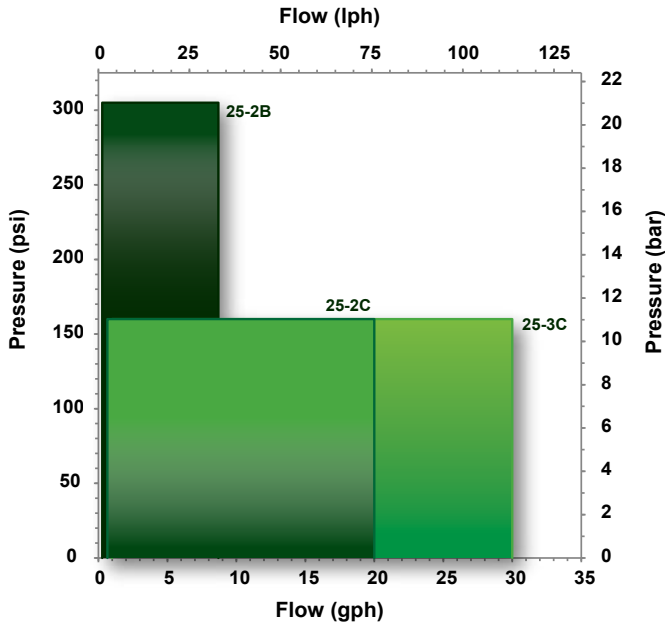
- PULSAIarm<sup>®</sup>
  - ♦ Pressure based
  - ♦ IP66 NEMA Type 7/4X

### Duplex configurations

### PULSAR Shadow HYPOPump

- The solution for injection of sodium hypochlorite and other off gassing fluids
- Fully integrated closed loop design, no external valves or piping required
- Balanced, low stress, dynamic seal ensures extended operating life
- 3 year HYPO valve warranty

## Flow & Pressure Envelope by Stroke Length/Diaphragm Size (Code)



### Features & Benefits

- Mechanically actuated diaphragm for simple maintenance
- Four bolt tie bar design provides ultimate resistance to piping moments and forces
- Three component check valves for controlled rise, assuring proper valve operation, extended valve seat life, and metering accuracy
- Manual self-locking stroke length adjustment with resolution of 0.5% for set point accuracy

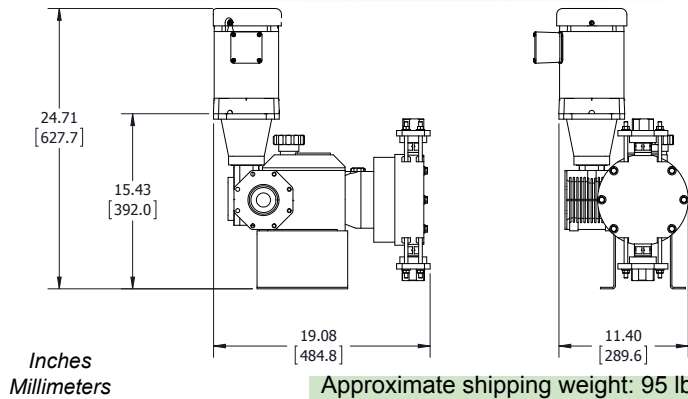
### Specifications

Materials	316LSS, PVC	Max temp	150°F (65°C)
Diaphragm type	Flat	Min temp	40°F (4.4°C)
Motor power	up to 0.75 hp (0.55 kW)	Accuracy	±2%
Motor frame	NEMA 56C, IEC 71B14, 80B14	Standards	CE, ATEX

### Custom Engineering

- Compatible materials: PVDF
- Multiplex configurations
- Manual Degass Valve
- Custom electronic controls
- Chemical feed systems
- Application consulting

### Dimensions



Approximate shipping weight: 95 lb. (43 kg.)

The dimensions given may differ depending on pump configuration.

**For More Information, Contact Your Authorized Pulsafeeder Engineered Products Representative**



**Pulsafeeder Engineered Products**  
 2883 Brighton Henrietta Town Line Rd.  
 Rochester, NY 14623  
 Phone: +1 (585) 292-8000  
 pulsa@idexcorp.com • [pulsa.com](http://pulsa.com)

Pulsafeeder is an ISO 9001:2008 and 14001:2004 certified company.

© Copyright 2014 Pulsafeeder. All rights reserved.

**Spec Pulsafeeder.**  
**Get more than you expect.**

