

# **PULSAFEEDER**<sup>®</sup> ENGINEERED PRODUCTS

## R1

## PULSA Series<sup>®</sup>

Our time proven PULSA Series<sup>®</sup> R1 is a leak-free, hydraulically balanced diaphragm metering pump. It is engineered for precise dosing and long-term dependability to deliver superior value. Our unique HYDRAcone<sup>®</sup> head design, along with a variety of wet end materials, offers a diverse range of fluid handling solutions. PULSA Series R1 is commonly used for applications in industries such as petrochemical, water & wastewater treatment, and agriculture.



### Applications

corrosion inhibitors, slurries, pH and odor control, fertilizers, pesticides



### Flow

up to 25.6 gph (97 lph)



### Pressure

1200 psi (83 bar)



### Temperature

up to 180°F (82°C)



API-675 • CE • ATEX

## Hydraulic diaphragm metering delivers more than you expect.

### Standard materials of construction

- Wet end: 316LSS, GF-PPL
- Diaphragm: Elastomeric
- Pump body: Cast Aluminum
- Valve ball: 316LSS, Alumina Ceramic
- Valve gaskets: PTFE

### Connection types

- NPT

### Controls

- VFD - speed

### Engineered Design

- Self-priming
- Vertical mount motor
- Compact
- High performance hydraulics with mechanical refill system
- Weather resistant gear box
- Indefinite dry run operation
- Flooded lubrication for long component life

### HYDRAcone<sup>®</sup> design

- The solution for difficult suction lift conditions
- Ideal for sheer sensitive and high viscosity fluids
- Outstanding hydraulic performance
- Straight flow-through path
- Optional slurry valves
- Head: 316LSS, GF-PPL
- Elastomeric HYDRAcone

## Specifications

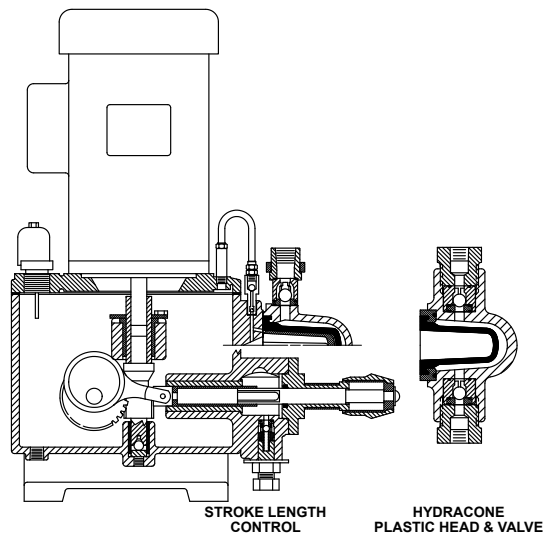
Materials	316LSS, GF-PPL
Diaphragm type	Cone
Motor power	up to 0.25 hp (0.18 kW)
Motor frame	NEMA 56C, IEC 71B14
Max temp	180°F (82°C)
Min temp	40°F (4.4°C)
Accuracy	±1%
Turndown	10:1
Standards	API-675, CE, ATEX

## Features & Benefits

- Full motion hydraulic bypass stroke length control yields 0-100% linear flow adjustment over a 10:1 turndown range
- Hydraulically balanced diaphragm for long life and reduced service costs
- HYDRAcone® provides outstanding suction lift
- Proven hydraulic bypass management system assures performance and rapid recovery from system upsets
- Material options for safety, durability and chemical compatibility
- Easy maintenance KOPkit® (Keep on Pumping kit) saves time and money

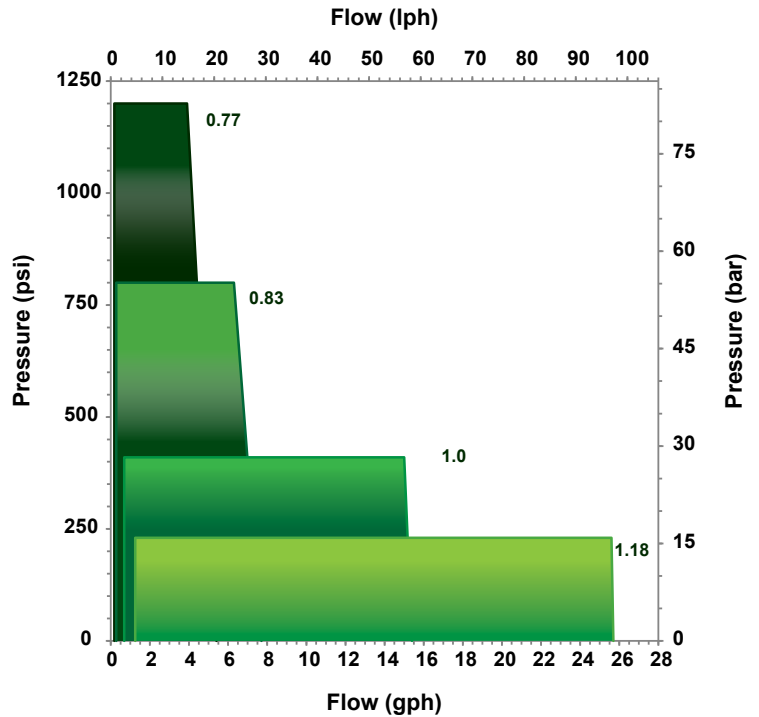
## Custom Engineering

- Compatible materials: Alloy C, Alloy 20, Monel, DuplexSS
- Degassing valve
- Chemical feed systems
- Application consulting

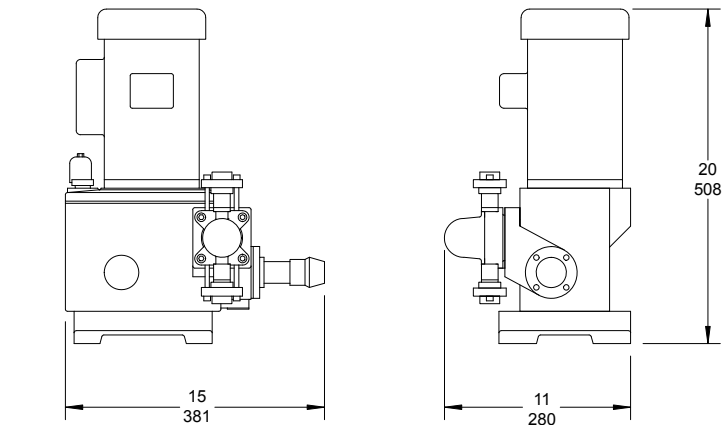


**Spec Pulsafeeder.**  
Get more than you expect.

## Flow & Pressure Envelope by Piston Size (inches)



## Dimensions



Inches  
Millimeters

Approximate shipping weight: 85 lb (39 kg)

*The dimensions shown may differ depending on pump configuration.*

**For More Information, Contact Your Authorized Pulsafeeder Engineered Products Representative**



**Pulsafeeder Engineered Products**  
2883 Brighton Henrietta Town Line Rd.  
Rochester, NY 14623  
Phone: +1 (585) 292-8000  
pulsafeeder@idexcorp.com • [pulsafeeder.com](http://pulsafeeder.com)

*Pulsafeeder is an ISO 9001:2008 and 14001:2004 certified company.*

© Copyright 2014 Pulsafeeder. All rights reserved.

