

25 Metallic

ECLIPSE®

Eclipse pumps represent a dramatic advance in pump technology. Combining proven design principles with state-of-the-art engineering; it is the most reliable, simple, and intuitive pump on the market today. Service only takes minutes, thus reducing process downtime and maintenance costs. It is commonly used for applications in industries such as chemical processing, petrochemical, and water treatment.



Applications

pH control, odor control, acids, caustics, hydrogen peroxide, ammonia



Flow

up to 7.4 gpm (28 lpm)



Differential Pressure

up to 150 psi (10 bar)



Temperature

up to 150°F (66°C)
up to 200°F (93°C) with deration



HOUSING	316LSS	ALLOY C
MAGNET	Neodymium in 316LSS welded	Neodymium in Alloy C welded
GEARS & LINER	Carbon Reinforced PTFE	Carbon Reinforced PTFE
SHAFTS	316LSS or Alumina ceramic	Alloy C or Alumina ceramic
BEARINGS	Carbon Graphite or Graphite-impregnated Silicon carbide	Carbon Graphite or Graphite-impregnated Silicon carbide
O-RINGS	PTFE	PTFE

ECLIPSE® 25 Metallic

Specifications

Gear type	External spur gear
Bearing type	Sleeve bearing
Max differential pressure	150 psi (10 bar)
Max flow	7.4 gpm (28 lpm)
Max temp	up to 150°F (66°C), up to 200°F (93°C) with deration
Min temp	-40°F (-40°C)
Motor frame size	NEMA 56C, 143/5TC IEC 80, 90 B3/B14
Standards	ATEX, CE
Viscosity	10,000 cPs

Features & Benefits

- Available in 316LSS or Alloy C for chemical resistance
- Magnetically driven, eliminating the need for costly mechanical seals
- Patented renewable housing liner reduces repair costs
- One-piece gear and shaft assembly eliminates common gear failures at the keyway
- Designed for easy maintenance

Zero Leakage

- Sealless design
- Zero emissions of hazardous or regulated chemicals

Built for the harshest environments

- Ideal fit for many medium to highly corrosive liquids
- Fully encapsulated magnets
- Superior chemical resistance

Ease of maintenance

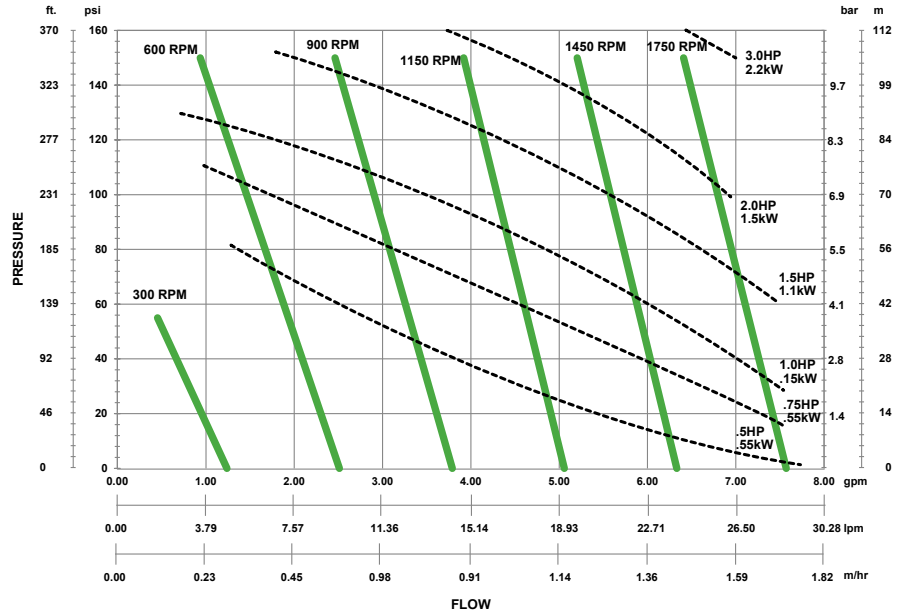
- Front pull-out design
- Quick and easy service
- Piping and electrical stay in place
- Reduced downtime
- More production
- KOPkit® (Keep on Pumping kit) saves time and money
- Simplified orders and inventory

Controls

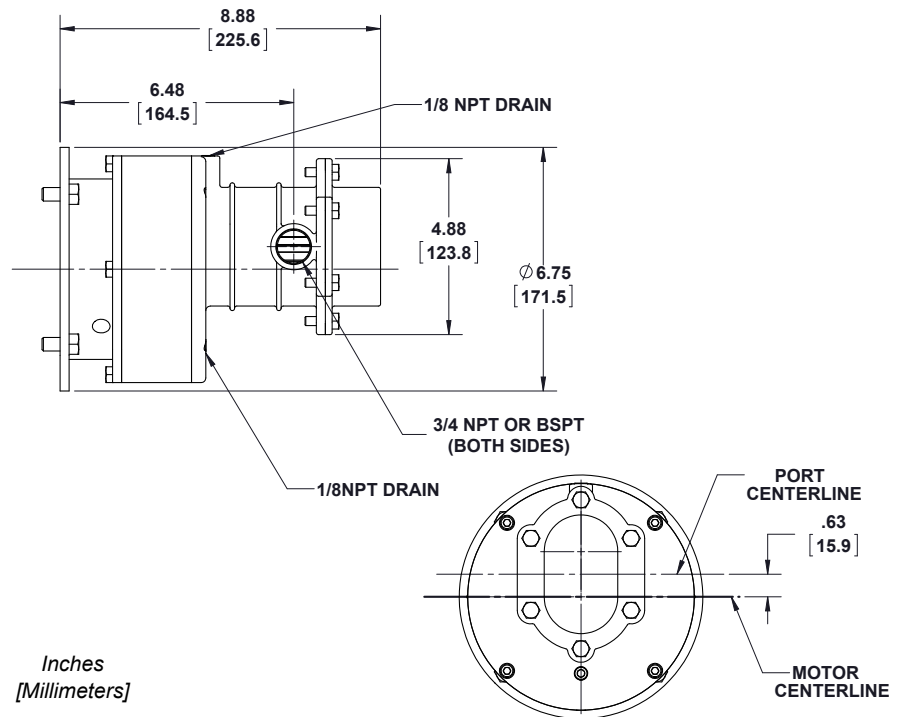
- VFD: motor speed
- RV Controller: intelligent motor speed

Spec Pulsafeeder.
Get more than you expect.

Performance (Inlet: 3/4" NPT, Outlet: 3/4" NPT, 1 cPs)



Dimensions



Inches
[Millimeters]

The dimensions shown may differ depending on pump configuration.

For More Information, Contact Your Authorized Pulsafeeder Engineered Products Distributor

Pulsafeeder Engineered Products
2883 Brighton Henrietta Town Line Rd.
Rochester, NY 14623
Phone: +1 (585) 292-8000
pulsafeeder@idexcorp.com • pulsafeeder.com

Pulsafeeder is an ISO 9001:2008 and 14001:2004 certified company.

