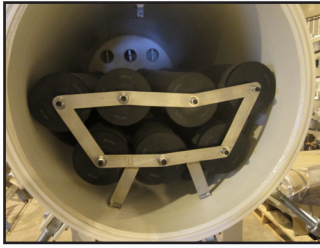


## Pressure Vessel Fabricators

- Coalescer Vessels
- Deaerators
- Multimedia Filters
- Cartridge Filter Vessels
- Bag Filter Vessels
- Strainers
- Skid Mounted Systems



### Coalescer Vessels - Oil & Water Separators

A Coalescer is a technological device performing coalescence, primarily used to separate emulsions into their components. There are two types of Coalescers - Mechanical and Electrostatic. MDA is a manufacturer of the Mechanical Coalescer. In the area of compressed air purification, Mechanical Coalescing Filters are used to separate liquid water and oil from compressed air using a coalescing effect.

These filters additionally remove particles. The most commonly used media in this case is Borosilicate Micro-Fiber.

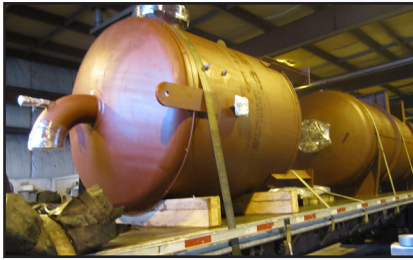
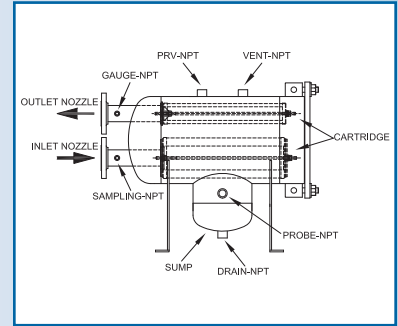
**Pressure:** 150 to 3000 PSI

**Flow Rate:** Up to 3000 USGPM

**Diameter:** 8" to 48"

**Installation:** Vertical - with drain pipe | Horizontal - with sump

**Materials of Construction Include:** Carbon Steel with internal epoxy | Stainless Steel SS 304/304L  
Stainless Steel SS 316/316L | Aluminium



### Deaerators

A Deaerator is a device that is widely used for the removal of oxygen and other dissolved gases from steam-generating boilers' feedwater. In particular, dissolved oxygen in boiler feedwater will cause serious corrosion damage in steam systems by attaching to the walls of metal piping and other metallic equipment and forming oxides (rust).

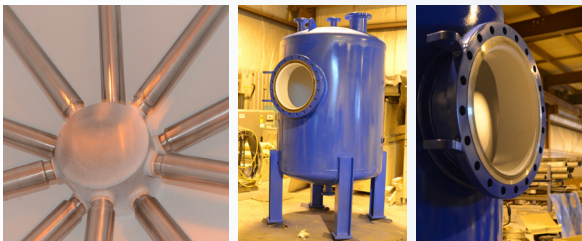
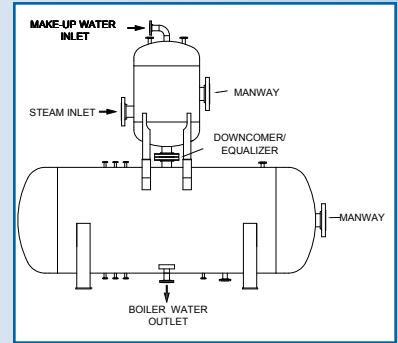
Dissolved carbon dioxide combines with water to form carbonic acid that causes further corrosion. Most deaerators are designed to remove oxygen down to levels of 7 ppb by weight (0.005 cm<sup>3</sup>/L) or less as well as essentially eliminating carbon dioxide. There are two basic types of deaerators, the tray-type and the spray-type. MDA is a manufacturer of both types.

**Pressure:** 30 to 3000 PSI

**Diameter:** 48" to 120"

**Installation:** Horizontal

**Materials of Construction Include:** Carbon Steel | Stainless Steel SS 304/304L  
Stainless Steel SS 316/316L



### Multimedia / Sand Filters

Multimedia/Sand Filters are widely used for water purification to remove undesirable chemicals, biological contaminants, suspended solids and gases from contaminated water. Multimedia

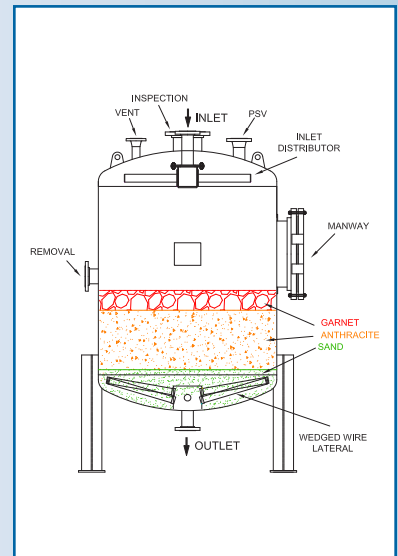
filtration refers to a pressure filter vessel which utilizes three types of media (anthracite, sand and garnet) as opposed to a "sand filter" that typically uses one grade of sand alone as the filtration media.

**Pressure:** 50 to 3000 PSI

**Diameter:** Up to 96"

**Inlet/Outlet:** Up to 12"

**Materials of Construction Include:** Carbon Steel | Stainless Steel SS 304/304L  
Stainless Steel SS 316/316L





### Cartridge Filter Vessels

MDA Cartridge Filter Vessels are available in single, duplex, and multi-cartridge configurations capable of holding up to 120 or more cartridges. Cartridge filters are usually disposable but they are also available in washable metal media. Cartridges are available in 10" to 60" length. They come in 2-1/2", 4" or 7" diameter. End configuration of cartridges can be either double open end (DOE) or single open end with flat closed end or with a fin. Open end can be with 222 or 226 style O ring. Cartridges are available in 0.25um to 150um and can be nominal or absolute rated for particle removal efficiency.

Pressure: 100 to 3000 PSI

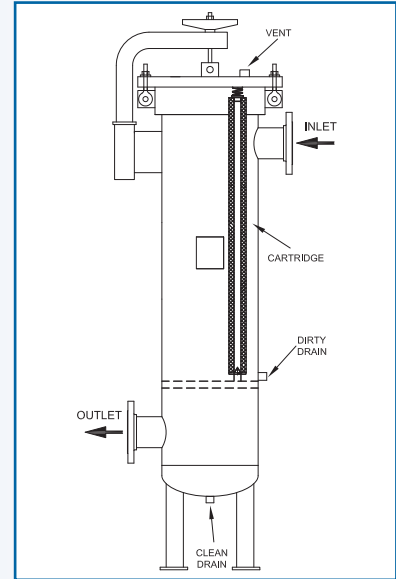
Flow Rate: Up to 3000 USGPM

Diameter: Up to 48"

Installation: Vertical | Horizontal

Materials of Construction Include: Carbon | Stainless Steel SS 304/304L

Stainless Steel 316/316L | Duplex Steel | Aluminium | Other Alloys e.g. Titanium, Hastalloy, etc.



### Bag Filter Vessels

MDA Bag Filter Vessels are available for single, duplex, and multi-bag configurations capable of holding up to 48 or more bags. Bag filters are fabric filters designed primarily to remove particulate material from fluids. Some bag filters can also absorb oil and can remove non-emulsified oil. Bags are both depth and surface filters and available in both nominal and absolute rating. Bags can be sewn or welded. Single bag housings can accommodate bags of any diameter and length. However multi-bag vessels are made to accommodate P2 or # 2 size bags which are 7" (D) X 32" (L). Filter bags are available in 1.0 um to 1000 um rating.

Pressure: 100 to 3000 PSI

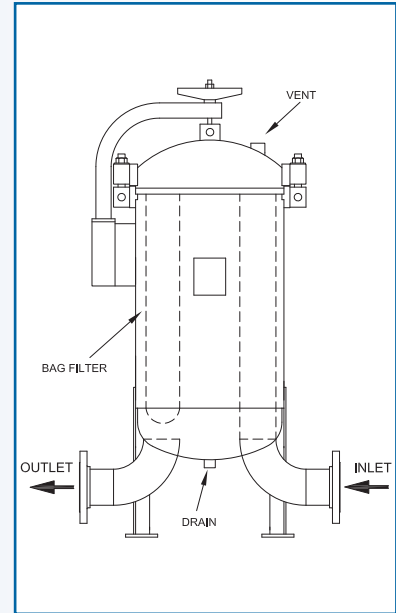
Flow Rate: Up to 3000 USGPM

Diameter: Up to 72"

Installation: Vertical | Horizontal

Materials of Construction Include: Carbon | Stainless Steel SS 304/304L

Stainless Steel 316/316L | Duplex Steel | Aluminium | Other Alloys e.g. Titanium, Hastalloy, etc.



### Strainers

Strainers are used normally for the protection of pipeline and process equipment installed downstream of the strainer. The equipment protected by our strainers is generally more expensive than the total installation cost of a strainer. Also this equipment is critical to the pipeline or process operation. Strainers use perforated and/or wire mesh media for straining purposes. Strainer sizing and selection are critical to ensure your cleaning cycle time, particle size retention and pressure drop requirements are achieved. The basic types of Strainers are Basket type, T-Type, Y-Type, Temporary Strainer, and Duplex Strainer System.

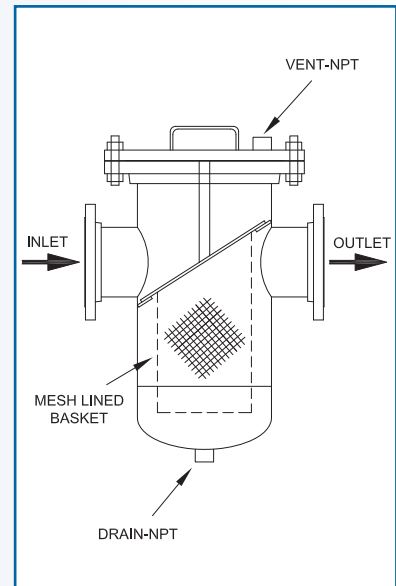
Pressure: 50 to 3000 PSI

Diameter: Up to 96"

Inlet/Outlet: Up to 12"

Materials of Construction Include: Carbon Steel | Stainless Steel SS 304/304L

Stainless Steel SS 316/316L





Fuel Transfer Skid



Duplex Automatic Filter Skid



Duplex Automatic Strainer Skid

## Customized Skid Mounted Systems

MDA Filtration Inc. is quick to adapt new technologies to meet the marketplace demands. We provide reliable filtration systems.

Dedicated and enthusiastic craftsmen are eager to share their experience with the customer. MDA can provide solutions in filter configurations to meet specific filtration design needs. We specialize in weld overlays of prefabricated components for use in corrosive and erosive environments.

We can read premature filter failure signs through testing that determines fabric degradation caused by thermal exposure, chemical attack, abrasion, or cleaning inefficiencies. The use of filters has grown over the past several years as engineers recognize that filtration can eliminate complicated gating systems and prevents inclusions from occurring.

Often filters operate under conditions that are different from those for which the original system was designed. By providing system performance valuations, MDA offers designed equipment solutions for various applications. We can manufacture filtration that can dispense all types of materials for long-term solutions.

Expertise is applied to every manufacturing phase to ensure maximum performance. We monitor progress throughout the process by inspecting and testing, while documenting results with each project. We supply filtration through the region and have world-wide imports and exports.

For over 25 years, MDA Filtration Inc. has been involved in production and world-wide distribution of high rate industrial and environmental filtration systems.

Strategically located in the industrial sector of Ontario, Canada - MDA Filtration Inc. is near major transportation networks which allow for quick service and delivery.

Please contact us through our website: [www.mdafiltration.com](http://www.mdafiltration.com)

Email us at: [info@mdafiltration.com](mailto:info@mdafiltration.com)



MDA Filtration Inc. - a subsidiary of JOHN BROOKS COMPANY LIMITED  
180 Turnbull Crt., Cambridge, ONT CANADA N1T 1J2  
Phone: 519-623-7445 | Fax: 519-622-8733  
[www.mdafiltration.com](http://www.mdafiltration.com)