

# FINZ™

## High Impact Fan Air Nozzle



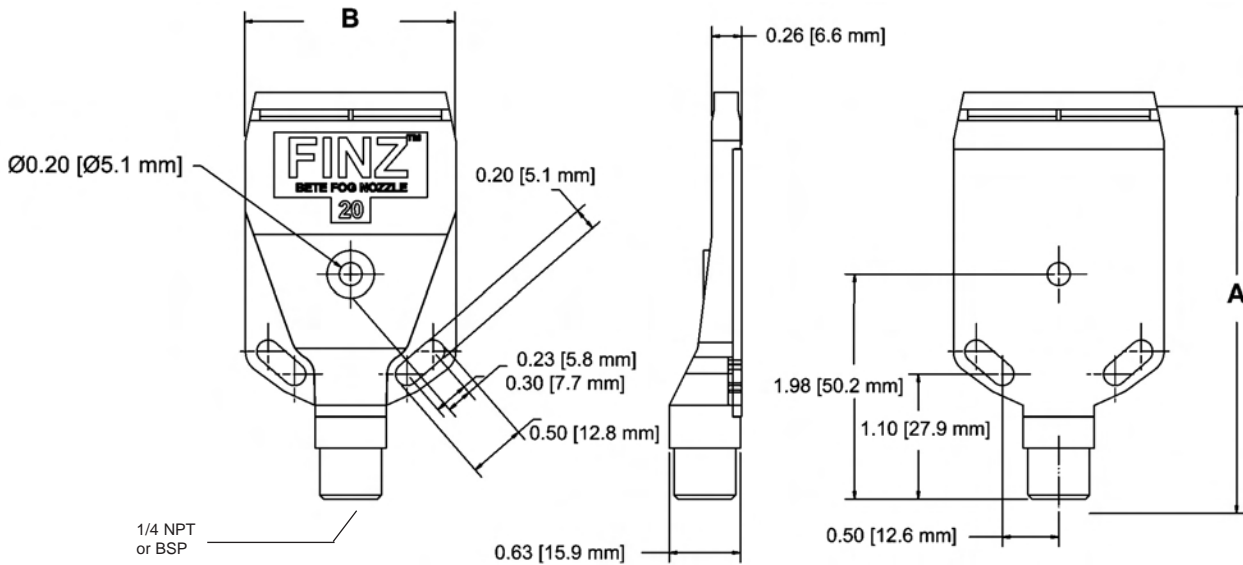
### DESIGN FEATURES

- Controlled wide uniform distribution and high impact coverage of compressed air
- Can be mounted individually or side-by-side for greater coverage
- Efficient air flow with unique eductor feature
- Safe operation—meets OSHA specifications for noise and deadhead pressure
- 1/4" male connection is molded to fit either NPT or BSP
- Up to 2 dB quieter than competing designs

- Rugged construction of Ryton® or ABS plastic. Ryton® rated to 300°F at 40 psi
- Maximum operating pressure 100 psi

### SPRAY CHARACTERISTICS

**Spray pattern:** Fan  
**Air Flow Rates:** 4 to 41 SCFM at 10 to 90 psi



Dimensions are approximate. Check with BETE for critical dimension applications.

### FINZ High Impact Air Nozzle

Male NPT BSP	Nozzle Number	Air Capacity SCFM				Approx. Dim. in.		Wt. (oz.)
		10 PSI	30 PSI	60 PSI	90 PSI	A	B	
1/4"	FZ20	4	8	12	16	3.58	1.85	1.0
	FZ29	7	13	21	28			
	FZ41	9	18	30	41			

Standard Materials: Ryton® and ABS plastic.

Ryton is a trademark of Phillips Petroleum company

SPECIAL PURPOSE

TO ORDER: specify pipe size, connection type, nozzle number and material.