

EZ TF WL WT

EZ Change Quick Connection System

DESIGN FEATURES

- Nozzles can be changed in seconds without tools
- Three part nozzle, base, gasket and interchangeable tip
- Exclusive ramped engagement for efficient, automatic alignment
- Threaded adapters will accommodate other standard BETE nozzles. Shut-off plugs are also available
- Sanitary EZs are available with weld connection and no knurling

SPRAY CHARACTERISTICS

- Available in six standard tips: EZTF; EZWL; EZWT; EZFF; EZNF; EZSPN

Flow rates: 0.04 to 58.4 gpm

Spray Angle:

EZTF: 60°, 90° and 120° (Full or Hollow Cone, please specify when ordering), 150° & 170° (Full Cone only), 180° (Hollow Cone only)

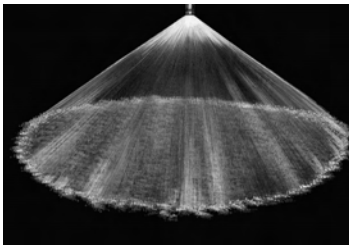
EZWL: 30°, 60°, 90°, 120°

EZWT: 70° and 110°

See pages 92 and 93 for more EZ



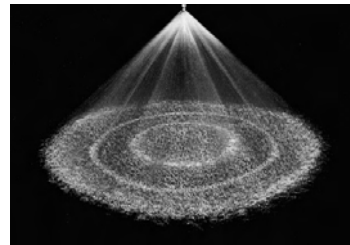
EZTF



120° Full Cone



120° Hollow Cone



90° Full Cone Spiral

Dimensions are approximate. Check with BETE for critical dimension applications.

EZTF Flow Rates and Dimensions

Full or Hollow Cone Spiral 60° (NN or V), 90° (FCN or M), 120° (FC or W), 150°, 170° or 180° (XW) Spray Angle 1/8" to 1/2" Pipe Sizes

Pipe Size	Nozzle Number	K Factor	GALLONS PER MINUTE @ PSI											Approx. Orifice Dia. (in.)	Approx. Assembly Dim. (in.)		Wt. (oz.)	
			5 PSI	10 PSI	20 PSI	30 PSI	40 PSI	60 PSI	80 PSI	100 PSI	200 PSI	400 PSI	500 PSI		Hex	Length		
1/8" TO 1/2"	EZTF6	0.221	0.49	0.70	0.99	1.21	1.40	1.71	1.98	2.21	3.13	4.43	4.94	0.09	1/8"	0.88	2.41	2.2
	EZTF8	0.411	0.92	1.30	1.84	2.25	2.60	3.18	3.68	4.11	5.81	8.22	9.19	0.13				
1/4" TO 1/2"	EZTF10	0.632	1.41	2.00	2.83	3.46	4.00	4.90	5.66	6.32	8.94	12.6	14.1	0.16	1/4"	0.88	2.53	2.2
	EZTF12	0.949	2.12	3.00	4.24	5.20	6.00	7.35	8.49	9.49	13.4	19.0	21.2	0.19				
1/4" TO 1/2"	EZTF14	1.28	2.86	4.05	5.73	7.01	8.10	9.92	11.5	12.8	18.1	25.6	28.6	0.22	3/8"	0.88	2.59	2.6
	EZTF16	1.68	3.76	5.30	7.50	9.18	10.6	13.0	15.0	16.8	23.7	33.5	37.6	0.25				
1/2"	EZTF20	2.61	5.83	8.25	11.7	14.3	16.5	20.2	23.3	26.1	36.9	52.2	58.4	0.31	1/2"	0.88	2.65	2.6

Flow Rate (GPM) = $K\sqrt{PSI}$

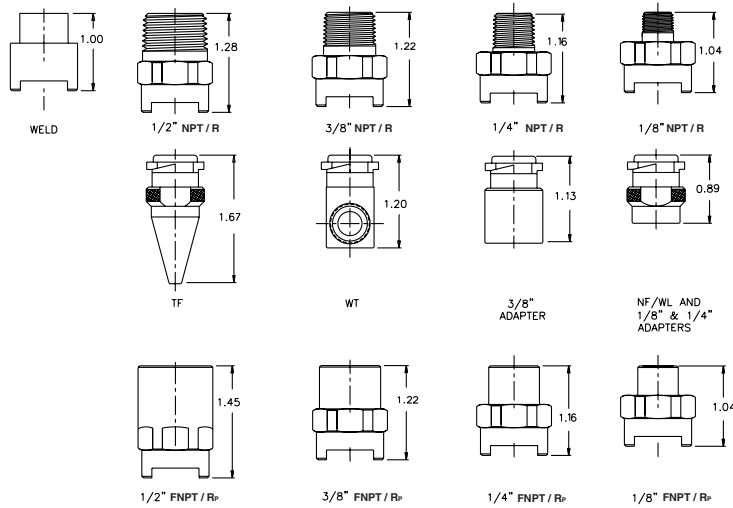
TF14-TF20 not available with 1/8" base

Standard Materials: Brass, and Viton gaskets standard. 316 Stainless Steel available upon request.

Spray angle performance varies with pressure. Contact BETE for specific data on critical applications.

SPECIAL PURPOSE

TO ORDER: specify pipe size, connection type, nozzle number, spray angle, and material.



Dimensions are approximate. Check with BETE for critical dimension applications.

EZWL Flow Rates and Dimensions

Full Cone Whirl 30°, 60°, 90°, 120° Spray Angle 1/8" to 1/2" Pipe Sizes

Pipe Size	Nozzle Number	K Factor	GALLONS PER MINUTE @ PSI											Approx. Orifice Dia. (in.)	Approx. Assembly Dim. (in.)		Wt. (oz.)	
			5 PSI	10 PSI	20 PSI	30 PSI	40 PSI	60 PSI	80 PSI	100 PSI	200 PSI	400 PSI	500 PSI		Length	Hex		
1/8"	EZWL 1/4	0.044	0.09	0.13	0.18	0.22	0.25	0.30	0.35	0.38	0.53	0.74	0.82	0.043	1/8"	0.88	1.63	2.2
	EZWL 1/2	0.088	0.19	0.26	0.36	0.44	0.50	0.60	0.69	0.77	1.07	1.48	1.64	0.055				
	EZWL 3/4	0.132	0.28	0.39	0.54	0.66	0.75	0.91	1.04	1.15	1.60	2.21	2.46	0.072				
TO	EZWL1	0.177	0.38	0.52	0.72	0.87	1.00	1.21	1.39	1.54	2.13	2.95	3.28	0.082	1/4"	0.88	1.75	2.2
	EZWL 1 1/2	0.265	0.56	0.78	1.08	1.31	1.50	1.81	2.08	2.31	3.20	4.43	4.92	0.109	3/8"	0.88	1.81	2.6
1/2"	EZWL2	0.353	0.75	1.04	1.44	1.75	2.00	2.42	2.77	3.08	4.26	5.90	6.56	0.125				
	EZWL3	0.530	1.13	1.56	2.17	2.62	3.00	3.63	4.16	4.61	6.39	8.85	9.83	0.156				
	EZWL4	0.706	1.51	2.08	2.89	3.49	4.00	4.84	5.54	6.15	8.52	11.8	13.1	0.188	1/2"	0.88	1.87	2.9
	EZWL5	0.883	1.88	2.26	3.61	4.37	5.00	6.05	6.93	7.69	9.31	10.6	14.8	0.203				
	EZWL6	1.06	2.26	3.13	4.33	5.24	6.00	7.26	8.31	9.23	11.2	12.8	17.7	0.219				

Flow Rate (GPM) = K (PSI)^{0.47}

Note: Square pattern also available

Standard Materials: 303 Stainless Steel, 316 Stainless Steel, Brass, and Viton gaskets standard.

EZWT Flow Rates and Dimensions

Hollow Cone, Narrow (70°) and Wide (110°) Spray Angles 1/8" to 1/2"

Pipe Size	Nozzle Number	K Factor	GALLONS PER MINUTE @ PSI											Approx. Orifice Dia. (in.)	Assembly Dim. (in.)		Wt. (oz.)
			5 PSI	10 PSI	20 PSI	40 PSI	60 PSI	80 PSI	100 PSI	200 PSI	400 PSI	500 PSI	Length		Hex		
1/8"	EZWT10	0.0158	0.04	0.05	0.07	0.10	0.12	0.14	0.16	0.22	0.32	0.35	0.03	1/8"	0.88	1.99	2.2
	EZWT12	0.0190	0.04	0.06	0.08	0.12	0.15	0.17	0.19	0.27	0.38	0.42	0.03				
	EZWT18	0.0285	0.06	0.09	0.13	0.18	0.22	0.25	0.28	0.40	0.57	0.64	0.05				
	EZWT20	0.0316	0.07	0.10	0.14	0.20	0.24	0.28	0.32	0.45	0.63	0.71	0.06				
	EZWT27	0.0427	0.10	0.14	0.19	0.27	0.33	0.38	0.43	0.60	0.85	0.95	0.05				
	EZWT35	0.0553	0.12	0.18	0.25	0.35	0.43	0.49	0.55	0.78	1.11	1.24	0.06				
	EZWT40	0.0632	0.14	0.20	0.28	0.40	0.49	0.57	0.63	0.89	1.26	1.41	0.08				
	EZWT42	0.0664	0.15	0.21	0.30	0.42	0.51	0.59	0.66	0.94	1.33	1.48	0.06				
	EZWT48	0.0759	0.17	0.24	0.34	0.48	0.59	0.68	0.76	1.07	1.52	1.70	0.06				
	EZWT50	0.0791	0.18	0.25	0.35	0.50	0.61	0.71	0.79	1.12	1.58	1.77	0.08				
TO	EZWT53	0.084	0.19	0.27	0.37	0.53	0.65	0.75	0.84	1.19	1.68	1.87	0.11	1/4"	0.88	2.11	2.2
	EZWT60	0.095	0.21	0.30	0.42	0.60	0.73	0.85	0.95	1.34	1.90	2.12	0.09				
	EZWT68	0.108	0.24	0.34	0.48	0.68	0.83	0.96	1.08	1.52	2.15	2.40	0.13				
	EZWT70	0.111	0.25	0.35	0.49	0.70	0.86	0.99	1.11	1.57	2.21	2.47	0.09				
	EZWT80	0.126	0.28	0.40	0.57	0.80	0.98	1.13	1.26	1.79	2.53	2.83	0.08				
	EZWT100	0.158	0.35	0.50	0.71	1.00	1.22	1.41	1.58	2.24	3.16	3.54	0.13				
1/2"	EZWT130	0.206	0.46	0.65	0.92	1.30	1.59	1.84	2.06	2.91	4.11	4.60	0.13	3/8"	0.88	2.17	2.6
	EZWT150	0.237	0.53	0.75	1.06	1.50	1.84	2.12	2.37	3.35	4.74	5.30	0.22				
	EZWT160	0.253	0.57	0.80	1.13	1.60	1.96	2.26	2.53	3.58	5.06	5.66	0.16				
	EZWT180	0.285	0.64	0.90	1.27	1.80	2.20	2.55	2.85	4.02	5.69	6.36	0.17				
	EZWT200	0.316	0.71	1.00	1.41	2.00	2.45	2.83	3.16	4.47	6.32	7.07	0.22				
	EZWT220	0.348	0.78	1.10	1.56	2.20	2.69	3.11	3.48	4.92	6.96	7.78	0.22				
	EZWT240	0.379	0.85	1.20	1.70	2.40	2.94	3.39	3.79	5.37	7.59	8.49	0.20				
	EZWT260	0.411	0.92	1.30	1.84	2.60	3.18	3.68	4.11	5.81	8.22	9.19	0.22				
	EZWT270	0.427	0.95	1.35	1.91	2.70	3.31	3.82	4.27	6.04	8.54	9.55	0.22				
	EZWT280	0.443	0.99	1.40	1.98	2.80	3.43	3.96	4.43	6.26	8.85	9.90	0.20				
1/2"	EZWT300	0.474	1.06	1.50	2.12	3.00	3.67	4.24	4.74	6.71	9.49	10.6	0.25	1/2"	0.88	2.23	2.9
	EZWT340	0.538	1.20	1.70	2.40	3.40	4.16	4.81	5.38	7.60	10.8	12.0	0.28				
	EZWT350	0.553	1.24	1.75	2.47	3.50	4.29	4.95	5.53	7.83	11.1	12.4	0.23				
	EZWT400	0.632	1.41	2.00	2.83	4.00	4.90	5.66	6.32	8.94	12.7	14.1	0.25				

Flow Rate (GPM) = K √PSI

Standard Materials: 303 Stainless Steel, 316 Stainless Steel, Brass, and Viton gaskets standard.

Spray angle performance varies with pressure. Contact BETE for specific data on critical applications.