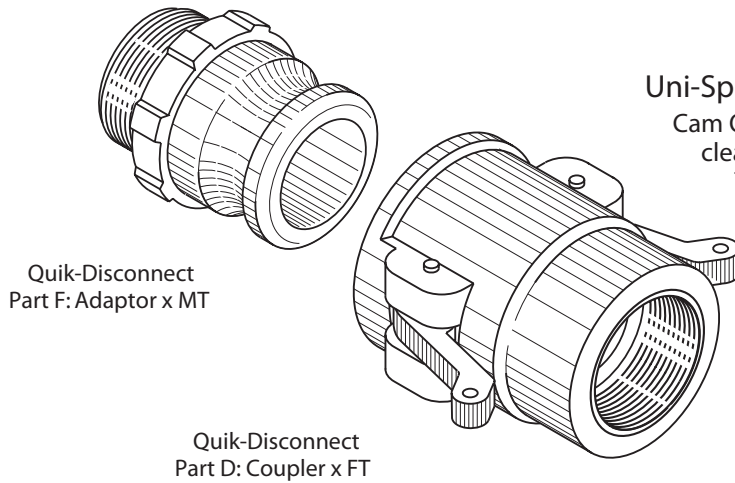


UNI-SPRAY

- QUIK-DISCONNECT SELECTION GUIDE -



Uni-Spray Quik-Disconnect...

Cam Operated Couplings provide easy access for the cleaning and installation of pipe risers.

They adapt to standard steel or non-corrosive risers and headers in sizes from 1" (25 mm) to 4" (100 mm), and are available in Ny-Glass, Poly-Glass or PVDF.

To make up a Quik-Disconnect junction...

you must have one female connector assembly (Part "B", "C", or "D") which incorporates the cam-lock arms, and one male connector (Part "A", "E", or "F") which is specially shaped to precisely fit into the socket on the mating part and be held securely against the sealing gasket by the unique cam-lock mechanism.

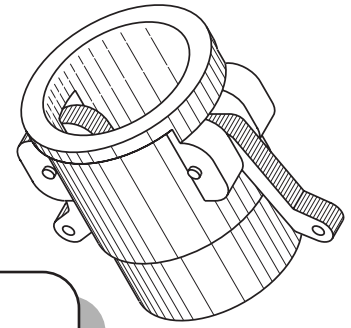
The female connectors connect to your pipe system by an external NPT thread (Part "B"), an internal NPT thread (Part "D"), or by a hose barb (Part "C"). The male connectors likewise connect to your pipes by an internal NPT thread (Part "A"), by an external thread (Part "F"), or by a hose barb (Part "E"). And, to cap off any section which terminates with a female connector, use the available plug (Part "DP"). The Quik-Disconnects can be combined with our Clamp-On Nozzles and Nozzle Adapters, Quik-Lock Formed Risers and Headers, Quik-Release Riser Supports, and Ball Valves to make up complete spray header systems which provide unparalleled ease of installation and use.

To increase the value of your investment in Uni-Spray Quik-Disconnect couplings, we provide a complete line of replacement parts for the Assemblies. It is no longer necessary to discard an entire Assembly just because one part is broken. Refer to the following pages for complete information and specifications on the full Quik-Disconnect line.

All Quik-Disconnect plastic components are colour-coded for convenient identification, and are available to fit the following pipe sizes:

		Poly-glass	Ny-glass	PVDF
1 inch	25mm	Black	Yellow	White
1 1/4inch	32mm	Red	Yellow	White
1 1/2 inch	40mm	Purple	Yellow	White
2 inch	50mm	Black	Yellow	White
3 & 4 inch	75 & 100 mm	Black	Yellow	White

QUIK-DISCONNECT ORDERING INSTRUCTIONS



How To Order A Quik-Disconnect Coupler or Adaptor:

The complete Part Number tells us exactly what assembly you want.

For example, let's say that you want to order a cam-operated Part D: Coupler x FT (Female Thread) molded in Poly-Glass, to fit on a 3 inch pipe:

Step 1:

The Part Number begins with 'UNI' and the Pipe Size, as follows:

'UNI 100' = 1 inch pipe
'UNI 125' = 1-1/4 inch pipe
'UNI 150' = 1-1/2 inch pipe
'UNI 200' = 2 inch pipe
'UNI 300' = 3 inch pipe
'UNI 400' = 4 inch pipe

... so in our example, we would have so far...

'UNI 300 ...'

Step 2:

Identify the style of component as shown on the last page, using our Part Code, which in this example is our Part D, and we have...

'UNI 300 D...'

Step 3:

Finish the Part Number with the Material Code, as follows:

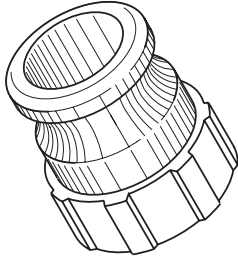
'NG' = Ny-Glass
'PG' = Poly-Glass
'K' = PVDF

So, in our example, we end up with...

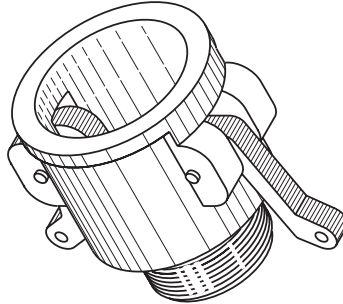
'UNI 300 DPG'

QUIK-DISCONNECT COUPLINGS and ADAPTORS

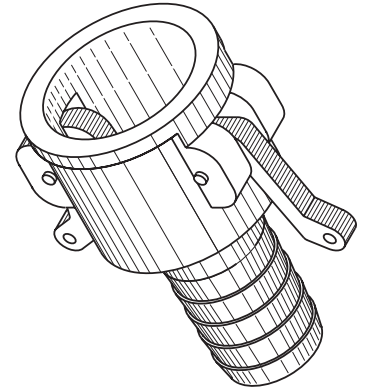
Note: 1-1/4" through 1-1/2" Parts "B", "C", "D" and "DC" Assemblies will be shipped with Ny-Glass Arms unless Stainless Steel Arms are requested. Assemblies are supplied complete with clips.



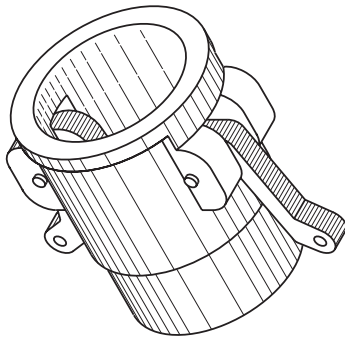
Part A:
Adaptor x FT



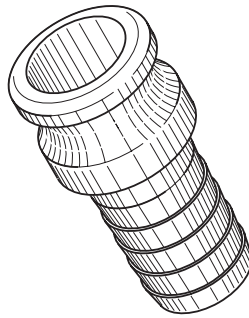
Part B:
Coupler x MT



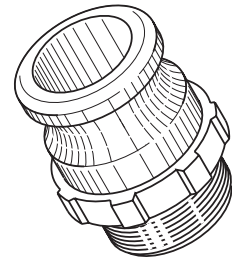
Part C:
Coupler x Hose Barb



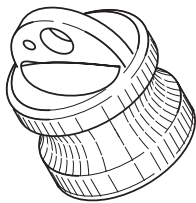
Part D:
Coupler x FT



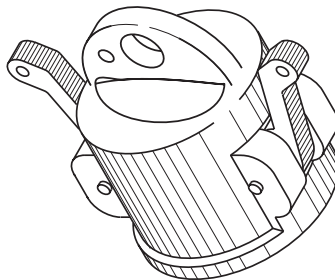
Part E:
Apaptor x Hose Barb



Part F:
Apaptor x MT

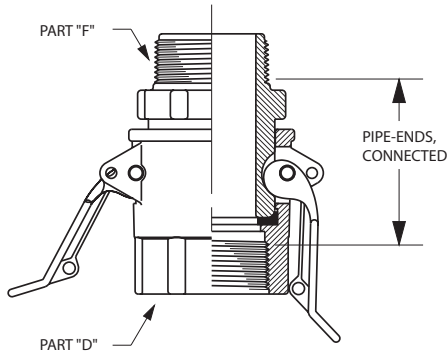


Part DP:
Plug



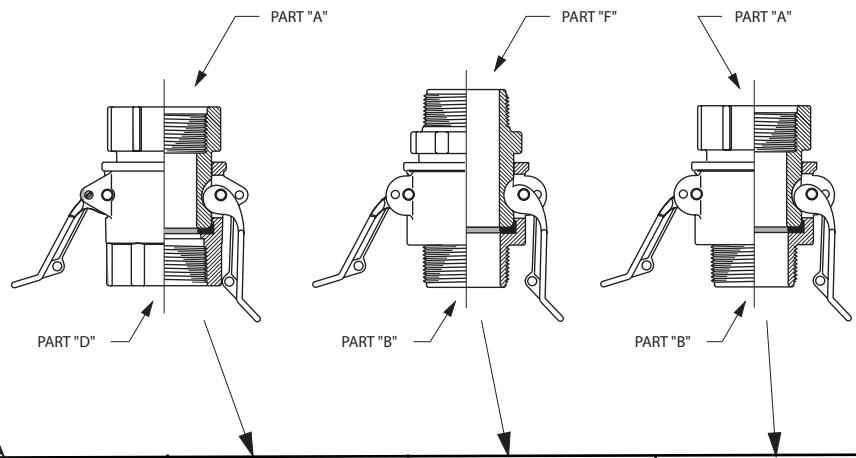
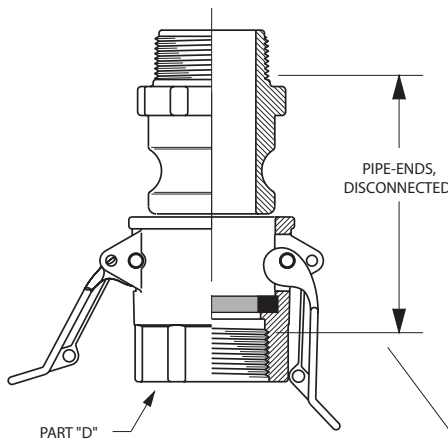
Part DC:
Cap

QUIK-DISCONNECT PIPE-END SEPARATION DISTANCES



The Pipe-End Separation is the distance between the pipe ends being connected by means of the QUIK-DISCONNECT couplings.

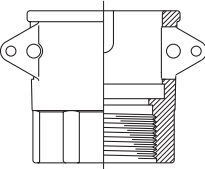
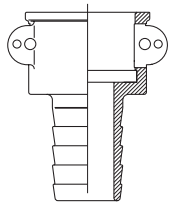
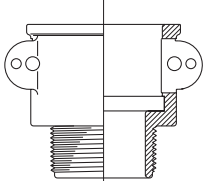
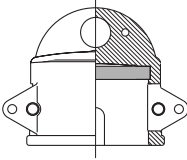
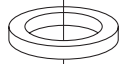
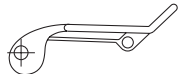

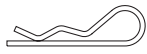

The separation distance is given both for when the couplers are engaged, as well as the minimum distance required for disconnecting, assuming complete pipe thread engagement.



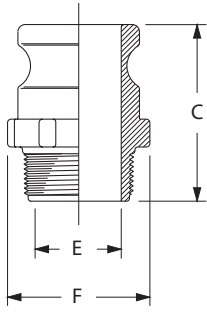
PIPE SIZE		"D" to "F"	"D" to "A"	"B" to "F"	"B" to "A"
1"	CONNECTED	2.320	1.460	5.000	4.250
	DISCONNECTED	3.500	2.640	6.250	5.500
1 1/4"	CONNECTED	2.680	2.240	4.625	4.250
	DISCONNECTED	4.060	3.660	5.875	5.625
1 1/2"	CONNECTED	2.440	1.970	4.625	4.250
	DISCONNECTED	3.860	3.390	5.875	5.625
2"	CONNECTED	2.720	2.280	5.625	5.000
	DISCONNECTED	4.450	4.020	7.250	6.750
3"	CONNECTED	5.375	5.875	5.000	5.750
	DISCONNECTED	7.000	7.250	6.500	7.250
4"	CONNECTED	7.125	7.125	7.125	7.500
	DISCONNECTED	8.875	8.875	8.875	9.250

QUIK-DISCONNECT REPLACEMENT PARTS:

To order spare parts for your Assemblies, use the Parts Guide below...

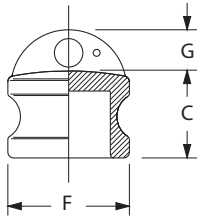
COMPONENT	1" / 25 mm	1-1/4" / 32 mm	1-1/2" / 40 mm	2" / 50 mm	3" / 75 mm	4" / 100 mm
	UNI 100 DNG-B UNI 100 DPG-B UNI 100 DK-B	UNI 125 DNG-B UNI 125 DPG-B UNI 125 DK-B	UNI 150 DNG-B UNI 150 DPG-B UNI 150 DK-B	UNI 200 DNG-B UNI 200 DPG-B UNI 200 DK-B	UNI 300 DNG-B UNI 300 DPG-B (n/a)	UNI 400 DNG-B UNI 400 DPG-B (n/a)
PART 'D' BODY: 'NY-GLASS' or 'POLY-GLASS' 	UNI 100 CNG-B UNI 100 CPG-B UNI 100 CK-B	UNI 125 CNG-B UNI 125 CPG-B UNI 125 CK-B	UNI 150 CNG-B UNI 150 CPG-B UNI 150 CK-B	UNI 200 CNG-B UNI 200 CPG-B UNI 200 CK-B	UNI 300 CNG-B UNI 300 CPG-B (n/a)	UNI 400 CNG-B UNI 400 CPG-B (n/a)
PART 'C' BODY: 'NY-GLASS' or 'POLY-GLASS' 	UNI 100 BNG-B UNI 100 BPG-B UNI 100 BK-B	UNI 125 BNG-B UNI 125 BPG-B UNI 125 BK-B	UNI 150 BNG-B UNI 150 BPG-B UNI 150 BK-B	UNI 200 BNG-B UNI 200 BPG-B UNI 200 BK-B	UNI 300 BNG-B UNI 300 BPG-B (n/a)	UNI 400 BNG-B UNI 400 BPG-B (n/a)
PART 'B' BODY: 'NY-GLASS' or 'POLY-GLASS' 	UNI 100 DCNG-B UNI 100 DCPG-B UNI 100 DCK-B	UNI 125 DCNG-B UNI 125 DCPG-B UNI 125 DCK-B	UNI 150 DCNG-B UNI 150 DCPG-B UNI 150 DCK-B	UNI 200 DCNG-B UNI 200 DCPG-B UNI 200 DCK-B	UNI 300 DCNG-B UNI 300 DCPG-B (n/a)	UNI 400 DCNG-B UNI 400 DCPG-B (n/a)
PART 'DC' BODY: 'NY-GLASS' or 'POLY-GLASS' 	UNI G 1	UNI G 2	UNI G 3	UNI G 4	UNI G 5	
GASKET, EPDM 	(n/a)	UNI AP 1	UNI AP 2	(n/a)		
CAM-LOCK ARM, 'NY-GLASS' 	UNI AS	UNI AS 2	UNI AS	UNI AS 4		
CAM-LOCK ARM, 302 SS 	UNI C 1	UNI C 2	UNI C 3	UNI R 1(RING, 302 SS)		
SPRING CLIP, 302 SS 	UNI P 1	UNI P 2	UNI P 3	UNI P 4		
PIN, 302 SS						

QUIK-DISCONNECT DIMENSIONS



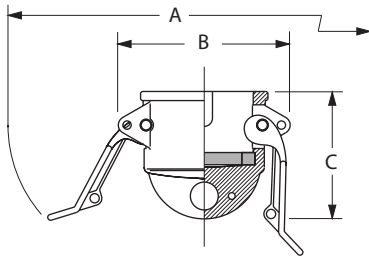
Part F:
Adaptor x MT

SIZE CODE: Part F	100	125	150	200	300	400
Size of Thread	1	1 1/4	1 1/2	2	3	4
C Overall Length	2 11/16	3 1/8	3 1/8	3 1/2	3 15/16	4 9/16
D Exposed Length	1 7/8	2 1/8	2 1/8	2 5/16	2 3/4	3 3/16
E Minimum I.D.	7/8	1 5/16	1 7/16	1 7/8	2 3/4	3 7/8
F Maximum O.D.	1 11/16	2 9/16	2 9/16	3 1/16	4 3/16	5 3/16



Part DP:
Plug

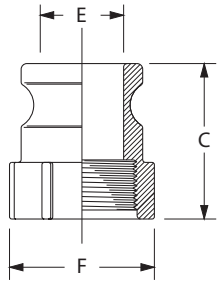
SIZE CODE: Part DP	100	125	150	200	300	400
Nominal Pipe Size	1	1 1/4	1 1/2	2	3	4
C Overall Length	1 3/8	1 7/16	1 7/16	1 15/16	2 1/16	2 3/16
G Lug Extension	3/8	7/16	7/16	3/8	1/2	1/2
F Maximum O.D.	1 7/16	2 1/8	2 1/8	2 1/2	3 5/8	4 11/16



Part DC:
Cap

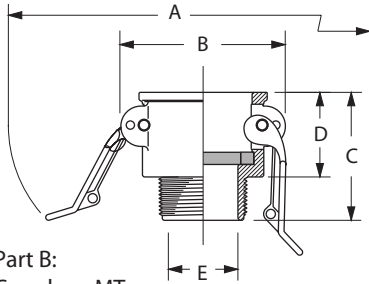
SIZE CODE: Part DC	100	125	150	200	300	400
Nominal Pipe Size	1	1 1/4	1 1/2	2	3	4
A O.D. with Arms Out	4 3/4	8 3/16	8 3/16	8 11/16	9 15/16	11 1/16
B Maximum O.D.	2 1/2	3 3/4	3 3/4	4 1/16	5	6 9/16
C Overall Length	1 5/8	1 15/16	1 15/16	2 3/16	2 3/8	2 1/2
G Lug Extension	3/8	3/8	3/8	5/16	5/8	9/16

QUIK-DISCONNECT DIMENSIONS



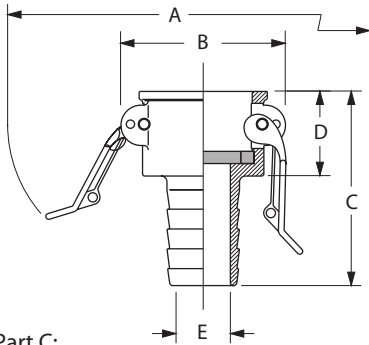
Part A:
Adaptor x FT

SIZE CODE: Part A	100	125	150	200	300	400
Size of Thread	1	1 1/4	1 1/2	2	3	4
C Overall Length	1 7/8	2 3/4	2 3/4	2 15/16	2 15/16	3 3/4
E Minimum I.D.	13/16	1 7/16	1 7/16	1 11/16	2 13/16	3 3/4
F Maximum O.D.	1 3/4	2 1/2	2 1/2	3 1/16	4 3/16	5 1/4



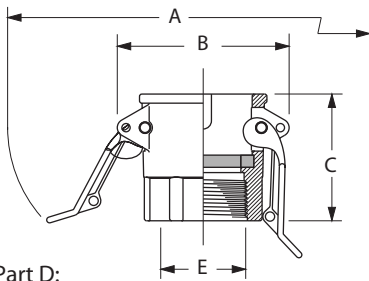
Part B:
Coupler x MT

SIZE CODE: Part B	100	125	150	200	300	400
Size of Thread	1	1 1/4	1 1/2	2	3	4
A O.D. with Arms Out	4 3/4	8 3/16	8 3/16	8 11/16	9 15/16	11 1/16
B Maximum O.D.	2 1/2	3 3/4	3 3/4	4 1/16	5	6 9/16
C Overall Length	2 1/2	2 3/4	2 3/4	3 1/4	3 5/16	3 15/16
D Exposed Length	1 9/16	1 7/8	1 7/8	2 1/8	2 3/8	2 9/16
E Minimum I.D.	7/8	1 5/16	1 1/2	1 7/8	2 7/8	3 7/8



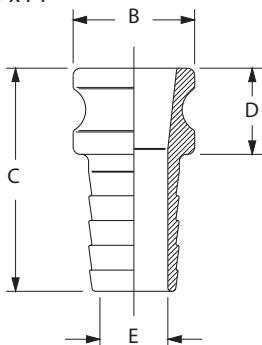
Part C:
Coupler x Hose Barb

SIZE CODE: Part C	100	125	150	200	300	400
Size of Hose Barb	1 1/16	1 3/8	1 9/16	2 1/16	3	4
A O.D. with Arms Out	4 3/4	8 3/16	8 3/16	8 11/16	9 15/16	11 1/16
B Maximum O.D.	2 1/2	3 3/4	3 3/4	4 1/16	5	6 9/16
C Overall Length	3 13/16	4 1/4	4 1/4	4 15/16	6 5/16	6 1/4
D Exposed Length	1 9/16	1 7/8	1 7/8	2 1/8	2 3/8	2 9/16
E Minimum I.D.	13/16	15/16	1 3/16	1 5/8	2 9/16	3 1/2



Part D:
Coupler x FT

SIZE CODE: Part D	100	125	150	200	300	400
Size of Thread	1	1 1/4	1 1/2	2	3	4
A O.D. with Arms Out	4 3/4	8 3/16	8 3/16	8 11/16	9 15/16	11 1/16
B Maximum O.D.	2 1/2	3 3/4	3 3/4	4 1/16	5	6 9/16
C Overall Length	2 7/16	2 3/4	2 3/4	3 1/4	3 1/4	4
E Minimum I.D.	1	1 1/2	1 5/8	1 11/16	2 7/8	3 7/8



Part E:
Adaptor x Hose Barb

SIZE CODE: Part E	100	125	150	200	300	400
Size of Hose Barb	1	1 7/16	1 7/16	1 7/16	1 7/16	1 7/16
B Maximum O.D.	1 7/16	1 7/16	1 7/16	1 7/16	1 7/16	1 7/16
C Overall Length	3 9/16	1 7/16	1 7/16	1 7/16	1 7/16	1 7/16
D Exposed Length	1 5/16	1 7/16	1 7/16	1 7/16	1 7/16	1 7/16
E Minimum I.D.	13/16	1 7/16	1 7/16	1 7/16	1 7/16	1 7/16