

SUMMIT™

2175

2175



Stock/Process Pump



SUMMIT™ PUMP

Stock/Process Pump Model 2175

Applications

Pulp & Paper
cleaners
filtrate
liquor
screen rejects

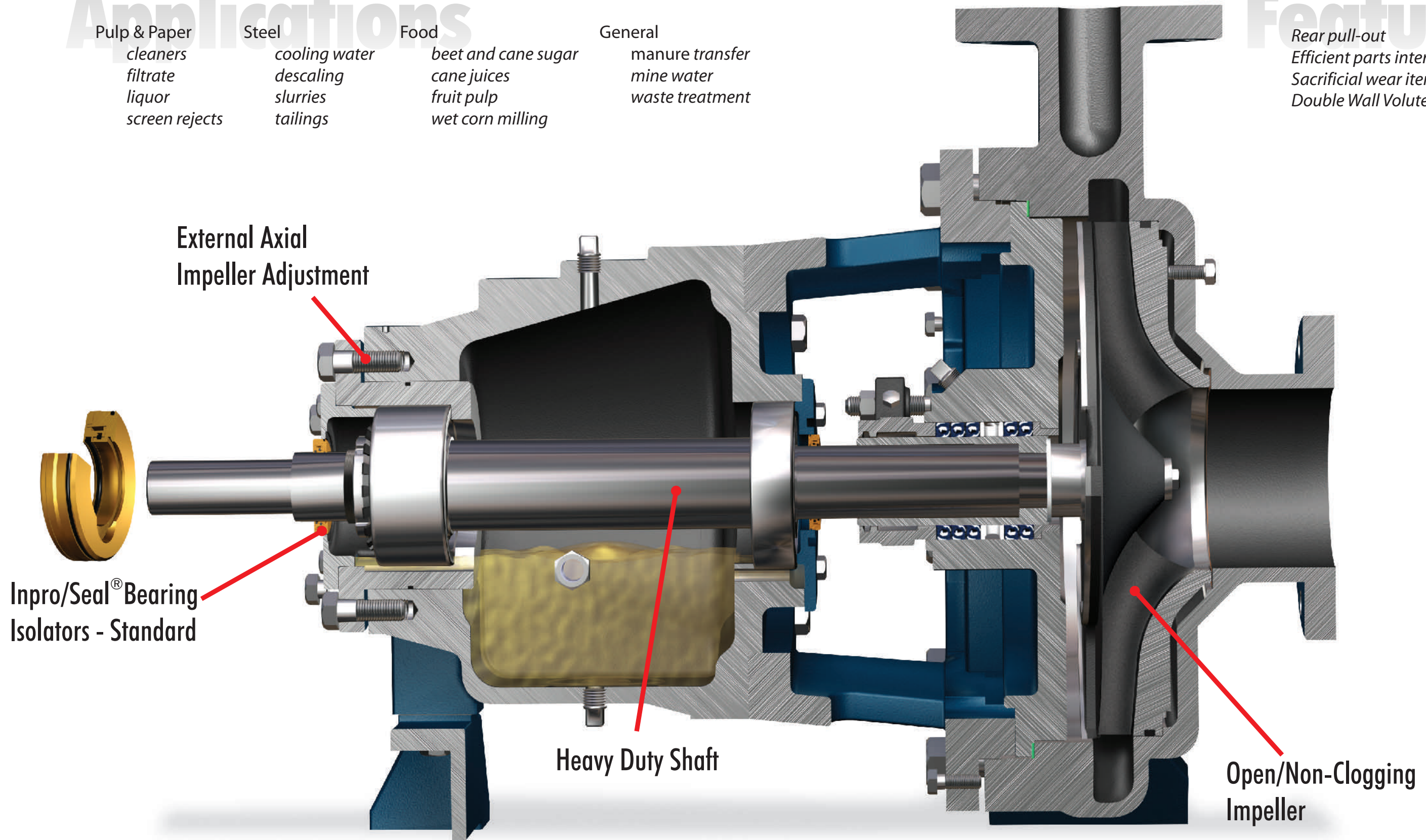
Steel
cooling water
descaling
slurries
tailings

Food
beet and cane sugar
cane juices
fruit pulp
wet corn milling

General
manure transfer
mine water
waste treatment

Features

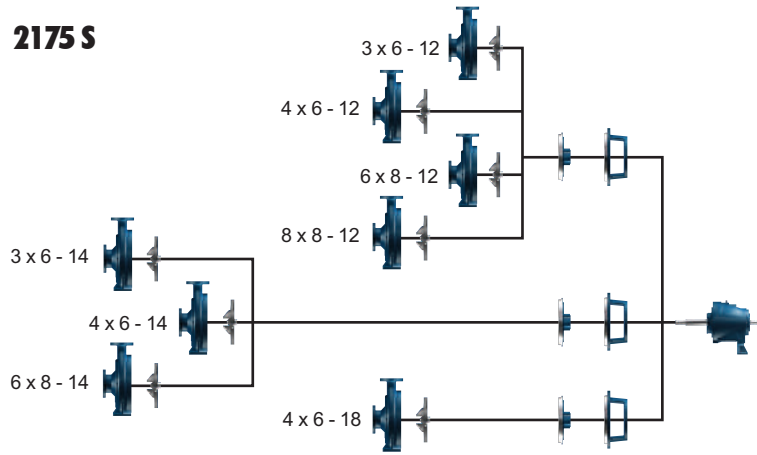
Rear pull-out
Efficient parts interchangeability
Sacrificial wear items
Double Wall Volute on Larger Sizes



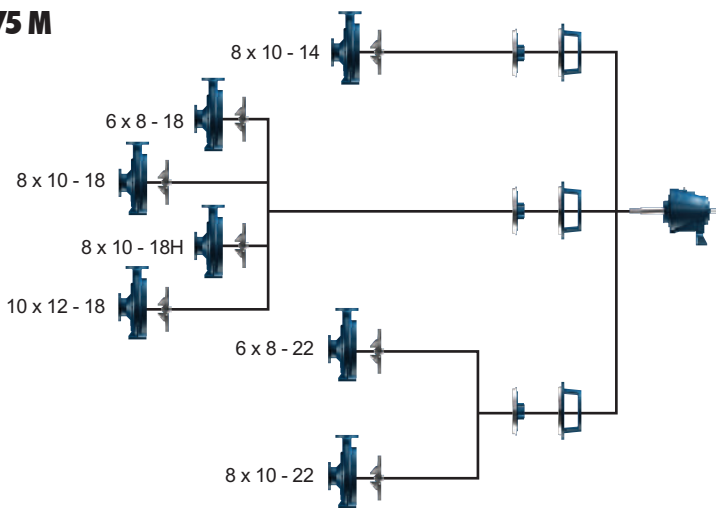
Model 2175

Interchangeability and Dimensional Data

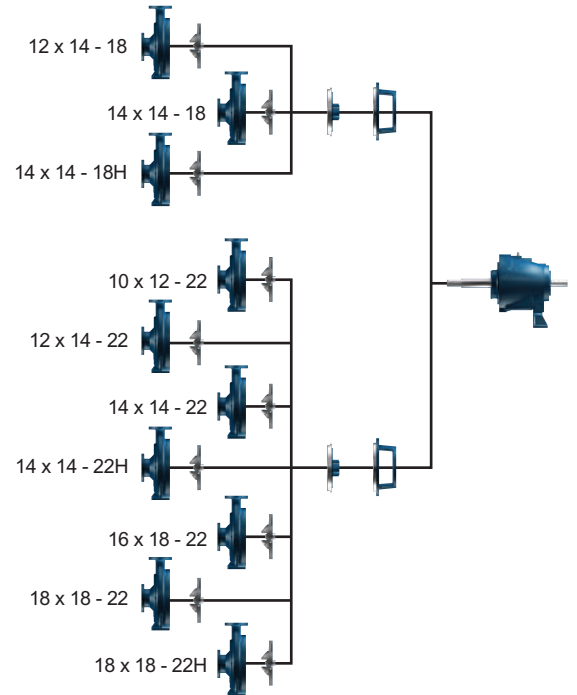
2175 S



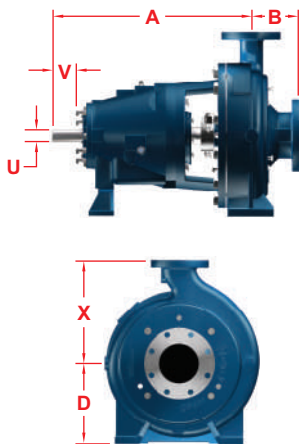
2175 M



2175 L



PUMP DIMENSIONS



Pump Frame	Pump Size	Dis.	Suc.	X	D	B	A	Shaft		
								U	Key	V
S	3X6-12	3	6	13	12.50	7.25	32.50	1.875	1/2	4.87
	4X6-12	4	6	14.5						
	6X8-12	6	8	16						
	8X8-12	8	8	19	14.50	8.12	33.00			
	3X6-14	3	6	13	12.50	7.25	32.50			
	4X6-14	4	6	14.5						
	4X6-18	4	6	16						
6X8-14	6	8	16	2.375	5/8	5.00				
6X8-18	6	8	18				14.50	8.12	33.00	
6X8-22	6	8	21				17.00			
8X10-14	8	10	19				14.50			
8X10-18	8	10	21				17.00			
8X10-18H	8	10	21							
8X10-22	8	10	23							
10X12-18	10	12	23	20.00	3.375	7/8	5.50			
10X12-22	10	12	25	20.00				8.12	33.00	
12X14-18	12	14	25							
12X14-22	12	14	27							
14X14-18	14	14	27	22.00				8.87	33.62	
14X14-18H	14	14	27							
14X14-22	14	14	30							
14X14-22H	14	14	30	28.00	12.75	34.68				
16X18-22	16	18	32		9.87	33.62				
18X18-22	18	18	34							
18X18-22H	18	18	34		16.62					